

(18)

Electrical Work Estimate For Construction of Public Toilet Block at Khal bandh, near HUP Houseing Ward no 11 within Tarakeswar Municipality

(67)

No. Of seat - Male - (W.C. -2 + Urinal -3) & Female - (W.C. -2 + Urinal -2) = Total (W.C. -4 & Urinal -5)

Rate As per PWD Electrical Works (Volume 1) With effect from 01.11.2017, WB I & WD & UD & MA schedule

Sl. No.	Item Description & Item No.	Quantity	Rate	Unit	Ammount
1	Distribution wiring in 1.1 KV grade 2x22/0.3 (1.5 sqmm) single core stranded 'FR' PVC insulated & unsheathed copper wire (Brand approved by EIC) in suitable size PVC casing-capping (Precision make) with 1x22/0.3 (1.5 sqmm) single core stranded 'FR' PVC insulated & unsheathed copper wire for ECC, incl. necy. PVC clips, fittings etc. to light/fan/call bell point with piano key type switch (Anchor make) fixed on sheet steel fabricated switch board with Perspex/bakelite top cover on wall incl. necy. connections and making earthing attachment and mending good damages to building works. (Rigid conduit) [PVC casing-capping and Switch board both on surface] Average run 5 mtr (PWD sch P- E-11, I-2,a)	29 17	577.00 612	Point	16733.00 10404.00
2	Distribution Wiring in 1.1 KV grade 2x22/0.3 (1.5 sqmm) single core stranded 'FR' PVC insulated & unsheathed copper wire (Brand approved by EIC) in suitable size PVC casing-capping (Precision make) with 1x22/0.3 (1.5 sqmm) single core stranded 'FR' PVC insulated & unsheathed copper wire for ECC, incl. necy. PVC clips, fittings etc. to 5A 3 pin flush type plug socket with piano key type switch (Anchor make) fixed on sheet steel fabricated CRC MS switch board with bakelite/perspex (wall matching color) top cover of 3 mm thick flushed in wall by housing the board after cutting brick wall incl. necy. connection making earthing attachment, painting and mending good damages to building works [PVC casing-capping and plug box both on surface] (Rigid conduit) On Board (only for pay counter) [PWD Schedule Page No-E-12; I-6]	1	67.00	Point	67.00
3	Supplying and fixing Sheet steel Main Switches on flat iron frame on wall 240V DP with fuse on L&N 32 A [Make- Havells 30ma Rec B (Legrand)] [PWD Schedule Page No-D-1 Item No-1(a)] 92	1	1277.00 5942	Nos	1277.00 5942.00
4	Wiring in 1.1 KV grade single core stranded 'FR' PVC insulated & unsheathed copper wire (Brand approved by EIC) of following sizes in 25mm PVC casing-capping Rigid (Precision make) incl. necy. PVC clips, fittings etc. 2 x 36/0.3 (2.5 sqmm) + 1 x 22/0.3 (1.5 sqmm) ECC Conduit [PWD Schedule Page No-E-11 Item No-1c]	42 20	102.00 119	mtr	4284.00 2380.00
5	Supplying and fixing double-door SPN MCB Distribution Board with IP-42/43 protection, concealed in wall after cutting the wall & mending good the damages to original finish incl. Inter connection with suitable size of copper wire and neutral link & provision for earthing attachment. a) For (2+4 way) (Make - Havells) [PWD Schedule Page No-D-9; Item No-13]	1	935.00	Nos	935.00

6	Supplying and fixing 240/415 V MCB of Breaking capacity 10kA & C characteristics on din rail of existing DBs and necessary connection 6-32A SP MCB (Make -Havells) [PWD Schedule Page No-D-6;Iteam No-7]	4	168.00	Nos	672.00
7	Supplying and fixing 240/415 V MCB Isolator on din rail of existing DBs and necessary connection. 32A DP MCB Isolator (Make -Havells) [PWD Schedule Page No-D-5;Iteam No-6]	1	208.00	Nos	208.00
8	Supply of TMC501 conventional industrial batten philips LED Tube,model no- TMC501 P1xT-LED 22W P3241 (WB I & WD schedule P-113, I- 5:3 F.22)	9 4	451.00	Nos	4059.00 1804.00
9	Fixing only single/twin flurosent light fitting complete with all accessories directly on wall/ceiling by screws etc.. [PWD Schedule Page No-C-2;Iteam No-14a]	9 4	86.00	Nos	774.00 344.00
10	Supply & fixing Bulk head light fittings with die cast aluminium housing frosted/clear glass on wall/ceiling incl S/F 9 watt LED Lamp complete set. [Make - Havells] (PWD sch - Page--D-13, I-23)	9 6	644.00 654.00	Nos	5796.00 3924.00
11	Supply & fixing smart bright street light complete with all accessories to be fixed from the wall of building or on pole incl. making holes /providing clamping arrangement & necy. GI reducer as required.S&F 40 mm GI Pipe 1.5 mtr average length & s&f necy length of 1.5 sqmm pvc insulated single core copper wire & making connections as required & mending good damages incl wall paingting. (30 Watt) (Make - Bajaj) [WB I&WD sch P-5:3 , I-f.9.0.2]	2 1	3016.00	Nos	6032.00 3016.00
12	Supply of 12" domestic metal exhaust fan 230V 50 Hz (Model- Trans Air 12" Grey) (Make- Crompton/Havells/Bajaj) (UD & MA schedule P-14, I-5))	4	2093.00 1863	Nos	8372.00 7452.00
13	Fixing only exhaust fan after making hole in wall and making good damages and smooth cement finish etc. as practicable as possible and providing necy. length of PVC insulated wire and making connection for exhaust of following diameter: 30 cm (12") [PWD Schedule Page No-C-4;Iteam No-28(b)]	4	329.00 247	Nos	1316.00 988.00
14	Fixing only louver shutter/cowl on wall with necy. bolts & nuts (6 mm dia x 62 mm long) For 30 cm(12") Exhaust fan [PWD Schedule Page No-C-4;Iteam No-28(b)]	4	110.00 82	Nos	440.00 328.00
15	S/F 240V 25A Modular type starter (brand approved by EIC)with 25 A. Modular switch DP MCB (C-Curve)and 4 Module G.I. Moduar type switch board with 4 Module Top Cover Plate flushed in wall incl. S/F switch board and Cover Plate and making necy. Connections with PVC Copper wire and earth connectivity wire etc. as per schedule [for Pump] [PWD Schedule Page No-E-19, Item No-17] (Please follow in details)	1	784.00	Nos	784.00
16	Supply of 240V A.C Ceiling Fan (48" sweep complete) [Make-Crompton [for counter only] (UD & MA schedule P- 23, I- 70)	1 3	2283.00	Each	6849.00 2283.00

17	Fixing only Ceiling Fan [PWD sch P- C-3, I-21(a)]	3 1	66.00	Each	66.00 198.00
18	Supply & Fixing 240 V, 20 A Piano key type switch (Brand approved by EIC) on sheet metal switch board incl. S & F 100x100x65mm MS (16SWG) switch board and bakelite/perspex top cover of 3mm thick by Brass screws after making housing for switch by cutting bakelite/perspex cover and making necessary connections as required [PWD sch P- E-6, I-17(b)]	2 1	201.00	Each	201.00 402.00
19	Supply and Fixing of 2 mm Polyvinyl glow sign board made of 22 SWG GI sheet box with 1"X1" aluminum channel for fixing the vinyl board after necessary cutting the letter as required & s/f LED tube light fittings along with all accessories. (16 sqft @495.00/sqft) (UD & MA schedule P-14, I-4)	1	7920.00	Nos	7920.00
20	Supply, and fixing of 1 HP self Priming pump: Make- KSB, Each Peribloc-1 (UD & MA Schedule P-44, I-34)	1	6377.00	Nos	6377.00
21	Earthing with 50 mm dia GI pipe 3.64 mm thick x 3.04 Mts.ng and 1 x 4 SWG GI (Hot Dip) wire (4 Mts. long), 13 mm dia x 80 mm long GI bolts, double nuts, double washers incl. S & F 15 mm dia GI pipe protection (1 Mts. long) to be filled with bitumen partly under the ground level and partly above ground level driven to an average depth of 3.65 Mts. below the ground level as below: (a) By ISI-Medium GI pipe Set PWD Elec. It No. 2(a) Page. G-1	1	1369.00	Nos	1369.00
				Sub Total of (C)	74864.00
				Add S.G.S.T. @ 9%	6737.76
				Add C.G.S.T. @ 9%	6737.76
				Cost Of Electrical Work	88339.52
				Add L.W.C. @ 1%	883.40
				Total payable Amount Including L.W.C.	89222.92
				Add Contengency @3%	2650.19
				Total payable Amount Including L.W.C. and contengency	91873.11
				Say Rs.	91873.00
In Word (Say) : Rupees Eighty Two Thousand Nine hundred Nineteen only					

Sub Assistant Engineer
Tarakeswar Municipality

ASSISTANT ENGINEER
ELECTRICAL & MECHANICAL DIVISION
SUDA

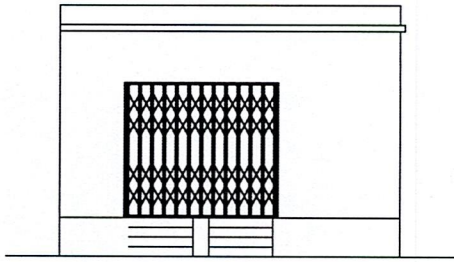
Junior Engineer
Electrical & Mechanical Division
SUDA

Technically Vetted Rs. 70,520.00
(Rupees Twenty thousand Five Hundred
Twenty only.)

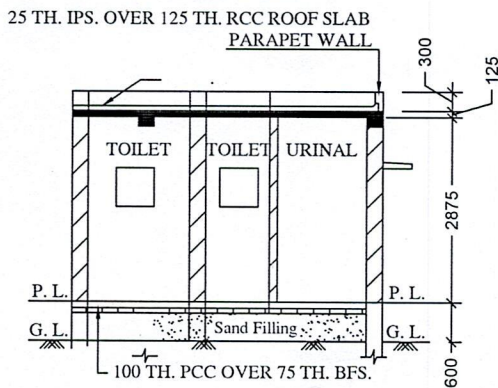
Executive Engineer (E/M)
O/O the Secretary M.E. Dte.
Government of West Bengal

CHAIRMAN
TARAKESWAR MUNICIPALITY

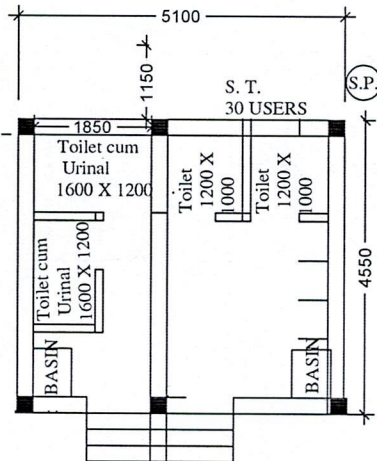
KHAL BANDH NEAR HUP HOUSING WARD NO 11



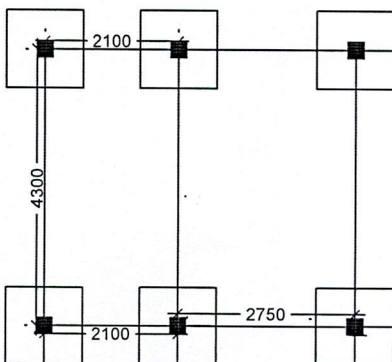
FRONT ELEVATION



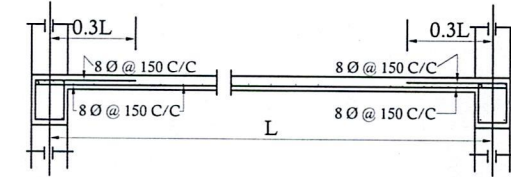
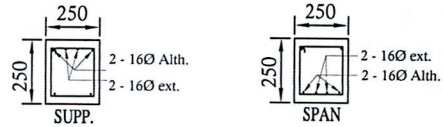
SECTION - 'A - A'



PLAN

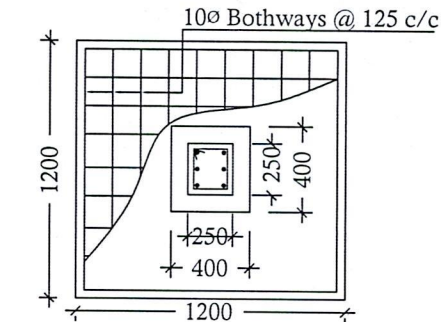
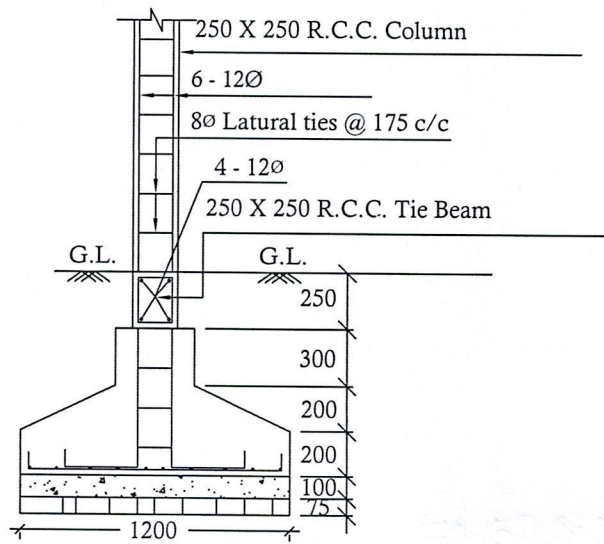


LAYOUT PLAN



Details Of R.C.C Roof Slab & Beam

(SCALE - 1 : 25)



DETAILS OF R. C. C COLUMN

(SCALE - 1 : 25)

Dr. H. K. S.
Sub Assistant Engineer
Tarakeswar Municipality

Dr. H. K. S.
TARAKESWAR MUNICIPALITY