

**OFFICE OF THE BOARD OF COUNCILLOR  
KANCHRAPARA MUNICIPALITY**

42, Netaji Subhas Path, Kanchrapara, North 24 Parganas.

**Name of work - Estimate for Electrical work of Community Toilet (Toilet seats.-4nos & Urinal.-5nos) at Kanchrapara Municipal Polytechnic High School, Ward No-06 under Kanchrapara Municipality of West Bengal ( Model - G).**

Schedule of Rates followed from : PWD and I & WD schedule.

Sl. No.	SOR Page & Item	Description of Works	Unit	Total Qty	Rate	Amount (Rs.)
1	Page No-E-14 Iteam No-2a	Distribution wiring in 2 x 22/0.3 (1.5 sqmm) single core stranded 'FR' PVC insulated & unsheathed copper wire(Brand approved by EIC) in 20mm size PVC rigid conduit 'FR' (Precision make), with 1x22/0.3 (1.5 sqmm) single core stranded 'FR' PVC insulated & unsheathed copper wire for ECC, to light/fan/call bell points with Piano Key type switchfixed on MS CRC sheet metal (16 SWG) switch board cum JB on wall complete with 2 no. suitable size "Ph & N" copper bar incl. bakelite/Perspex (wall matching color) top cover 3 mm thick and incl. 175mmx100mmx65mm inspection box, making earthing attachment, painting the MS box and mending good the damages to original finish. Average run 5 mtr	Point	17.00	612.00	10,404.00
2	Page No-E-15; I-4a	Distribution wiring in 1.1 KV grade 22/0.3 (1.5 sqmm) single core stranded 'FR' PVC insulated & unsheathed copper wire (Brand approved by EIC) in 20mm size PVC rigid conduit 'FR' (Precision make), with 1.1 KV grade 1 x 22/0.3 (1.5 sqmm) single core stranded 'FR' PVC insulated & unsheathed copper wire as ECC, to 5A 3 pin flush type plug socket & Piano Key type switch fixed on MS CRC sheet metal (16 SWG) switch board cum JB on wall incl. bakelite/Perspex (wall matching color) top cover 3 mm thick and incl. painting the MS box and mending good the damages to original finish On Board (only for pay counter)	Point	2.00	67.00	134.00
3	Legrand Page No-92	Supplying and fixing 240V 32A Double Pole AC Type 30mA RCCB.(Complete Set) (ISI marked) [Make- Legrand] (Cat No 4113/95)	Nos.	1.00	5942.00	5,942.00
4	Page No-E-14 Iteam No-1a(ii)	Distribution wiring in 1.1 KV single core stranded 'FR' PVC insulated & unsheathed copper wire (Brand approved by EIC) in 20mm size PVC rigid conduit 'FR'(Precision make) incl. necy. fittings as required 2 x 36/0.3 (2.5 sqmm) + 1 x 22/0.3 (1.5 sqmm) ECC	mtr	17.00	119.00	2,023.00
5	Page No-D-9;Iteam No 13	Supplying and fixing double-door SPN MCB Distribution Board with IP-42/43 protection, concealed in wall after cutting the wall & mending good the damages to original finish incl. Inter connection with suitable size of copper wire and neutral link & provision for earthing attachment. a) For (2+4 way) (Make -Havells) (upto 6 seats)	No	1.00	935.00	935.00
6	Page No-D-6;Iteam No 7	Supplying and fixing 240/415 V MCB of Breaking capacity 10kA & C characteristics on din rail of existing DBs and necessary connection 6-32A SP MCB (Make -Havells)	Nos	4.00	168.00	672.00
7	Page No-D-5;Iteam No 6	Supplying and fixing 240/415 V MCB Isolator on din rail of existing DBs and necessary connection. 40A DP MCB Isolator (Make -Havells)	Nos	1.00	208.00	208.00
8	WB I & WD schedule P-113, I- 5:3 F.22	Supply of TMC501 conventional industrial batten (Philips make) LED Tube,model no- TMC501 P1xT LED 22W P3241	Nos	4.00	451.00	1,804.00
9	Page No-C-2;Iteam No 14a	Fixing only single/twin flurosent light fitting complete with all accessories directly on wall/ceiling by screws etc..	Nos	4.00	86.00	344.00
10	Page--D-13, I-23	Supply & fixing Bulk head light fittings with die cast aluminium housing frosted/clear glass on wall/ceiling incl S/F 9 watt LED Lamp complete set. [Make - Havells]	Nos	6.00	654.00	3,924.00
11	WB I&WD sch P-111, I- f.9.0.2	Supply & fixing smart bright street light complete with all accessories to be fixed from the wall of building or on pole incl. making holes /providing clamping arrangement & necy. GI reducer as required.S&F 40 mm GI Pipe 1.5 mtr average length & s&f necy length of 1.5 sqmm pvc insulated single core copper wire & making connections as required & mending good damages incl wall painting. (30 Watt) (Make - Bajaj)	Nos	1.00	3016.00	3,016.00
12	(UD & MA schedule P-14, I-5))	Supply of 9" domestic metal exhaust fan 9" (225mm)SWEEP. TRANS AIR - ( Make-Crompton/Havells/Bajaj)	Nos	4.00	1863.00	7,452.00
13	PWD Schedule Page No-C-4;Iteam No-28(b)	Fixing only exhaust fan after making hole in wall and making good damages and smooth cement finish etc. as practicable as possible and providing necy. length of PVC insulated wire and making connection for exhaust of following diameter: 22.5 cm ( 9" )	Nos	4.00	247.00	988.00

Sr. No.	SOR Page & Item	Description of Works	Unit	Total Qty	Rate	Amount (Rs.)
14	PWD Schedule Page No-C-4; Item No-30(b)	Fixing only louver shutter/cowl on wall with necy. bolts & nuts (6 mm dia x 62 mm long) For 22.5 cm(9") Exhaust fan	Nos	4.00	82.00	328.00
15	(UD & MA schedule P-23, I-70)	Supply of 240V A.C Ceiling Fan ( 48" sweep,1200 mm complete) [Make-Crompton [ for counter only]	Each	1.00	2283.00	2,283.00
16	[PWD sch P-C-3, I-21(a)]	Fixing only Ceiling Fan	Each	1.00	66.00	66.00
17	PWD sch P-E-6, I-17(b)	Supply & Fixing 240 V, 16/20 A Piano key type switch (Brand approved by EIC) on sheet metal switch board incl. S & F 100x100x65mm MS (16SWG) switch board and bakelite/perspex top cover of 3mm thick by Brass screws after making housing for switch by cutting bakelite/perspex cover and making necessary connections as required. (For Hand Dryer machine)	Each	2.00	201.00	402.00
18	PWD Schedule Page No-E-19, Item No-17	S/F 240V 25A Modular type starter (brand approved by EIC) with 25 A. Modular switch DP MCB (C-Curve) and 4 Module G.I. Modular type switch board with 4 Module Top Cover Plate flushed in wall incl. S/F switch board and Cover Plate and making necy. Connections with PVC Copper wire and earth connectivity wire etc. as per schedule [for Pump](Please follow in details)	Nos	1.00	784.00	784.00
19	UD & MA schedule P-14, I-4	Supply and Fixing of 2 mm Polyvinyl glow sign board made of 22 SWG GI sheet box with 1"X1" aluminum channel for fixing the vinyl board after necessary cutting the letter as required & s/f LED tube light fittings along with all accessories. (16 sqft @495.00/sqft)	Nos	1.00	7920.00	7,920.00
20	(UD & MA schedule P-23, I-70)	Earthing installation by GI earth Spike (1830 X 20 mm) including 8SWG GI EarthWire & GI nuts, bolts, washer etc.	Nos	1.00	450.00	450.00
<b>Total Cost = Rs.</b>						<b>50,079.00</b>
Add Provision for GST @ 18% =						9,014.22
Amount including GST =						59,093.22
Add Labour welfare Cess @1% =						590.93
Amount including GST & Cess =						59,684.15
Add Contingency @ 3% =						1,772.80
Grand Total =						61,456.95
Say =						61,457.00

(Rupees sixty one thousand four hundred fifty seven only)

Say Rs. 61,457.00

*Sudha*  
Sub Assistant Engineer (Electrical)  
KANCHRAPARA MUNICIPALITY

*A. Dasg*  
Assistant Engineer  
Kanchrapara Municipality

*K. Adhikary*  
(KAMAL ADHIKARY)  
CHAIRMAN  
KANCHRAPARA MUNICIPALITY

Technically Vetted Rs. 61,457.00  
(Rupees Sixty one Thousand Four Hundred Fifty Seven only.)

*Sudha*  
20-06-25  
Junior Engineer  
Electrical & Mechanical Division  
SUDA

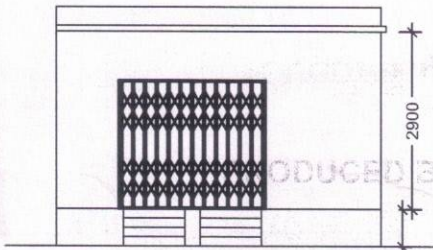
*S. K.*  
20.6.25  
ASSISTANT ENGINEER  
ELECTRICAL & MECHANICAL DIVISION  
SUDA

*ds*  
23/6/25  
Executive Engineer (E/M)  
O/O the Secretary M.E. Dte.  
Government of West Bengal

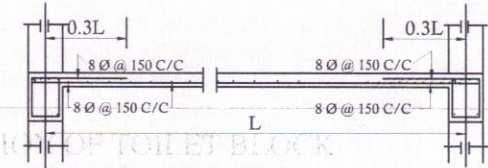
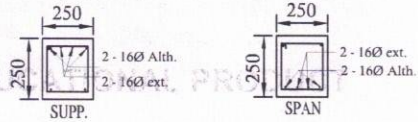
DRAWING FOR CONSTRUCTION OF TOILET BLOCK  
 AT KANCHRAPARA MUNICIPAL POLYTECHNIC  
 HIGH SCHOOL WARD NO-06, UNDER KANCHRAPARA  
 MUNICIPALITY

**MODEL-G**

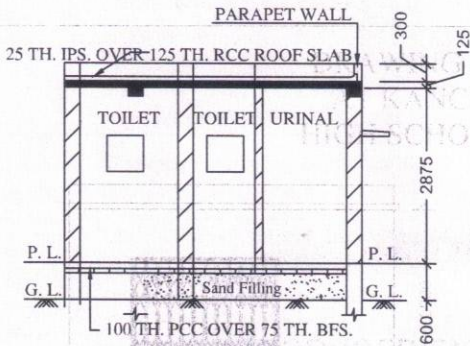
(TOILET SEAT-4 NOS, URINAL -5 NOS)



FRONT ELEVATION

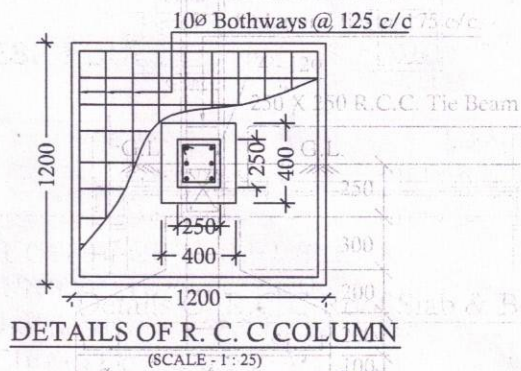
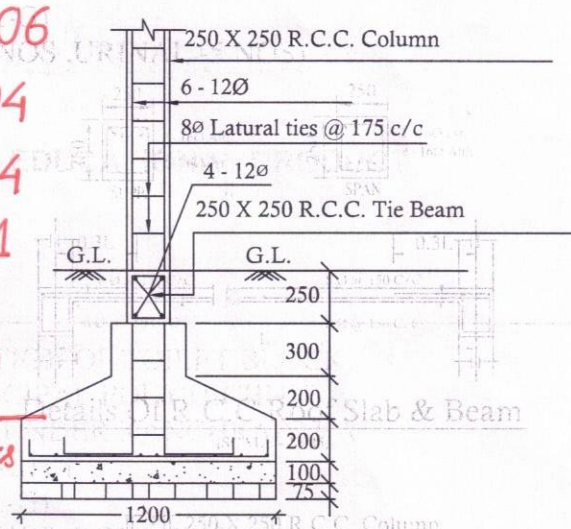


Details Of R.C.C Roof Slab & Beam  
 (SCALE - 1 : 25)

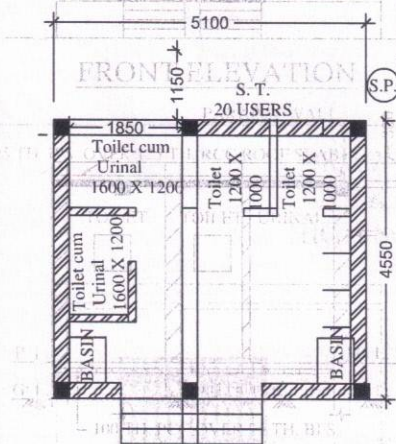


SECTION - 'A - A'

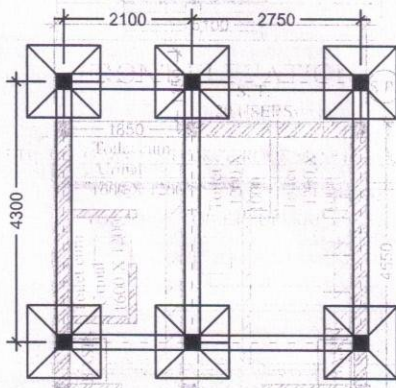
BHLP → 06  
 TL → 04  
 EF → 04  
 CF → 01  
 OL → 01  
 GSB → 01  
 17 pts



DETAILS OF R. C. C COLUMN  
 (SCALE - 1 : 25)



PLAN 'A - A'



LAYOUT PLAN

*Singh*  
 Sub Assistant Engineer  
 Kanchrapara Municipality

*Adarsh*  
 Assistant Engineer  
 Kanchrapara Municipality

FOR OFFICE USE ONLY

PRODUCED BY AN AUTODESK EDUCATIONAL PRODUCT

PRODUCED BY AN AUTODESK EDUCATIONAL PRODUCT