

Estimate for: Electrical works at Construction of Public Toilet Block [Toilet Seat- 2 Nos, Urinal- 3 Nos] at UPHC-I, Muhuripara at Ward No- 18 under Jalpaiguri Municipality.

Sl. No.	Details of Work	Qty	Unit	Rate (Rs)	Amount (Rs)
1	PWD SOR-2017 Page -E-14, Item-2 Distribution wiring in 2 x 22/0.3 (1.5 sqmm) single core stranded 'FR' PVC insulated & unsheathed copper wire (Brand approved by EIC) in 20mm size PVC rigid conduit 'FR' (Precision make), with 1x22/0.3 (1.5 sqmm) single core stranded 'FR' PVC insulated & unsheathed copper wire for ECC, to light/fan/call bell points with Piano Key type switch fixed on MS CRC sheet metal (16 SWG) switch board cum JB on wall complete with 2 no. suitable size "Ph & N" copper bar incl. bakelite/Perspex (wall matching color) top cover 3 mm thick and incl. 175mmx100mmx65mm inspection box, making earthing attachment, painting the MS box and mending good the damages to original finish. (a) Average run 5 mtr	16	Point	654.84	10477.00 9168.00
2	PWD SOR-2017 Page No-E-15; Item-4 Distribution wiring in 1.1 KV grade 22/0.3 (1.5 sqmm) single core stranded 'FR' PVC insulated & unsheathed copper wire (Brand approved by EIC) in 20mm size PVC rigid conduit 'FR' (Precision make), with 1.1 KV grade 1 x 22/0.3 (1.5 sqmm) single core stranded 'FR' PVC insulated & unsheathed copper wire as ECC, to 5A 3 pin flush type plug socket & Piano Key type switch fixed on MS CRC sheet metal (16 SWG) switch board cum JB on wall incl. bakelite/Perspex (wall matching color) top cover 3 mm thick and incl. painting the MS box and mending good the damages to original finish (a) On Board (only for pay counter)	2	Point	71.69	144.00 72.00
3	Supplying and fixing 240V 32A Double Pole AC Type 30mA RCCB.(Complete Set) (ISI marked) [Make- Legrand] (Cat No 4113/95) [Legrand Page No-92]	1	No	5,942.00	5,942.00
4	PWD SOR-2017 Page-E-14 Item-1a Distribution wiring in 1.1 KV single core stranded 'FR' PVC insulated & unsheathed copper wire (Brand approved by EIC) in 20mm size PVC rigid conduit 'FR' (Precision make) incl. necy. fittings as required (ii) 2 x 36/0.3 (2.5 sqmm) + 1 x 22/0.3 (1.5 sqmm) ECC	15	RM	127.33	1910.00 255.00
5	PWD SOR-2017 Page-D-9; Item-13 Supplying and fixing double-door SPN MCB Distribution Board with IP-42/43 protection, concealed in wall after cutting the wall & mending good the damages to original finish incl. Inter connection with suitable size of copper wire and neutral link & provision for earthing attachment. (upto 6 seats)	1	No	1,000.45	1,000.00

	WD SOR-2017 Page-D-6;Item-7 Supplying and fixing 240/415 V MCB of Breaking capacity 10kA & C characteristics on din rail of existing DBs and necessary connection 6-32A SP MCB (Make -Havells)	✓ 4	No	179.76	719.00
7	PWD SOR-2017 Page-D-5;Item-6 Supplying and fixing 240/415 V MCB Isolator on din rail of existing DBs and necessary connection. 40A DP MCB Isolator (Make -Havells)	✓ 1	No	222.56	223.00
8	WB I & WD schedule P-113, Item- 5:3 F.22 Supply of TMC501 conventional industrial batten (Philips make) LED Tube.model no- TMC501 P1xT-LED 22W P3241	3 2	No	464.53	1394.00 939.00
9	PWD Schedule Page-C-2;Item-14a Fixing only single/twin fluroscent light fitting complete with all accessories directly on wall/ceiling by screws etc..	3 2	No	92.02	276.00 184.00
10	PWD sch - Page--D-13, Item-23 Supply & fixing Bulk head light fittings with die cast aluminium housing frosted/clear glass on wall/ceiling incl S/F 9 watt LED Lamp complete set. [Make - Havells]	✓ 5	No	694.53	3,473.00
11	WB I&WD SOR-2022 P-111, Item-F.9.0.2 Supply & fixing smart bright street light complete with all accessories to be fixed from the wall of building or on pole incl. making holes /providing clamping arrangement & necy. GI reducer as required.S&F 40 mm GI Pipe 1.5 mtr average length & s&f necy length of 1.5 sqmm pvc insulated single core copper wire & making connections as required & mending good damages incl wall paingting. (30 Watt) (Make - Bajaj)	✓ 2	No	3,106.48	6,213.00
12	UD & MA SOR-2018 Page-14, Item-5 Supply of 9" (225mm) domestic metal exhaust fan SWEEP. TRANS AIR - (upto 4 seats) (Make-Crompton/Havells Bajaj)	3 2	No	1,863.00	5589.00 2,726.00
13	PWD SOR-2017 Page-C-4;Item-28(b) Fixing only exhaust fan after making hole in wall and making good damages and smooth cement finish etc. as practicable as possible and providing necy. length of PVC insulated wire and making connection for exhaust of following diameter: 22.5 cm (9")	3 2	No	264.29	793.00 529.00
14	PWD SOR-2017 Page-C-4;Item -30(b) Fixing only louver shutter/cowl on wall with necy. bolts & nuts (6 mm dia x 62 mm long) For 22.5 cm(9") Exhaust fan	3 2	No	87.74	263.00 175.00
15	PWD SOR-2017 Page-E-19, Item-17 S F 240V 25A Modular type starter (brand approved by EIC)with 25 A. Modular switch DP MCB (C-Curve)and 4 Module G.I. Moduar type switch board with 4 Module Top Cover Plate flushed in wall incl. S F switch board and Cover Plate and making necy. Connections with PVC Copper wire and earth connectivity wire etc. as per schedule [for Pump]	✓ 1	No	838.88	839.00
16	UD & MA SOR - 2018 Page- 23, Item- 70 Supply of 240V A.C Ceiling Fan (48" sweep,1200 mm complete) [Make-Crompton [for counter only]	✓ 1	No	2,283.00	2,283.00
17	PWD SOR-2017 Page- C-3, Item-21(a) Fixing only Ceiling Fan	✓ 1	No	70.62	71.00

	WD SOR-2017 Page- E-6, Item-17(b) Supply & Fixing 240 V, 16/20 A Piano key type switch (Brand approved by EIC) on sheet metal switch board incl. S & F 100x100x65mm MS (16SWG) switch board and bakelite/perspex top cover of 3mm thick by Brass screws after making housing for switch by cutting bakelite/perspex cover and making necessary connections as required. (For Hand Dryer machine)	2	No	215.07	430.00
19	UD & MA SOR - 2018 Page-14, Item-4 Supply and Fixing of 2 mm Polyvinyl glow sign board made of 22 SWG GI sheet box with 1"X 1" aluminum channel for fixing the vinyl board after necessary cutting the letter as required & s/f LED tube light fittings along with all accessories. (16 sqft @495.00/sqft)	1	No	7,920.00	7,920.00
20	Earthing installation by GI earth Spike (1830 X 20 mm) including 8SWG GI EarthWire & GI nuts, bolts, washer etc.	1	No	450.00	450.00
TOTAL_A				50409.00	44,601.00
Add: GST @ 18% on TOTAL_A				9073.62	8,028.00
TOTAL with GST (TOTAL_B)				59482.62	52,629.00
L.W. Cess @ 1% on TOTAL_B				594.82	526.00
TOTAL with GST & CESS				60077.44	53,155.00
Contingency @ 3% on TOTAL_B				1784.47	1,579.00
GRAND TOTAL				61861.91	54,734.00

Service Connection Charge as per Quotation of WBSEDCL

Rupees Fifty Four thousand Seven hundred Thirty four only

Say RS. 61,862.00

EXECUTIVE OFFICER
Jalpaiguri Municipality

Papia Pal
Chairperson
Jalpaiguri Municipality

Sub-Assistant Engineer
(Electrical)
Jalpaiguri Municipality

Technically Vetted Rs.: 61,862.00

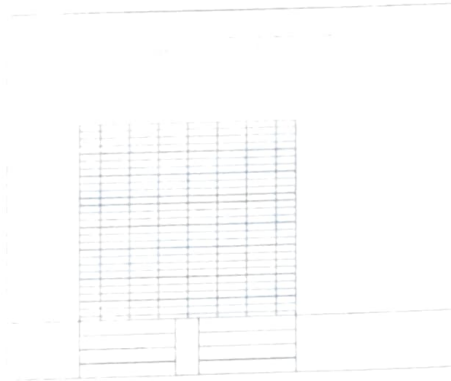
(Rupees Sixty one thousand eight hundred sixty two only.)

Junior Engineer
Electrical & Mechanical Division
SUDA

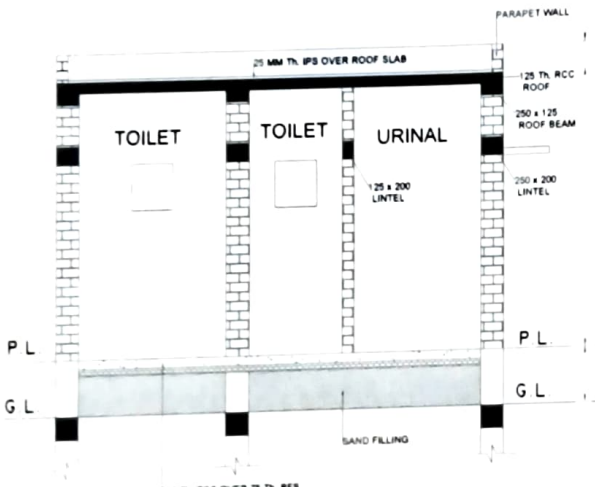
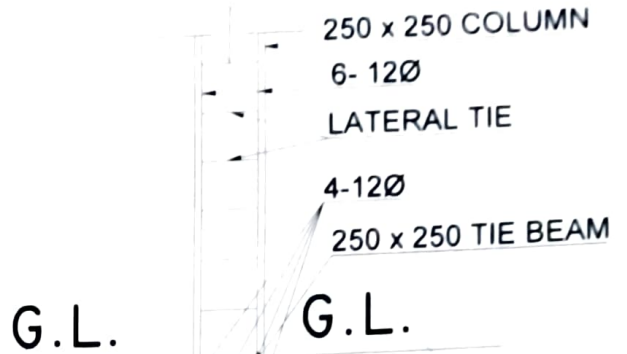
ASSISTANT ENGINEER
ELECTRICAL & MECHANICAL DIVISION
SUDA

Executive Engineer (E/M)
O/O the Secretary M.E. Dte.
Government of West Bengal

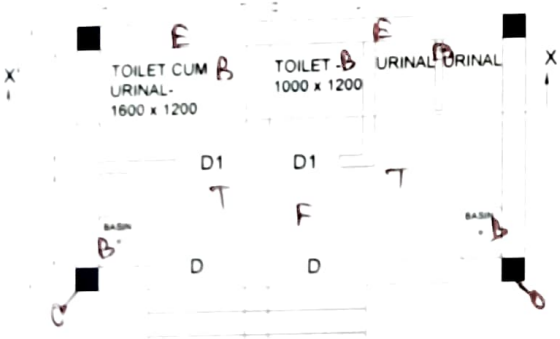
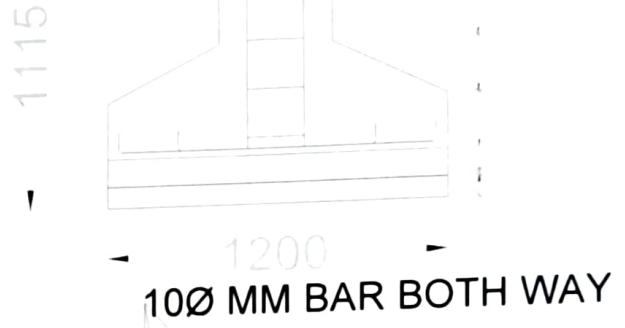
CONSTRUCTION OF PUBLIC TOILET AT UPHC-I, Muhuripara



ELEVATION



SECTION AT X-X'



PLAN

- Tube - 23
- Ball Head - 5
- Exhaunt - 23
- SL - 2
- Glow -
- Calory fan pump -

EXECUTIVE OFFICER
Jaipaguri Municipality

14/16 **Papia Pal**
Chairperson
Jaipaguri Municipality

Sub-Assistant Engineer (Electrical)
Jaipaguri Municipality