

# OFFICE OF BOLPUR MUNICIPALITY

BOLPUR : BIRBHUM

**Name of Work :- External & Internal Electrification of community Toilet at Bali Para Anganwari Center, Ward-03 under Bolpur Municipality** (MODEL → A)

**Estimate No.-** Bm/EST/91/2025-2026 **Date-** 08.07.2025

SL NO	Item Description	Unit	Quantity	Rate	Amount	Remarks
1	Distribution wiring in 2 x 22/0.3 (1.5 sqmm) single core stranded 'FR' PVC insulated & unsheathed copper wire (Brand approved by EIC) in 20mm size PVC rigid conduit 'FR' ( <b>Precision make</b> ), with 1x22/0.3 (1.5 sqmm) single core stranded 'FR' PVC insulated & unsheathed copper wire for ECC. to light/fan/call bell points with Piano Key type switch fixed on MS CRC sheet metal (16 SWG) switch board cum JB on wall complete with 2 no. suitable size "Ph & N" copper bar incl. bakelite/Perspex (wall matching color) top cover 3 mm thick and incl. 175mmx100mmx65mm inspection box, making earthing attachment, painting the MS box and mending good the damages to original finish. <b>[PWD Schedule Page No-E-14 Item No-2a]</b>	Point	19	642.60	12209.40	District Charges will be applicable only for PWD Scheduled items Dist Charge +5%
	Average run 5 mtr					
2	Distribution wiring in 1.1 KV grade 22/0.3 (1.5 sqmm) single core stranded 'FR' PVC insulated & unsheathed copper wire (Brand approved by EIC) in 20mm size PVC rigid conduit 'FR' ( <b>Precision make</b> ), with 1.1 KV grade 1 x 22/0.3 (1.5 sqmm) single core stranded 'FR' PVC insulated & unsheathed copper wire as ECC. to 5A 3 pin flush type plug socket & Piano Key type switch fixed on MS CRC sheet metal (16 SWG) switch board cum JB on wall incl. bakelite/Perspex (wall matching color) top cover 3 mm thick and incl. painting the MS box and mending good the damages to original finish <b>On Board (only for pay counter)</b> <b>[PWD Schedule Page No-E-15; I-4a]</b>	Point	2	70.35	140.70	Dist Charge +5%
3	Supplying and fixing 240V 32A Double Pole AC Type 30mA RCCB.(Complete Set) (ISI marked) <b>[Make- Legrand]</b> (Cat No 4113/95) <b>Legrand Page No-92  </b>	Nos	1	5942.00	5942.00	*No dist charges
4	Distribution wiring in 1.1 KV single core stranded 'FR' PVC insulated & unsheathed copper wire (Brand approved by EIC) in 20mm size PVC rigid conduit 'FR' ( <b>Precision make</b> ) incl. neey. fittings as required 2 x 36/0.3 (2.5 sqmm) + 1 x 22/0.3 (1.5 sqmm) ECC <b>[PWD Schedule Page No-E-14 Item No-1a(ii)]</b>	mtr	20	124.95	2499.00	Dist Charge +5%
5	Supplying and fixing double-door SPN MCB Distribution Board with IP-42/43 protection, concealed in wall after cutting the wall & mending good the damages to original finish incl. Inter connection with suitable size of copper wire and neutral link & provision for earthing attachment. <b>a) For (2+4 way) (Make -Havells)</b> <b>[PWD Schedule Page No-D-9;Item No-13]</b>	No	1	981.75	981.75	Dist Charge +5%
6	Supplying and fixing 240/415 V MCB of Breaking capacity 10kA & C characteristics on din rail of existing DBs and necessary connection 6-32A SP MCB ( <b>Make -Havells</b> ) <b>[PWD Schedule Page No-D-6;Item No-7]</b>	Nos	4	176.40	705.60	Dist Charge +5%
7	Supplying and fixing 240/415 V MCB Isolator on din rail of existing DBs and necessary connection. 40A DP MCB Isolator ( <b>Make -Havells</b> ) <b>[PWD Schedule Page No-D-5;Item No-6]</b>	Nos	1	218.40	218.40	Dist Charge +5%
8	Supply of TMC501 conventional industrial batten ( <b>Philips make</b> ) LED Tube,model no- TMC501 P1XT-LED 22W P3241 (WB I & WD schedule P-113, I- 5:3 F.22)	Nos	5	464.53	2322.65	Dist Charge +3%
9	Fixing only single/twin fluroscent light fitting complete with all accessories directly on wall/ceiling by screws etc.. <b>[PWD Schedule Page No-C-2;Item No-14a]</b>	Nos	5	90.30	451.50	Dist Charge +5%

10	Supply & fixing Bulk head light fittings with die cast aluminium housing frosted/clear glass on wall/ceiling incl S/F 9 watt LED Lamp complete set. [Make - Havells] (PWD sch - Page--D-13, I-23)	Nos	7	682.95	4780.65	Dist Charge +5%
11	Supply & fixing smart bright street light complete with all accessories to be fixed from the wall of building or on pole incl. making holes /providing clamping arrangement & necy GI reducer as required.S&F 40 mm GI Pipe 1.5 mtr average length & s&f necy length of 1.5 sqmm pvc insulated single core copper wire & making connections as required & mending good damages incl wall paingting. (30 Watt) (Make - Bajaj) [WB I&WD sch P-111, I-f.9.0.2]	Nos	1	3106.48	3106.48	Dist Charge +3%
12	Supply of 9" domestic metal exhaust fan 9" (225mm)SWEEP. TRANS AIR - ( Make-Crompton/Havells/Bajaj) (UD & MA schedule P-14, I-5))	Nos	4	1863.00	7452.00	*No dist charges
13	Fixing only exhaust fan after making hole in wall and making good damages and smooth cement finish etc. as practicable as possible and providing necy. length of PVC insulated wire and making connection for exhaust of following diameter: 22.5 cm ( 9" ) [PWD Schedule Page No-C-4;Iteam No-28(b)]	Nos	4	259.35	1037.40	Dist Charge +5%
14	Fixing only louver shutter/cowl on wall with necy. bolts & nuts (6 mm dia x 62 mm long) For 22.5 cm(9") Exhaust fan [PWD Schedule Page No-C-4;Iteam No-30(b)]	Nos	4	86.10	344.40	Dist Charge +5%
15	Supply of 240V A.C Ceiling Fan ( 48" sweep,1200 mm complete) [Make-Crompton [ for counter only] (UD & MA schedule P- 23, I- 70)	Each	1	2283.00	2283.00	*No dist charges
16	Fixing only Ceiling Fan [PWD sch P- C-3, I-21(a)]	Each	1	69.30	69.30	Dist Charge +5%
17	Supply & Fixing 240 V. 16/20 A Piano key type switch (Brand approved by EIC) on sheet metal switch board incl. S & F 100x100x65mm MS (16SWG) switch board and bakelite/perspex top cover of 3mm thick by Brass screws after making housing for switch by cutting bakelite/perspex cover and making necessary connections as required. (For Hand Dryer machine) [PWD sch P- E-6, I-17(b)]	Each	2	211.05	422.10	Dist Charge +5%
18	S/F 240V 25A Modular type starter (brand approved by EIC)with 25 A. Modular switch DP MCB (C-Curve)and 4 Module G.I. Moduar type switch board with 4 Module Top Cover Plate flushed in wall incl. S/F switch board and Cover Plate and making necy. Connections with PVC Copper wire and earth connectivity wire etc. as per schedule [for Pump] [PWD Schedule Page No-E-19, Item No-17]	Nos	1	823.20	823.20	Dist Charge +5%
19	Supply and Fixing of 2 mm Polyvinyl glow sign board made of 22 SWG GI sheet box with 1"X1" aluminum channel for fixing the vinyl board after necessary cutting the letter as required & s/f LED tube light fittings along with all accessories. (16 sqft @495.00/sqft) (UD & MA schedule P-14, I-4)	Nos	1	7920.00	7920.00	*No dist charges
20	Earthing installation by GI earth Spike (1830 X 20 mm) including 8SWG GI EarthWire & GI nuts, bolts, washer etc	Nos	1	450.00	450.00	*No dist charges
				Total	54159.53	
				Add 18% GST	9748.72	
				Total With GST (A)	63908.25	
				Cess@1%	639.08	
				total	64547.33	
	Contingency Amount on "A"			Contingency@3%	1917.25	
	(Total+GST)=Rs:			Total	66464.58	
				Say Rs.	66465.00	

Amount In Ward - Rupees Sixty Six Thousand Four Hundred Sixty Five Only.

66,465.00

S. A. (Elec.)  
Bolpur Municipality  
Bolpur, Birbhum

Assistant Engineer / E-i-c  
(In - Charge)  
Bolpur Municipality  
Bolpur : Birbhum

Chairman  
Bolpur Municipality

P.T.O

BF. Rs. 66,465.00

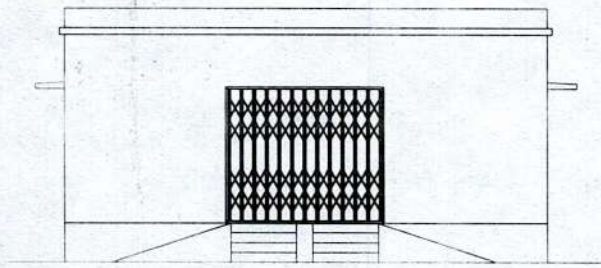
Technically Vetted Rs.: 66,465.00  
(Rupees Sixty Six thousand four hundred  
Sixty five only.)

60  
Junior Engineer 26-08-25  
Electrical & Mechanical Division  
SUDA

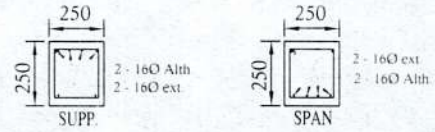
SK  
26.8.25  
ASSISTANT ENGINEER  
ELECTRICAL & MECHANICAL DIVISION  
SUDA

dk  
28/8/25  
Executive Engineer (E/M)  
O/O the Secretary M.E. Dte.  
Government of West Bengal

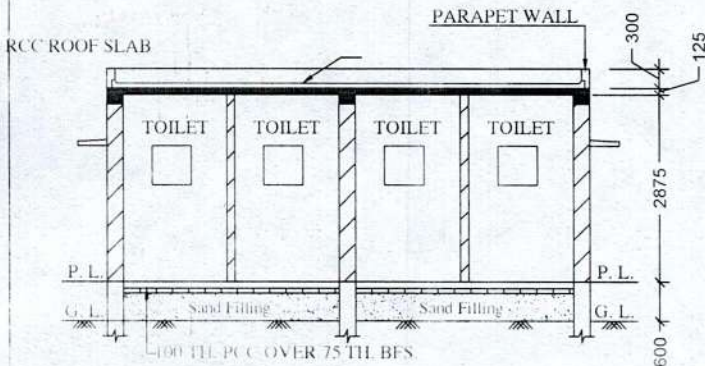
Community Toilet at Bali Para  
Anganwari Center, Ward-03  
under Bolpur Municipality



FRONT ELEVATION



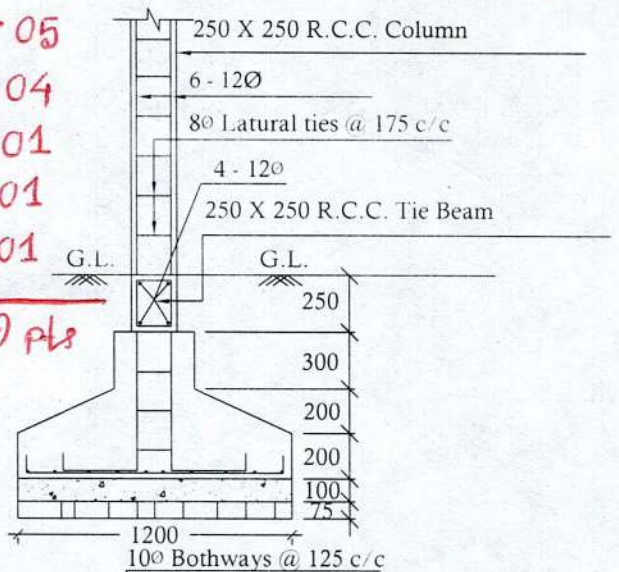
Details Of R.C.C Roof Slab & Beam  
(SCALE - 1 : 25)



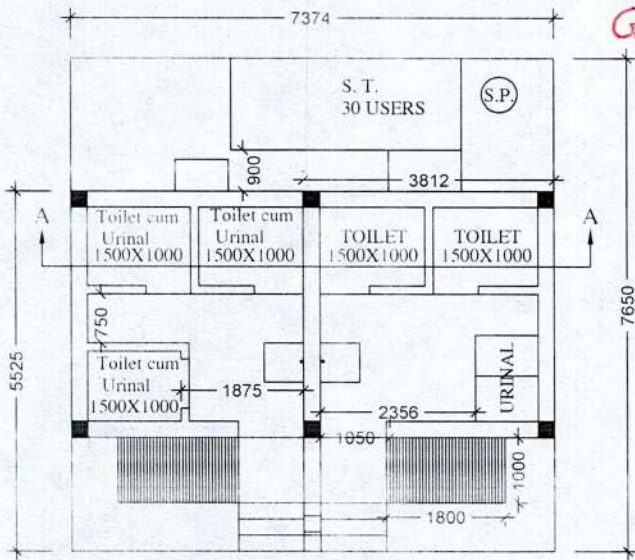
SECTION - 'A - A'

BHLP → 07  
TL → 05  
EF → 04  
CF → 01  
OL → 01  
G.S.B → 01

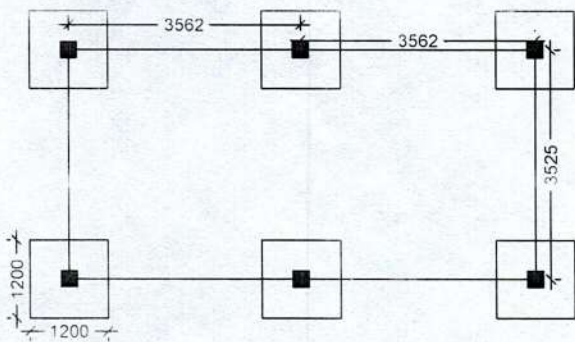
19 pts



DETAILS OF R. C. C COLUMN  
(SCALE - 1 : 25)



PLAN



LAYOUT PLAN

S. A. E. (Elec.)  
Bolpur Municipality  
Bolpur, Birbhum

Assistant Engineer / E-i-C  
(In - Charge)  
Bolpur Municipality  
Bolpur, Birbhum

Chairman  
Bolpur Municipality