



Annexure-A

## Technical Certificate

**Scheme name** : Proposed Estimate for the Construction of a Community toilet near Sitala Mandir at Gobindpur at Booth No. 77 in Ward No. 09 within Ramjibonpur Municipality Under APAS Scheme.

**Scheme ID.-** APAS/01/232/77/0004

**Ward No.** : 09

**Booth no.** : 77

**Certified that:**

- (i) I have physically visited the site for the proposed scheme and recorded the measurements.
- (ii) The scheme is viable from an engineering point of view.
- (iii) The estimate has been prepared as per the current PWD SoR.
- (iv) For non-schedule items, quotations have been considered.

*S. A. E.*  
*22/09/25.*

\_\_\_\_\_  
Signature of Engineer

S. A. E.  
Ramjibonpur Municipality



**Proposed Estimate for the Construction of a Community toilet near Sitala Mandir at Gobindpur at  
Booth No. 77 in Ward No. 09 within Ramjibanpur Municipality Under APAS Scheme.  
(Scheme Id.- APAS/01/232/77/0004)**

As Per PWD (W.B) Schedule of Rates - 01.11.2017 (Incorporation of GST Act,2017 & all Addenda & Corrigenda of SOR,01.12.2015)

Ref.	SL. No.	Description of items	Unit	Quantity	Rate (In Rs.)	Amount (In Rs.)
PWD/P-1/lt.No.-2. a	1	Earth work in Excavation of foundation & trenches of drains of septic tank,soak wells etc. in all sorts of soil (including mixed soil but excluding lateriate of sand stone) including removing spreading or stacking the spoils with in lead of 75 meter as directed. The item includes necessary trimming the sides of trenches,leveling dressing and ramming the bottom, bailing out water required complete. a)Depth of Excavation not exceeding 1.5 metre.	Cum	13.29	119.27	1585.10
PWD/P-1/lt.No.-3. a	2	Earth Work in filling in foundation trenches or plinth with good earth in layers not exceeding 150 mm including watering and remming etc.layer by complete.(Payment to be made on measurement of finished quantity.) a) With earth obtained from excavation of foundation.	Cum	10.25	77.54	794.79
PWD/P-2/lt.No.-4. b	3	(B)Filling in foundation or plinth by fine sand in layers not exceeding 150 mm. As directed and consolidating the same by through saturation with water ramming complete including the cost of supply of sand . (payment to be made measurement of finished quantity).	Cum	12.14	599.61	7279.27
PWD/P-47/lt.No.-3	4	Supplying and laying polythene sheet (150gm/sqm) over damp proof course of below flooring terracing or in foundation trenches.	Sqm	12.87	24.00	308.88
PWD P-34. It. No.-22,a	5	Cement concrete with graded stone ballast (40 mm size) excluding shuttering. In ground floor and foundation. (a) 1:3:6 proportion.	Cum	0.76	5078.51	3859.67
PWD/P-15/lt.No.-8. a	6	Brick work with 1st class bricks in cement mortar (1:6) a) In Foundation and Plinth.	Cum	2.34	5094.70	11921.60
PWD/P-16/lt.No.-16	7	125mm thick brick work with 1st class bricks set in cement mortar (1:4) in ground floor.	Sqm	24.46	697.47	17060.12
PWD/P-26/lt.No.-10	8	Ordinary cement concrete (Mix 1:1.5:3) with graded stone chips (20 mm nominal size) excluding shuttering and reinforcement if any, in ground Floor as per relevant IS codes. i) Pakur variety	Cum	20.70	6026.12	124740.68
PWD P-43.It. No.- 40,a,ii	9	Reinforcement for reinforced concrete work in all sorts of structures including distribution bars stirrups,binders etc. including supply of rods,initial straightening and removal of loose rust (if necessary)cutting to requisite length hooking and bending to correct shape,placing in proper position and binding with 16 gauge black annealed wire at every intersection complete as per drawing and direction including cost of wire (up to ground floor roof) (payment to be made on required quantity of reinforcement as per drawing and direction) a)for works in foundation,basement upto roof of ground floor or upto 4M. (i) Tor steel /Mild Steel. II. Other than SAIL/ TATA/RINL. 1.1% Of Total Vol. of Conc.	M.T.	1.79	55107.60	98501.80
PWD/P-42/lt.No.-36.a,	10	Hire and labour charges for shuttering with centring and necessary staggung upto 4.0 meter using approved stout props and thick hard wood planks of approved thickness with required bracing for concrete slabs,beams & columns,lintels,curved or straight including fitting,fixing and striking out after completion of works.(up to roof of the ground floor) a) 25 mm to 30 mm thick wooden Shuttering as per decision & direction of E.I.C.	Sqm	39.83	321.00	12785.43

SL. No.	Description of items	Unit	Quantity	Rate (In Rs.)	Amount (In Rs.)
P/D/P-9/lt.No.-1(ii).a	11 Plaster ( to wall, floor, ceiling etc.) with sand and cement mortar including rounding off or chamfering corners as directed and racking out joints or roughening of concrete surface including throating, nosing and drip course where necessary.Excluding cost of Chipping over Concrete Surface. i) in ground floor a) 20mm thick (1:4) cement mortar	Sqm	80.78	151.71	12255.13
PWD/P-192/lt.No.-15	12 Neat cement punning about 15 mm thick in wall/ dado, window sills, floor, drain etc.Note: Cement @ 0.152 cum /% sqm.	Sqm	9.71	32.75	318.00
PWD/P-105, lt-16 (i)	13 M.S. gate of Jail type as per approved design made of strong M.S. frame work, intermediate stiffeners and round / square bars or angles. M.S. sheet (not less than 14 gauge) gussets, cleats etc. including necessary riveting, bolting, welding, locking and hanging arrangements, fitting and fixing complete as per direction of the Engineer-in -charge. In ground floor.	Quin	0.90	10090.00	9081.00
PWD/P-105, lt-17	14 Locking arrangement for Jail type doors including supplying fitting and fixing in position complete as per approved design.	Kg	2.000	409.00	818.00
PWD/P-104/lt.No.-13.a,i	15 (a) M.S.or W.I. Ornamental grill of approved design joints continuously welded with M.S, W.I. Flats and bars of windows, railing etc. fitted and fixed with necessary screws and lugs in ground floor. (i) Grill weighing above 10 Kg./sq.mtr and up to 16 Kg./sq. mtr.	Quin	0.17	9888.00	1680.96
PWD/P-64/lt.No.-35,b,i	16 Supplying, fitting and fixing 1st quality ceramic tiles in wall and floors to match with the existing work & 4 nos. of key stones (10mm) fixed with araldite at the back of each tile & finishing the joints with white cement mixed with colouring oxide if required to match the colour of tiles including roughing of concrete surface , if necessary or by synthetic adhesive & grout materials etc. For wall a)area of each tile upto 0.09 sq.m i)coloured decorative	Sq.M	22.68	1032.00	23405.76
P-56, it-25 a(ii)	17 Supplying, fitting, fixing marble slab/tiles, 15 mm. to 18 mm. thick in dado / wall in 15 mm thick [avg] cement mortar (1:2) including making suitable arrangements to hold the stones properly by brass / copper hooks applying white cement slurry @ 4.4 kg/ sq.m at the back side of marble & pointing in cement mortar (1:2) (1 cement, 2 marble dust) with admixture of pigment matching the stone shades including polishing all complete as per direction of the Engineer-in-charge including cost of materials, labours, scaffolding, staging, curing complete. [White cement, Pigment to be supplied by the Agency] (a) With Makrana plain pink / Adranga Pink / Garbh Gulabi / Udaypur Pink / Udaypur green / Black Bhalsana (ii) Area of each slab/tile exceeding 0.3sq.m. but not exceeding 0.6 sq.m.	Sq.M.	5.04	1795.00	9046.80
PWD/P-200/lt.No.-1.a	18 Priming one Coat on steel or other metal surface with synthetic oil bound primer of approved quality including smoothing surfaces by sand papering etc.	Sqm	8.46	29.00	245.34
PWD/P-200/lt.No.-2.b,iv	19 Painting with best quality synthetic enamel paint of approved make and brand including smoothing surface by sand papering etc. including using of approved putty etc. on the surface,if necessary. b) On Steel or other metal surface : (ii)Two Coats( With any Shade expect white)	Sqm	8.46	79.00	668.34

SL. No.	Description of items	Unit	Quantity	Rate (In Rs.)	Amount (In Rs.)
/P- /It.No.- 15.iii	20 Applying decorative cement based paint of approved quality after preparing the surface including scraping the same thoroughly (plastered or concrete surface) as per manufacturer's specification. In G.F. ii) Two Coats.	Sqm	45.80	49.00	2244.20
PWD/P- 196/It.No.- 8.b,	21 Applying Exterior grade Acrylic primer of approved quality and brand on plastered or concrete surface old or new surface to receive decorative textured (matt finish) or smooth finish acrylic exterior emulsion paint including scraping and preparing the surface throughly, complete as per manufacturer's specification and as per direction of the EIC. In Ground Floor: (a) Two Coat	Sqm	90.49	45.10	4081.10
PWD/P- 197/It.No.- 17,a	22 Protective and Decorative Acrylic exterior emulsion paint of approved quality, as per manufacturer's specification and as per direction of Engineer-in-Charge to be applied over acrylic primer as required. The rate includes cost of material, labour, scaffolding and all incidental charges but excluding the cost of primer. In Ground floor (Two Coat) a) Normal Acrylic Emulsion	Sqm	90.49	67.00	6062.83
S.P,P-79, It - 4	23 Supplying, fitting and fixing Orissa pattern water closet in white glazed vitreous chinaware of approved make in position complete excluding 'P' or 'S' trap (excluding cost of concrete for fixing).(i) 580 mm X 440 mm	each	2.00	1613.00	3226.00
S.P,P-36, It - 2	24 Supplying, fitting and fixing 10 litre P.V.C. low-down cistern conforming to I.S. specification with P.V.C. fittings complete, C.I. brackets including two coats of painting to bracket etc.	each	2.00	1015.00	2030.00
S.P,P-36, It - 3	25 Construction of septic tank of different capacities as per approved drawing with 1st class brick work in cement mortar (1:4) including two 560 mm dia. R.C.C. manhole cover (heavy type) of approved make supplied, fitted and fixed in the 100mm thick R.C.C (1:1.5:3) top slab with necessary fittings, 20mm thick cement plaster (4 : 1) with neat cement finish to the internal surfaces and 15 mm thick cement plaster (4 : 1) to outside wall upto 200 mm below G.L floor finished ..... spoils, filling up the chamber with clear water, removing foreign materials from the chamber and including constructing attached inspection pit as per approved drawing and connecting all necessary pipes, joints etc. with internal plaster work and artificial stone flooring is to be done with admixture of water proofing compound @ 0.5% by weight of cement with all costs of labour and materials. Note:- (i) Finished level of Septic Tank should be 400 mm. from Ground Level. (ii) Height of 50 mm. Ventilation pipe & Mosquito proof mesh, should be followed as per IS:2470, Part-I. Payment will be made separately on the basis of actual height based on relevant I.S.Code.	each	1.00	35300.00	35300.00
	iv) For 10 users A) With Pakur variety. (ISW/JSPL/SHYAM/SRMB/BMASL/ ELECTROSTEEL/SSL)				0.00

SL. No.	Description of items	Unit	Quantity	Rate (In Rs.)	Amount (In Rs.)	
P-89.it No-4	26	Construction of circular soak well 2.5 metre deep in all types of sandy soils with dry brick work upto 1.6 metre from the bottom having 150 mm intermediate cement brick work (1:4) band all round and cement brick work (1:4) upto 0.90 metre from top with 20mm thick cement plastering (1:4) to inside face upto the depth of cement brick work, 15mm thick cement plaster (1:4) on outer face from top of the well upto G.L. and 6 mm thick cement plaster (1:4) on top of the R.C.C. cover slab including filling bottom 1.00 metre of inside of the well with brick metal (50 mm to 63 mm size) including R.C.C. cover slab of 100 mm thick with cement conc (1:1.5:3) with stone chips with necessary reinforcement and shuttering including one 560 mm dia. R.C.C. manhole cover (heavy type) of approved make supplied, fitted and fixed in the coverslab with necessary fittings, making necessary arrangements for pipe connections, excavation of well including shoring, dewatering and removing the excess earth from the premises as per direction complete in all respect with all costs of labour and materials. With 250 mm thick dry brick work and 250 mm thick cement brick work (1:6) and 1.00m inside dia. For- (JSW/JSPL/SHYAM/SRMB/BMASL/ELECTROSTEEL/SSL	Each	1.00	16097.00	16097.00
S.P,P-41 It -1	27	Wash basin white vitreous china approved make supplied, fitted and fixed in position on 75mm x 75mm x 75mm. Wood blocks and C.I brackets including two coats of painting of C.I. brackets. A)550mm x 400mm size	each	1.00	1383.00	1383.00
S.P,P-6 It - 7.f,ii	28	(ii) Polythene Bib Cock / Stop Cock with plastic inlet (EMCO / ATLAS or equivalent) 15 mm	Each	1.00	89.00	89.00
S.P,P-1 It - 1,iv	29	Supplying, fitting and fixing brass ferrule including connection with P.V.C. pipe of approved make upto 450 mm long with plumbing joint, brass over C.P. coupling at both ends, with cap and jining complete in all respect, including cutting trenches in all sorts of soil and filling up trenches as per direction of the Engineer-in-charge. iv) 10 mm Dia	Each	1.00	965.00	965.00
S.P,P-43. It - 10	30	Supplying, fitting and fixing approved brand 32 mm dia. P.V.C. waste pipe, with PVC coupling at one end fitted with necessary clamps. (iii) 900 mm long	Each	2.00	75.00	150.00
S.P,P-43. It - 9,ii	31	Supplying, fitting and fixing approved brand P.V.C. CONNECTOR white flexible, with both ends coupling with heavy brass C.P. nut, 15 mm dia. (ii) 450 mm long	Each	2.00	82.00	164.00
PWD/P- 212/It.No.- 21	32	Supplying, fitting & fixing UPVC pipes A- Type and fittings conforming to IS:13592-1992 with all necessary clamps nails, including making holes in walls, floor etc. cutting trenches in any soil through masonry concrete structures etc if necessary and mending good damages including joining with jointing materials (Spun Yarn, Valamoid/Bitumen/M-Seal etc) complete.				0.00
		A) UPVC Pipes: (i) 75 mm. Dia	Mtr	7.00	188.00	1316.00
		(ii) 110 mm. Dia.	Mtr	7.50	251.00	1882.50
		a) Plain Tee (ii) 110 mm. Dia.	Each	1.00	172.00	172.00
		c) Bend 87.5 degree (ii) 110 mm. Dia.	Each	1.00	160.00	160.00
		d) Shoe (i) 75 mm. Dia	Each	2.00	78.00	156.00

S.No.	Description of items	Unit	Quantity	Rate (In Rs.)	Amount (In Rs.)
S.P,P-12. It-19(i),a	33 Supplying, fitting and fixing PVC pipes of approved make of Schedule 80(medium duty) conforming to ASTM D - 1785 and threaded to match with GI Pipes as per IS : 1239 (Part - I). with all necessary accessories, specials viz. socket, bend, tee, union, cross, elbo, nipple, long screw, reducing socket, reducing tee, short piece etc. fitted with holder bats clamps, including cutting pipes, making threads, fitting, fixing etc. complete in all respect including cost of all necessary fittings as required, jointing materials and two coats of painting with approved paint in any position above ground. (Payment will be made on the centre line measurements of total pipe line including all specials. No separate payment will be made for accessories, specials. Payment for painting will be made separately) (a) For Exposed Work . PVC Pipes				0.00
	i) 15mm	Mtr	11.80	101.00	1191.80
	ii) 25mm	Mtr	7.00	177.00	1239.00
S.P,P-38 It-12	34 Labour for lowering plastic water storage tank and stacking in places as directed. (i) Upto 1500 litre capacity (a) From 1st floor to G.L.	Each	1.00	96.00	96.00
S.P,P-38 It-13	35 Labour for punching hole in plastic water storage tank upto 50 mm dia.	Each	3.00	19.00	57.00
S.P,P-37 It-6	36 Supplying Plastic water storage tank of approved quality with closed top with lid (block) multy layer. A)1000 litre capacity. Punching nob in Tank.	Each	1.00	5128.00	5128.00
(Ref. PWD Roads. P-270, Item-8.07)	37 Providing & fixing Concrete Sign Board as per IRC specification of size 900 x 750 x 37 mm. thick made with RCC 1:1½:3 with pakur variety stone chips reinforced with double layer IRC fabric (75 x 75 mm. mesh) and fixed with necessary nuts & bolts on two RC precast posts 100 mm. x 150 mm. of height 2.65 m. of which top 750 mm. is of section 100 x 13 mm. and 1.90 metre above GL & 0.75 metre below GL including digging hole, repacking the same with cement concrete 1:3:6 with jhama khoa or with local stone chips etc. complete including painting two coats on both faces lettering sign marks etc. as per direction of the Engineer-in-Charge. (The rate is inclusive of cost of reinforcement, concrete, shuttering, nuts & bolts, washer etc. complete.) Display Board	Each	1.00	2230.00	2230.00
				Total Rs.	421777.09
				Add GST 18% Rs.	75919.88
				Total Rs.	497696.97
				Add Cess 1% Rs.	4976.97
				Add Contingency 2% Rs.	9953.94
				Total Rs.	512627.88
				Say Rs.	512628.00

(Rupees.- Five lakh twelve thousand six hundred and twenty eight only)

Sub-Assistant Engineer  
Ramjibonpur Municipality  
S. A. E  
Ramjibonpur Municipality

MAY BE VETTED

Assistant Engineer  
Ghatal Sub-Division  
M. E. Directorate  
Govt. of West Bengal

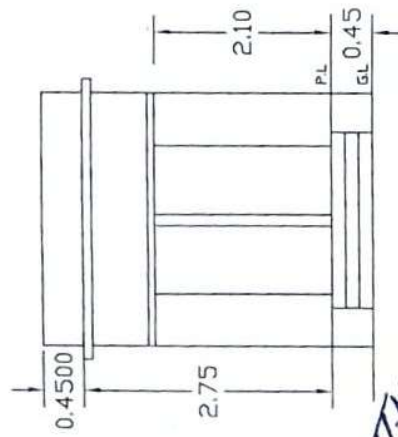
VETTED

Executive Engineer  
West Midnapore Division  
M.E. Directorate  
Govt. of West Bengal

Chairman  
Ramjibonpur Municipality  
Chairman  
Ramjibonpur Municipality

Junior Engineer  
Ghatal Sub-Division  
M. E. Directorate  
Govt. of West Bengal

**PROPOSED PLAN FOR COMMUNITY TOILET NEAR SITALA MANDIR AT GOBINDAPUR AT BO NO-77, WARD NO-09 UNDER APAS SCHEME WITHIN RAMJIBANPUR MUNICIPALITY.**



**ELEVATION**

*J. M. Ghosal*  
 Junior Engineer  
 Ghatal Sub-Division  
 M. E. Directorate  
 Govt. of West Bengal

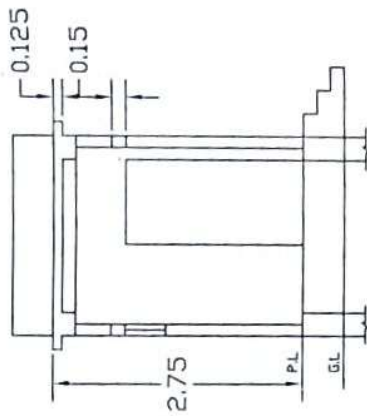


**PLAN OF COMMUNITY TOILET**

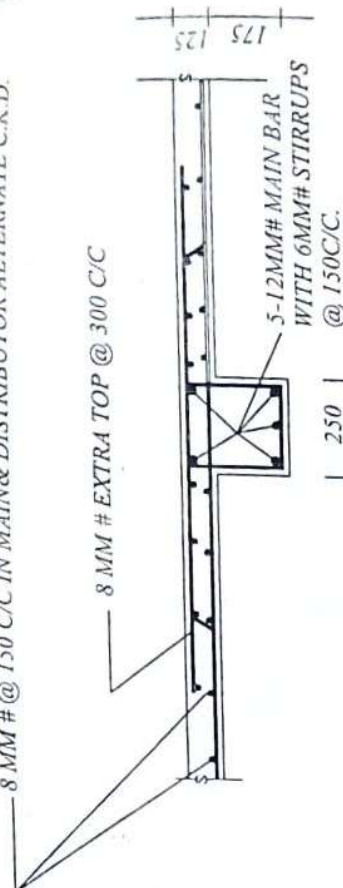
**GENERAL SPECIFICATION:-**

1. ALL DIMENSION ARE IN MM.
2. ALL R.C.C. WORK WILL BE DONE M-20(1:1.5:3) GRADE CONC.
3. ALL P.C.C. WORK WILL BE DONE M-10(1:3:6) GRADE CONC.
4. MINIMUM COVER FOR R.C.C WORK-  
 FDN-50MM, COL-40MM, BEAM-25MM, SLAB-15MM.
5. REINFORCEMENT TO BE USED IS Fe 550D.
6. MORTER FOR BRICK WORK (IN FDN-1:4, 125MM WALL(1:4)

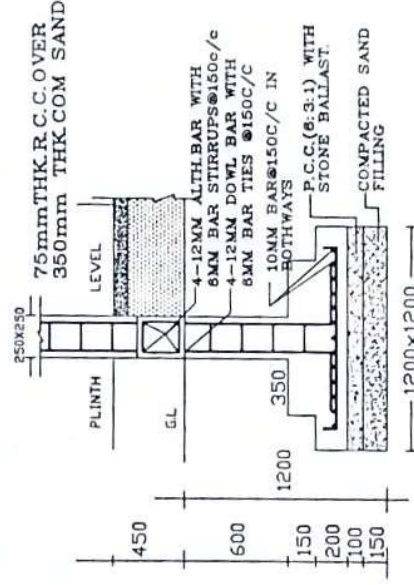
8 MM # @ 150 C/C IN MAIN & DISTRIBUTOR ALTERNATE C.K.D.



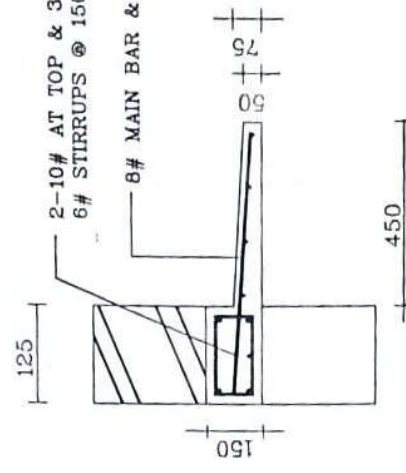
**SECTIONAL ELEVATION ON X-X**



**DETAILS OF T-BEAM WITH ROOF SLAB.**



**DETAILS OF COLUMN FOUNDATION**



**DETAILS OF LINTEL & SUNSHADE**

SCHEDULE OF OPENING	
Name	Size of opening
D - Door (Iron)	0.75m X 2.10m
CLW - Celestery Window	0.60m X 0.45m

**PLINTH AREA:- 6.53 Sqm**

*S. A. E.*  
 22/09/15  
 S. A. E.  
 Ramjibapur Municipality

*K. J.*  
 Chairman  
 Ramjibapur Municipality