

a) Pakur Variety Chandl Variety
 PWD Building Works schedule, p-26 Item 10 a (Rate Analysis)

0.5x1.2x1.2 (4x4)=0.8	4	1	1.2	1.2	0.2	1.15	7.34	6048.75	Cum	44397.83
Tie beam	4	1	0.8		0.2	0.64				
part beam	3	1	0.4	0.4	0.3	0.19				
Tie beam	1	1	2.33	0.25	0.25	0.44				
part beam	2	1	1.2	0.25	0.25	0.08				
part beam	1	1	4.35	0.25	0.25	0.54				
Col(3.0x2.5-0.60=3.35)	1	1	1.2	0.25	0.25	0.08				
Lintel	4	1	1		0.25	0.06				
	2	1	0.25	0.25	3.35	0.84				
Partition Wall	3	1	2.33	0.25	0.2	0.23				
	1	1	4.35	0.25	0.2	0.65				
	1	1	1.6	0.13	0.2	0.04				
Chazza	1	1	1	0.13	0.2	0.03				
Roof beam	3	1	1.2	0.13	0.2	0.03				
	2	1	0.5	0.45	0.1	0.07				
Roof Slab	3	1	4.1	0.25	0.13	0.27				
	1	1	2.33	0.25	0.13	0.23				
			4.85	2.83	0.13	1.78				

7. 25mm thick damp proof course with cement concrete with stone chips (1153) [with graded stone aggregate 10 mm nominal size] and admixture of water proofing compound as per manufacturer's specification followed by two coat of polymer based paint. (1st coat after 4 to 5 days of concrete laying and 2nd coat just before brick masonry work) as directed (cost of water proofing compound & polymer based paint to be paid separately) (Chequering not required over concrete or painted surface) [Note: waterproofing as per item 9, polymer based paint as per item 8(a) of sub head C of section (C) PWD building schedule page-47, item-1 (Rate analysis) 2x3x3.250x0.250=2.44

Tie beam	2	1	4.35	0.25		2.18	4.42	203.00	sq m	897.26
Part Beam	3	1	2.33	0.25		1.75				
Part Beam	1	1	1.6	0.13		0.21				
	1	1	1.2	0.13		0.16				
	1	1	1	0.13		0.13				

8. 125 mm brick work with 1st class bricks in cement mortar (1:4) in ground floor PWD Building Works schedule, Page -16, Item-16, con page -3, date -04.06.2018 (Rate Analysis)

Partition wall(3-125-2=2.68)	1	1	1.6		2.68	4.29	11.49	666.27	sq m	7655.44
	1	1	1.2		2.68	3.22				
Parapet wall	1	1	1		2.68	2.68				
	1	1	14.85		0.3	4.46				
Deduction						14.64				
Door	2	1	0.75		2.1	-3.15				

9. Supplying and Laying polythene sheet (150 gm/sq m) over damp proof course or below flooring or roof terracing or foundation or foundation trenches. PWD Building Works schedule, Page -47, Item-3

	1	1	4.85	2.83		13.73	13.73	24.00	sq m	329.52
--	---	---	------	------	--	-------	-------	-------	------	--------

10. Hire and labour charges for shuttering with centering and necessary staging upto 4 m using approved stout props and thick hard wood planks of approved thickness with required bracing for concrete slabs, beams and columns, lintels curved or straight including fitting, fixing and striking out after completion of works (upto roof of ground floor) (f) 25 mm to 30 mm shuttering without staging in foundation PWD Building Works schedule, Page -42, Item-36 f

Footing	4	4	1.2		0.3	5.76	19.83	205.00	sq m	4065.15
Col	4	4	0.4		0.3	1.92				
Col(GI. to PL.)	4	4	0.25		0.6	2.4				
Tie beam	2	2	4.35		0.25	4.35				
Tie beam	3	2	2.33		0.25	3.5				
Part Beam	1	2	1.6		0.25	0.8				
Part Beam	1	2	1.2		0.25	0.6				
Part Beam	1	2	1		0.25	0.5				

11. Hire and labour charges for shuttering with centering and necessary staging upto 4 m using approved stout props and thick hard wood planks of approved thickness with required bracing for concrete slabs, beams and columns, lintels curved or straight including fitting, fixing and striking out after completion of works (upto roof of ground floor) (A) (25mm to 30 mm thick wooden shuttering as per decision & direction of Engineer

Column	4	4	0.25		2.75	11	40.79	328.00	sq m	13379.12
Lintel	3	2	2.33		0.2	2.8				
Lintel	2	2	4.35		0.2	3.48				
Partition wall	1	2	1.2		0.2	0.48				
	1	2	1.6		0.2	0.64				
	1	2	1		0.2	0.4				
Coemine										
Wudaw	3	1	0.45		0.25	0.34				
Door	2	1	1.05		0.25	0.53				
	2	1	0.75		0.13	0.2				
Chazza	3	1	0.5		0.45	0.68				
	3	1	1.4		0.1	0.42				
Roof beam	4	1	2.33		0.13	1.21				
	2	1	1.6		0.13	0.42				
	2	1	2.5		0.13	0.65				
Outer side	1	1	15.35		0.25	3.84				
Roof Slab	1	1	4.85		2.83	13.73				

	artificial stone in floor dado staircase with cement mortar (1:2:4) with stone chips listed in panels as directed with finishing made with ordinary or white cement (as necessary) and marble dust in proportion (1:2) in eluding application of cement slurry before flooring works raking out joints or roughening of concrete surface and materials and labour in ground floor h3 mm thick topping using gray cement (ii) 25 mm PWD Building Works schedule, p-18 Item 6(ii)	13.73	280.00	sq m	3844.40						
13	Roof Reinforcement for reinforced concrete work in all sorts of structures including distribution bars, stirrups, binders etc initial straightening and removal of loose rust (if necessary), cutting to requisite length, hooking and bending to correct shape, placing in proper position and binding with 16 gauge black annealed wire at every intersection, complete as per drawing and direction (a) For works in foundation and upto roof of ground floor upto 4 m	1	1	4.85	2.83	13.73	0.6918	59241.18	M.T	40983.05	
	120% of item no 120%	7.34	7.85	0.6918							
14	Collapsible gate with 40 mm x 10 mm x 6 mm Tee as top and bottom guide rail, 20 mm x 10 mm x 2 mm vertical channels 100 mm apart in full stretched position 20m x 5 mm MS flats as collapsible bracings properly reverted and washered including 38 mm steel roller including locking arrangements, fitted and fixed in position with lugs set in cement concrete including cutting necessary hicks chasing etc in walls, floors etc and making good all damages PWD Building Works schedule, Page -106, Item- 18 2X1.00X2.10=4.20m ²	4.20	4351.00	sq m	18274.20						
15	Brick work with 1st class bricks in cement mortar (1:4) (a) Foundation and plinth ground floor PWD Building Works schedule, Page -15 Item-7 a (Rate Analysis)										
	Tre beam to plinth	1	3	2.33	0.25	0.6	1.05	3.19	4849.48	cu m	15469.84
		1	2	4.35	0.25	0.6	1.31				
	Partition wall (600-250=350)	1	1	1.6	0.25	0.35	0.14				
		1	1	1.2	0.25	0.35	0.11				
		1	1	1	0.25	0.35	0.09				
	Stair	1	1	2.25	0.75	0.15	0.25				
		1	1	2.25	0.5	0.15	0.17				
							0.08				
							3.19				
16	Brick work with 1st class bricks in cement mortar (1:4) (b) superstructure ground floor PWD Building Works schedule, Page -15, Item-7 b (Rate Analysis)	8.70	5072.48	cu m	44130.58						
	3.0-0.25-0.2-2.55	1	3	2.33	0.25	2.55	4.46				
		1	2	4.35	0.25	2.55	5.55				
							10				
	Reduction										
	Window	3	1	0.45	0.25	0.6	-0.2				
	Door	2	1	1.05	0.25	2.1	-1.1				
							-1.31				
							8.7				
17	Labour for Chipping of concrete surface before taking up plastering work PWD Building Works schedule, P-192, It-1	44.46	21.00	sq m	933.66						
	Col	4	4	0.25		3.35	13.4				
	Lintel	3	2	2.33		0.2	2.8				
	Lintel	2	2	4.35		0.2	3.48				
	Partition wall	1	2	1.6		0.2	0.64				
	Partition wall	1	2	1.2		0.2	0.48				
		1	2	1		0.2	0.4				
	Below opening										
	Window	3	1	0.45		0.25	0.34				
	Door	2	1	0.75		0.13	0.2				
		2	1	1.05		0.25	0.53				
		3	2	0.45		0.5	1.35				
	Chazza	3	1	1.4		0.1	0.42				
	Side	3	1	4.85		0.25	2.43				
	Roof beam	2	1	2.83		0.25	1.42				
		2	2	4.35		0.13	2.26				
	In side	2	1	2.33		0.13	0.61				
	In side	2	1	4.85		2.83	13.73				
	Slab	1	1	4.85			44.46				

Plaster (to wall, floor, ceiling etc) with sand and cement mortar including rounding off or chamfering corners as directed and raking out joints including throating, nosing and drip course, scaffolding/staging where necessary (Ground floor) [Excluding cost of chipping over concrete surface] (i) With 16 cement mortar (c) 15 mm thick plaster PWD Building Works schedule, P-189 It- No. 1 (Rate Analysis)							84.81	138.46	sq.m	11742.79
Outer side	1	2	4.85		3.9	37.83				
Chazza	1	2	2.83		3.9	22.07				
	3	1	0.45		0.5	0.68				
In side	3	1	1.4		0.1	0.12				
	4	1	2.33		0.78	7.27				
10-0.125-2.1=0.78	2	1	1.6		0.78	2.5				
Partition wall	1	2	2.5		0.78	3.9				
	1	2	1.6		0.78	2.5				
	1	2	1.2		0.78	1.87				
Parapet wall	1	2	4.73		0.78	1.56				
	1	2	2.7		0.13	1.23				
In side	1	2	4.35		0.3	0.7				
	1	2	2.33		0.3	2.61				
	1	2	2.33		0.3	1.4				
Oeduction	3	1	0.45			86.53				
	2	1	1.05			0.81				
						2.1				
1/3 of the opening			0.33	5.22		1.72				
						84.81				
19	Plaster (to wall, floor, ceiling etc) with sand and cement mortar including rounding off or chamfering corners as directed and raking out joints including throating, nosing and drip course, scaffolding/staging where necessary (Ground floor) [Excluding cost of chipping over concrete surface] (ii) With 14 cement mortar (c) 10 mm thick plaster PWD Building Works schedule P-189 It- No. 1 ii(c) (Rate Analysis)						10.23	123.46	sq.m	1263.00
	Chazza	3	1	0.45		0.5	0.68			
	Slab	1	1	4.1		2.33	9.55			
						10.23				
20	Neat cement puning about 15 mm thick in wall, dado, window sills, floors etc. Note cement 0.152 m ³ /100 m ² PWD Building Works schedule, P-192 It- No. 15						9.21	32.71	sq.m	301.26
		1	1	15.35		0.6	9.21			
21	Supplying, fitting and fixing fibre reinforced polymer (FRP) Composite door frame as per approved section with glass fibre reinforced plastic moulded skins and a special sandwich core, so as to impart monolithic composite structure as per approved technology of Department of Science and Technology (DST) to satisfy IS 4020 door testing performance criteria (i) 66mm x 90mm PWD Building Works schedule, P-115, It- 3 (i)						9.90	497.00	mtr.	4920.30
		2	1	4.95			9.9			
22	Supplying, fitting & fixing fibre reinforced polymer (FRP) Composite door shutters as per approved design with glass fibre reinforced plastic moulded skins and a special sandwich core, so as to impart monolithic composite structure as per approved technology of Department of Science and Technology (DST) to satisfy IS 4020 door testing performance criteria. In ground floor ii) 25 mm thick P-125 It- 14(ii) 5x2.10x0.75=7.875m ²						2.52	2581.00	sq.m	6504.12
		2	1	0.62		2.05	2.52			
23	Anodised aluminium barrel /tower/ socket bolt (full covered) of approved manufactured from extruded section conforming to IS 204/74 fitted and fixed with cadmium plated screws. (vii) 225mm long x 10mm dia. bolt. PWD Building Works schedule, P-144, It No. 26 (vii)						2.00	84.00	each	168.00
24	Iron butt hinges of approved quality fitted and fixed with steel screws, with ISI mark (viii) 100mm X 75mm X 3.50mm. PWD Building Works schedule, P-140, It No. 5 (viii)						6.00	66.00	each	396.00
25	Anodised aluminium decorative handle (hexagonal / fluted) of approved quality fitted and fixed complete (i) 150mm plate x 10mm dia rod x 12mm hexagonal fluted PWD Building Works schedule, Page -146 Item no-31,(i)						4.00	87.00	each	348.00
26	Iron hasp bolt of approved quality fitted and fixed complete (oxidised) with 16mm dia rod with concrete bolt and round fitting b) 250mm long PWD Building Works schedule, Page -141 Item no-10 (b)						2.00	159.00	each	318.00
27	Supplying and laying chequered tiles of any shade and of approved quality with (1:1:5:3) cement concrete laid in panels or patterns as directed in pavement, footpath etc including necessary underlay 25 mm thick (avg cement mortar (1:3) complete in all respect with all labour and materials (Using cement slurry @ 4 kg/sq m at back side and @ 2.4 kg/sq m for joint filling) PWD Building Works schedule, Page -74, Item no- 46(i), 25 mm thick						3.49	877.00	sq.m	3060.73
	Star	4	1	2.25		0.15	1.35			
		3	1	2.25		0.25	1.69			
		1	2	0.25		0.15	0.08			
		1	2	0.5		0.15	0.15			
		1	2	0.75		0.15	0.23			
						3.49				

Applying the Surface of walls and ceiling with White Cement base WATER PROOF wall putty of approved make & brand (1.5 mm thick) In Ground Floor PWD Building Works schedule PWD P. 198, 1-5										85.83	122.00	sq m	10471.26	
29	Applying interior grade Acrylic Primer of approved quality and brand on plastered and concrete surface old or new surface to receive Distemper Acrylic emulsion paint including scraping and preparing the surface thoroughly complete as per manufacturer's specification and as per direction of the EIC in Ground Floor (b) two coats 1) Water based interior grade Acrylic Primer PWD Building Works schedule Page -194 Item no- 9(b)										84.81	10.23	9.21	85.83
	In side	195	07	4	1	2.33	0.78	7.27			29.15	84.00	sq m	2361.15
				2	1	4.1	0.78	6.4				49.20		1288.43
	3.0-0.125-2.1=0.78			2	1	1.6	0.78	2.5						
				2	1	1.2	0.78	1.87						
	Slab			2	1	1	0.78	1.56						
				1	1	4.1	2.33	9.55						
30	Dry Distemping internal walls or ceiling including cleaning, washing, smoothening 30 surface (b) two coats FWD Building Works schedule, Page -196, Item no- 9(b)										29.15	49.00	sq m	1428.35
31	Applying exterior grade Acrylic Primer of approved quality and brand on plastered or concrete surface old or new surface to receive Decorative Textured (Maru Finish) or Smooth Finish Acrylic exterior emulsion paint including scraping and preparing the surface thoroughly complete as per manufacturer's specification and as per direction of the EIC in Ground Floor (b) two coats PWD Building Works schedule, Page -196, Item no- 8(b) 79.69-18.00 = 116.69 m2										61.58	45.10	sq m	2777.26
	Outer side			1	2	4.85	3.6	34.92						
				1	2	2.83	3.6	20.38						
	Chazza			3	2	0.45	0.5	1.35						
				3	1	1.4	0.1	0.42						
	Parapet wall			1	2	4.73	0.13	1.23						
				1	2	2.7	0.13	0.7						
	In side			1	2	4.6	0.3	2.76						
				1	2	2.58	0.3	1.55						
								63.31						
	Deduction			3	1	0.45	0.6	0.81						
				2	1	1.05	2.1	4.41						
								5.22						
	1/3 of the opening					0.33	5.22	1.72						
								61.58						
32	Protective and Decorative Acrylic Exterior emulsion paint of approved quality, as per manufacturer's specification and as per direction of EIC to be applied over Acrylic primer 32 as required. The rate includes cost of materials, labour, scaffolding and all incidental charges but excluding the cost of primer in ground floor (two coats)(a) normal acrylic emulsion PWD Building Works schedule, Page -197, Item no-17(a)										61.58	67.00	sq m	4125.86
33	(b) Priming one coat on timber or plastered surface with synthetic oil bound primer of approved quality including smoothening surfaces by sand papering etc 33 PWD Building Works schedule, Page -200, Item no-1 (b)										9.21	29.00	sq m	267.09
												38.00		349.98
34	(A) Painting with best quality synthetic enamel paint of approved make and brand including smoothening surface by sand papering etc including using of approved putty etc on the surface, if necessary Page -200 Item no-1 (b) (a) On timber or plastered surface With super gloss (hi-gloss) - (iv) Two coats (with any shade except white) PWD Building Works schedule, Page -200, Item no-2(A)(a)(iv)										9.21	79.00	sq m	727.59
												81.00		746.01
35	(a) M.S. or W.I. Ornamental grill of approved design joints continuously welded with M.S., W.I. Flats and bars of windows, railing etc fitted and fixed with necessary screws and lugs in ground floor (i) Grill weighing above 10 Kg/sq mtr and up to 16 Kg/sq mtr. PWD Building Works schedule, P-104 Item-13 A (i) (3rd Compendium Page No 91)										0.48	10021.00	qnl.	4810.08
	Pump House			6	1	0.6	0.6	2.16						
	Window			3	1	0.45	0.6	0.81						
								2.97						
						2.97	16	0.48						
36	a) Priming one coat on steel or other metal surface with synthetic oil bound primer of approved quality including smoothening surfaces by sand papering etc PWD Building Works schedule, P-200 Item-11(a)										7.17	29.00	sq m	207.93
	Quantity from item 11035							2.97						
	Quantity from item no 14			0	15			4.2						
								7.17						

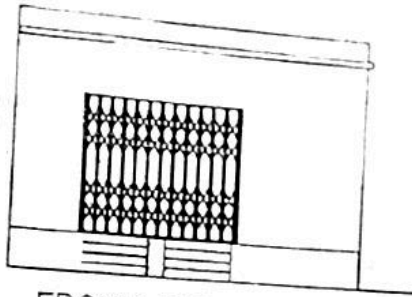
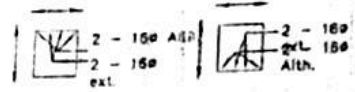
<p>Primer surface by sand papering etc. including using of approved putty etc. on the surface, if necessary.</p> <p>(b) On steel or other metal surface</p> <p>(c) Two coats (with any shade except white)</p> <p>PWD Building Works schedule, P-200 Item-2(b)(iv)</p>		7.17	79.00	sq m	566.43
38	<p>Supplying and laying true to line and level vitrified tiles of approved brand (size not less than 600 mm X 600 mm X 10 mm thick) in floor, skirting etc. set in 20 mm sand cement mortar (1:4) and 2 mm thick cement slurry back side of tiles using cement @ 2.91 Kg/sqM or using polymerised adhesive (6 mm thick layer applied directly over finished artificial stone floor/Mosaic etc. without any backing course) laid after application slurry using 1.75 Kg of cement per sqM below mortar only. joints grouted with admixture of white cement and colouring Pigment to match with colour of tiles/ epoxy grout materials of approved make as directed and removal of wax coating of top surface of tiles with warm water and polishing the tiles using soft and dry cloth upto mirror finish complete including the cost of materials, labour and all other incidental charges complete true to the manufacturer's specification and direction of Engineer-in-Charge (White cement, synthetic adhesive and grout material to be supplied by the contractor)</p> <p>1.1(i) With application slurry @ 1.75 kg/ Sq m, 20 mm sand cement mortar (1:4) & 2 mm thick cement slurry at back side of tiles, 0.2 kg/ Sq m white cement for joint filling with pigment</p> <p>(A) Deep Colour & White</p> <p>PWD Building Works schedule, Page-66 Item-36 (A) (3rd</p>	19.11	1688.00	sq m	32257.68
	<p>Floor</p> <p>2</p> <p>1</p> <p>4.1</p> <p>2.33</p> <p>19.11</p>				
39	<p>Supplying, fitting & fixing 1st quality Ceramic tiles in walls and floors to match with the existing work & 4 nos. of key stones (10mm) fixed with araldite at the back of each tile & finishing the joints with white cement mixed with colouring oxide if required to match the colour of tiles including roughening of concrete surface, if necessary or by synthetic adhesive & grout materials etc</p> <p>B) Wall</p> <p>Area of each tile above 0.09 Sq m</p> <p>ii) Other than Coloured decorative including white</p> <p>PWD Building Works schedule, page-64, Item 35 (8) (b) (ii) (3rd Corrigendum, Page 361</p>	48.95	1036.00	sq m	50712.20
	<p>In side</p> <p>4</p> <p>1</p> <p>2.33</p> <p>2.1</p> <p>19.57</p>				
	<p>2</p> <p>1</p> <p>4.1</p> <p>2.1</p> <p>17.22</p>				
	<p>2</p> <p>1</p> <p>1.6</p> <p>2.1</p> <p>6.72</p>				
	<p>2</p> <p>1</p> <p>1.2</p> <p>2.1</p> <p>5.04</p>				
	<p>2</p> <p>1</p> <p>1</p> <p>2.1</p> <p>4.2</p>				
	<p>52.75</p>				
	<p>Deduction (Window)</p> <p>3</p> <p>1</p> <p>0.45</p> <p>0.6</p> <p>0.81</p>				
	<p>Door</p> <p>2</p> <p>1</p> <p>1.05</p> <p>2.1</p> <p>4.41</p>				
	<p>Door</p> <p>2</p> <p>2</p> <p>0.75</p> <p>2.1</p> <p>6.3</p>				
	<p>11.52</p>				
	<p>1/3 of the opening</p> <p>0.33</p> <p>11.52</p> <p>3.8</p>				
	<p>48.95</p>				
40	<p>Supplying profiles of required section made of Aluminium Alloy Extrusions conforming to IS: 732-1983 and IS: 1285-1975, Anodized (with required film thickness and ecified colour/ natural) matt finished conforming to IS: 1868-1983 for fabrication of composite door, sliding & casement windows, partitions, formed of basic sections of any ISI embossed/ certified make and brand as per direction of Engineer - In-Charge (Payment will be made on finished length of the work)</p> <p>(A) In 10-12 Micron thickness Anodizing film</p> <p>D Natural white h) Louvered window i) Top, bottom and side member</p> <p>PWD Building Works schedule, PWD, P-233, 1-1(h)</p>	6.30	183.00	M	1152.90
	<p>3</p> <p>1</p> <p>2.1</p> <p>6.3</p>				
41	<p>ii) Louvered Section</p> <p>3</p> <p>2</p> <p>0.6</p> <p>3.6</p>	3.60	658.00	M	2368.80
42	<p>iii) Cleat angle / Non-anodized)</p> <p>3</p> <p>4</p> <p>0.4</p> <p>4.8</p>	4.80	263.00	M	1262.40
43	<p>Labour charge for fabrication and installation of composite door, window, partitions made from anodized extruded alloy aluminium sections for the following units -</p> <p>(A) Glazed aluminium sliding windows made of extruded and anodized alloy aluminium sections, fabrications, including cutting to proper shape and size, drilling and aligning of window shutter frame fitted with in built locking arrangements, sliding rollers and other necessary fittings, fixture, adhesives and joineries along with extruded neoprene or EPDM gasketing in between window frame and masonry work (walls, column, beam lintels etc.) as well as between glass and shutter frame for fixing glass and Polysulphide sealant and in between shutter and window frame where necessary including cutting to requisite size and fixing glass as per drawing, specification and direction of EIC. The rate includes the hire charge of all tools and plants, including all incidental charges, adhesive, joineries such as screw, cleat angle etc. but excluding the cost of extruded aluminium sections, glass, neoprene/ EPDM gasket, locking arrangement and rollers v) Louvered window</p> <p>PWD Building Works schedule, P-243, 1-9</p>	0.81	730.00	sq m	591.30
	<p>3</p> <p>1</p> <p>0.45</p> <p>0.6</p> <p>0.81</p>				

Supplying bubble free float glass of approved make and brand conforming to IS 2835 1980 3mm thick coloured tinted smoke glass PWD Building Works schedule P		0.8	1.85 (1)	2.10	175.85	
		3	1	0.45	0.6	0.81
45	Painting block letters or digits in Black Japan e. Size above 7.5 cm and upto 10 cm PWD Building Works schedule, P-268, It-1	450.00	12.00	each	5400.00	
46	Supplying and planting of different plants/ (supplying well grown plants bushy and healthy, i.e. exposed height including all leads and lifts, carriage, handling, manuring applying pesticide and fertilizer etc (i) Furcaria Variegated 10 to 12 leaves in height 20-30 cm in earthen pot of size 25cm	7.00	162.00	each	1134.00	
47	(ii) FICUS BIANCH (F. VITICORN) well branched (pot of size 30cm PWD Building Works schedule, Page -261 Bushy) of height 120cm - 135 cm in earthen (It-9 (X))	3.00	187.00	each	561.00	
48	(XXVI) Areca Palm 4 - 5 suckers of height 90 PWD Building Works schedule, Page -261, cm to 105 cm in earthen pots of size 25 cm It-9 (XXVI)	3.00	127.00	each	381.00	
SANITARY AND PLUMBING WORKS						
49	Supplying, fitting and fixing to make complete in position with necessary bolts, nuts etc a) With 'P' trap (with vent) PWDS&P Schedule, page-79, item no -3 (a)	2.00	3104.00	each	6208.00	
50	Supplying, fitting and fixing Closet seat of approved make with lid and C.P. hinges, rubber buffer and brass screws complete (b) Anglo Indian (i) Plastic (hallow type) White PWD S&P Schedule, page-81, item no 10 b i	2.00	380.00	each	760.00	
51	Supplying, fitting and fixing Flat back urinal (half stall urinal) in white vitreous chinaware of approved make in position with brass screws on 75 mm X 75 mm X 75 mm wooden blocks complete (ii) 470 mm X 280 mm X 340 mm PWD S&P Schedule, page 80, item no-6/(ii)	2.00	945.00	each	1890.00	
52	Supplying fitting and fixing squatting plate with integrated flushing in white vitreous set in cement concrete (631) with jhama chips complete (Payment of concrete will be paid seperately) (1) 450 mm x 350 mm	2.00	881.00	each	1762.00	
53	Supplying, fitting and fixing 10 litre P.V.C low-down cistern conforming to I.S. specification with P.V.C fittings complete, C.I. brackets including two coats of painting to bracket etc PWD S&P Schedule, Page No -36 Item No -2.	2.00	1015.00	each	2030.00	
54	Supplying, fitting and fixing 32 mm dia. Flush Pipe of approved make with necessary fixing materials and clamps complete (i) Polythene Flush Pipe PWD S&P Schedule, Page no 81 Item no 11(i)	2.00	155.00	each	310.00	
55	Supplying fitting and fixing urinal flush pipe fittings of approved brand (a) C.P. urinal/flush pipe fittings range of one PWD S&P Schedule, S P 81, item-12/a	2.00	414.00	each	828.00	
56	Supplying, fitting and fixing white vitreous china best quality approved make wash basin I) With C.I. brackets on 75 mm X 75 mm wooden blocks, C.P. waste fittings of 32 mm dia., ending good all damages and painting the brackets with two coats of approved paint 56 (ii) 550 mm X 400 mm size PWD S&P Schedule, P-41, It 2 (ii)	2.00	2208.00	each	4416.00	
57	Supplying fitting and fixing pedestal of approved make for wash basin (White) PWD S&P Schedule, P-41, It 3	2.00	1497.00	each	2994.00	
58	Supplying, fitting and fixing approved brand P.V.C CONNECTOR white flexible, with both ends coupling with heavy brass C.P. nut, 15 mm dia., (iii) 600 mm long PWD S&P Schedule, Page No -43 Item No -9-iii	5.00	107.00	each	535.00	
59	Supplying fitting and fixing approved brand 32 mm dia P.V.C waste pipe, with PVC coupling at one end fitted with necessary clamps (iv) 1050 mm long each PWD S&P Schedule, Page No -43 Item No 10-iv	4.00	91.00	each	364.00	
60	(f) Hand Shower (Health Faucet) with Inmr Flexible Tube with Wall Hook (Equivalent to ode No 573 & Model -ALLIED of Jaquar or similar) PWD S&P Schedule, Page No.-3 Item No - 3 f.	2.00	1251.00	each	2502.00	
61	(a) (i) Chromium plated Bib Cock short body (Equivalent to Code No 511 & Model - Tropical Samthing Special of ESSCO or similar brand) PWD S&P Schedule, Page No -6 Item No -7-a-i	3.00	539.00	each	1617.00	

63	Chromium plated angular Stop Cock with wall flange (Equivalent to Code No 5053 & Model - Florentine of Jaquar or similar brand) PWD S&P Schedule, Page No -6 Item No -7 d-i,	1.00	493.00	each	493.00
64	Supplying, fitting and fixing pillar cock of approved make a) (i) CP Pillar Cock - 15 mm (Equivalent to Code No 507 & Model - Tropical / Sumthing Special of ESSCO or similar brand) (P No - 45, Item No - 19(a)) Pwd Sanitary Plumbing Schedule 2017)	5.00	815.00	each	4075.00
65	Supplying, fitting and fixing PVC pipes of approved make of Schedule 80 (medium duty) conforming to ASTM D - 1785 and threaded to match with GI Pipes as per IS 1239 (Part - 1) with all necessary accessories, specials viz socket, bend, tee, union, cross, elbo, nipple, longscrow, reducing socket, reducing tee, short piece etc fitted with holder bats clamps, including cutting pipes, making threads fitting, fixing etc complete in all respect including cost of all necessary fittings as required jointing materials and two coats of painting with approved paint in any position above ground (Payment will be made on the centre line measurements of total pipe line including all specials. No separate payment will be made for accessories, specials. Payment for painting will be made separately) (a) For Exposed Work PVC Pipes, 25mm Page No -12 Item No -19-(a), PWD,VOL-11, 2017-18	2.00	555.00	each	1110.00
66	(a) (a) For Exposed Work PVC Pipes, 15 mm Page No -12 Item No -19-(a), PWD,VOL-11, 2017-18	15.00	177.00	mtr	2655.00
67	(b) For Concealed Work PVC Pipes, 15 mm Page No -12 Item No -19-(b), PWD,VOL-11, 2017-18	10.00	101.00	mtr.	1010.00
68	Supplying and fitting fixing of gunmetal wheel valve of approved brand and make tested to 21 Kg per sq cm 25 mm dia(E5) PWD S&P Schedule, P-5 It-5,vii),	10.00	137.00	mtr.	1370.00
69	Supplying P V C water storage tank of approved quality with closed top with lid (Black) - Multilayer (b) 1000 litre capacity PWDS&P Schedule, page.37,item no-6 (b)	2.00	778.00	each	1556.00
70	Labour for hoisting plastic water storage tank (i) Upto 1500 litre capacity (a) Upto 1st story from G L PWDS&P Schedule, page 37,item no-10 (i)(a)	2.00	5128.00	each	10256.00
71	Labour for punching hole in plastic water storage tank upto 50 mm dia. PWD S&P Schedule, (P No - 38, Item No - 13	2.00	96.00	each	192.00
72	Supply of UPVC pipes (B True) & fittings conforming to IS-13592- 1992 (A) m Single	6.00	19.00	each	114.00
73	(i) Coupler, (b) 110 mm	30.00	292.00	mtr.	8760.00
74	(ii) Plain Tee, (b) 110 mm	8.00	85.00	each	680.00
75	(iii) Door Tee, (b) 110 mm	12.00	85.00	each	1020.00
76	(iv) Bend 45(b) 110 mm	10.00	195.00	each	1950.00
77	(v) Door Bend (T S), (b) 110 mm	10.00	89.00	each	890.00
78	(vi) Pipe Clip, (b) 110 mm	7.00	147.00	each	1029.00
79	(vii) W C Connector (150 mm lonal 125 X 110(w/WC Ring) 75 mm	20.00	21.00	each	420.00
80	(viii) Plain Floor Tran with Too tile & Strainer 75 mm	4.00	142.00	each	568.00
81	(ix) Rubber Ring , (b) 110 mm	7.00	144.00	each	1008.00
82	(x) Rubber Lubricant 500 ML	15.00	17.00	each	255.00
83	(xi) Solvent Cement 250 ML	1.00	187.00	500ml	187.00
		1.00	103.00	250ml	103.00

	Supplying, fitting and fixing UPVC pipes for above ground work including cost of joining materials etc fitting and fixing all necessary specials, cutting pipes, cutting holes in total pipe including specials (B) Under ground (i) 110 mm dia PWDS&P Schedule, (P - 74, Item No - 24 (B))	25.00	84.00	mtr	2100.00
85	Supplying, fitting & fixing UPVC pipes A- Type and fittings conforming to IS 13592-1992 with all necessary clamps nails, including making holes in walls, floor etc cutting trenches in any soil through masonry concrete structures etc if necessary and mending complete A) UPVC Pipes (i) 75 mm Dia (P - 212, Item No - 21 (A)(i), (B),(c),(i) & (B), (d),(i), Pwd volume- i, 2017)	30.00	188.00	mtr	5640.00
86	86 B) UPVC Fittings c) Bend 87.5 degree (i) 75 mm Dia	6.00	95.00	mtr	570.00
87	87 B UPVC Fittings. d) Shoe fit 75 mm Dia	2.00	78.00	mtr	156.00
88	Constructing Inspection pit of inside measurement 600mm X 600mm X upto 600mm (depth) with 250 mm thick 1st class brick work in cement mortar (1:4) on all sides, bottom of the pit consisting of 100 mm thick cement concrete (1:3:6) with stone chips over a layer of bhama brick flat soling, 15 mm thick (1:4) cement plaster to inside walls and out-side walls upto G.L. and 20 mm thick (1:4) plaster to bottom of the pit, providing necessary invert with cement concrete (1:3:6) with stone chips as per direction, neat cement finishing to entire internal surfaces, top of the pit covered with 100 mm thick R.C.C. slab (1:1.5:3) with stone chips and necessary reinforcements upto 1% and 88 shuttering including 6 mm thick cement plaster (1:4) in all external surfaces of the slab and one 560 mm dia R.C.C. manhole cover of approved make supplied, fitted and fixed in the slab with necessary fittings, necessary earthwork in excavation in all sorts of soil, filling sides of the pit with earth and removing spoils after work complete in all respect with all costs of labour and materials (i) With Pakur variety (Other than SAIL/TATA/RINL) PWDS&P Schedule, S.P. 87, Item No-1(i), 7th Corrigena Volume ii	3.00	6471.00	each	19413.00
89	Construction of septic tank of different capacities as per approved drawing with 1st class brick work in cement mortar (1:4) including two 560 mm dia R.C.C. manhole cover heavy type of approved make supplied, fitted and fixed in the 100mm thick R.C.C. (1:1.5:3) top slab with necessary fittings, 20mm thick cement plaster (1:4) with neat cement finish to the internal surfaces and 15 mm thick cement plaster (1:4) to outside all upto 200 mm below G.L. floor finished with 25 mm thick grey artificial stone over 100 mm thick R.C.C. (1:1.5:3) bottom slab including supplying, fitting and fixing all necessary specials, fittings, S.W. tees, C.I. foot rest etc including excavation earth in all sorts of soil, shoring, bailing out and pumping out water as necessary, rramming, 89 dressing the bed and refilling the sides of the tanks with earth, removing spoils, filling up the chamber with clear water, removing foreign materials from the chamber and including constructing attached inspection pit as per approved drawing and connecting all necessary pipes, joints etc. with internal plaster work and artificial stone flooring is to be done with admixture of water proofing compound @ 0.5% by weight of cement with all costs of labour and materials (ii) For 20 users (i) With Pakur variety QSW/JSP/L/SHYAM/SRMB/ELECTROSTEEL/SSL) P, WDS&P Schedule, S.P. 88, Item No-3(ii)(A) 7th Corrigena Volume ii	1.00	82612.00	each	82612.00
90	Construction of circular soak well 2.5 metre deep in all types of sandy soils with dry brick work upto 1.6 metre from the bottom having 150 mm intermediate cement brick work (1:4) band all round and cement brick work (1:4) upto 0.90 metre from top with 20mm thick cement plastering (1:4) to inside face upto the depth of cement brick work, 5mm thick cement plaster (1:4) on outer face from top of the well upto G.L. and 6 mm thick cement plaster (1:4) on top of the R.C.C. cover slab including filling bottom 1.00 metre of inside of the well with brick metal (50 mm to 63 mm size) including R.C.C. cover slab of 100 mm thick with cement concrete (1:1.5:3) with stone chips with necessary reinforcement and shuttering including one 560 mm dia R.C.C. manhole cover (heavy type of approved make supplied, fitted and fixed in the cover slab with necessary fittings, making necessary arrangements for pipe connections, excavation of well including shoring, dewatering and removing the excess earth from the premises as per direction complete in all respect with all costs of labour and materials. With 250 mm thick dry brick work and 250 mm thick cement brick work (1:6) and 1.00m inside dia. (Other than SAIL/TATA/RINL) S.P. 89, Item No-4 7th Corrigena Volume ii	1.00	15599.00	each	15599.00
91	Supplying, fitting and fixing towel rail with two brackets (a) C.P. over brass (ii) 25 mm dia. and 600 mm long No- 22 (a)(i) PWD S&P Schedule, P No 82	2.00	430.00	each	860.00
92	Supplying, fitting and fixing bevelled edged mirror 5.5 mm thick silver red as per LS 3438/1965 together with brass C.P. hinges (ii) 600 mm X 450 mm PWD S&P Schedule, P-81, Jt-15(ii)	2.00	484.00	each	968.00
93	Supplying, fitting and fixing soap holder (b) Fibre glass Sanitary and plumbing work schedule P-82, Jt-18(b)	2.00	58.00	each	116.00

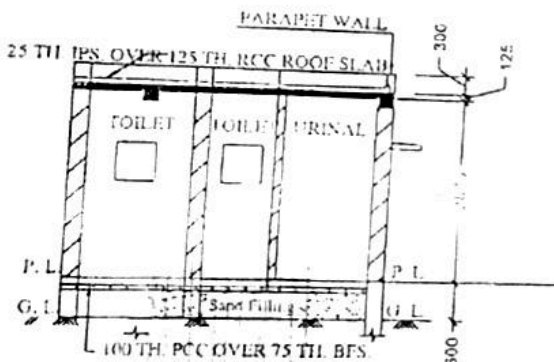
MODEL DRAWING FOR CONSTRUCTION OF C. T./P.T.
TOILET SEATS 2 NOS URINAL 3 NOS
MODEL NO. - F



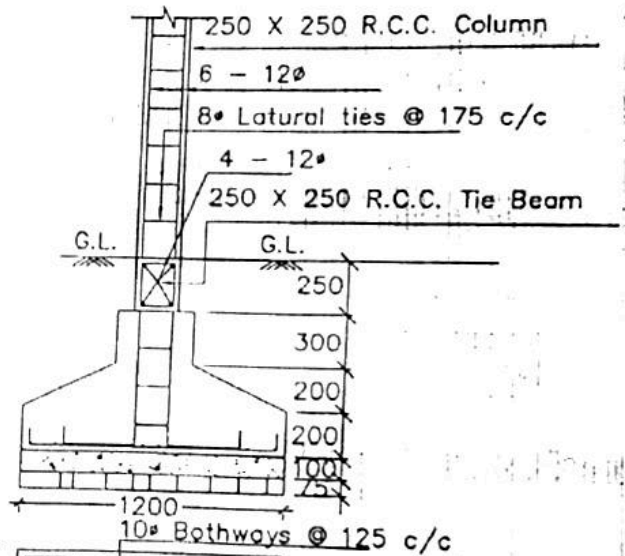
FRONT ELEVATION



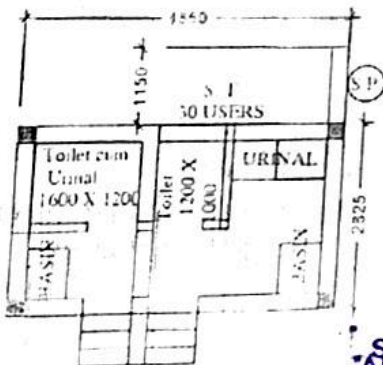
Details Of R.C.C Roof Slab & Beam
(SCALE - 1 : 25)



SECTION - 'A - A'



DETAILS OF R. C. C COLUMN
(SCALE - 1 : 25)



[Signature]
21/05/25
Sub Assistant Engineer
Dinhat Municipality

[Signature]
22/05/25
Chairman
Dinhat Municipality

Checked & Verified

[Signature]
Prabin Mukherjee
Engineer (Civil)
Hiji INSPIRATION

[Signature]
23/06/25
Junior Engineer
Cooch Behar Division M.E. Div.
Govt. of West Bengal



[Signature]
23/06/25
Assistant Engineer
Cooch Behar Division M.E. Div.
Govt. of West Bengal

**CONSTRUCTION OF TOILET BLOCK (CT/PT) MODEL NO - F
TOILET SEATS - 2 NOS AND URINAL - 3 NOS , NON SCHEDULE ITEMS**

SL.NO	Item Description & Item No.	Quantity	Rate	Unit	Amount
1	Non Shedule Item Sl. No. 91-106 (Order as per SUDA) standard plastic dustbin (12lits)	2	350	Each	700.00
2	Sinage APC based & Reflective vinyl	5	3776	each	18880.00
3	Supplying and fixing sinage with fixing stand post for public toilet for visible to passersby	5	1000	Each	5000.00
4	Glow Sign board Name and contact details of the following are displayed prominently - Toilet Identification number , name of ULB under which jurisdiction toilet is coverwd , ward number and maintanance authority prominently displayed for each toilet block supervisor, supervisor's agency and area sanitary inspector.	1	5000	each	5000.00
5	Installation of Sinage	1	2071	each	2071.00
6	Air freshner(pack of 4nos)	8	216	Each	1728.00
7	Air freshner (Napthaline 250 gm)	5	210	Each	1050.00
8	Supplying paper Napkin	5	50	Each	250.00
9	Supplying Sanitary Napkin (Whisper or similar make 50 pcs)	4	520	Each	2080.00
10	Harpic (blue 500 ml)	4	300	Each	1200.00
11	Harpic (Red 500 ml)	4	150	Each	600.00
12	Gala double lip floor wiper	4	350	Each	1400.00
13	Colin glass or surface cleaner	2	200	Lit	400.00
14	Muriatic Acid	2	145	Lit	290.00
15	Bleaching powder	4	120	Kg	480.00
16	Dettol ,lifeboy or similar make liquid soap	8	140	Lit	1120.00
17	Rubber hand gloves	6	80	Pair	480.00
18	Double side plastic brush	6	125	Each	750.00
19	Plastic Broom	4	170	Each	680.00
20	SMS/any other ICT based feedback system (With number displayed on which SMS has to be sent)	1	5000	each	5000.00
21	Mini Tulu Pump	1	4000	each	4000.00
22	supplying roaster /register for keeping acoount of regular cleanig	3	200	Each	600.00
23	Lettering on Toilet Wall for display of name and contact details of ULB ward number and name of maintanance authority , saniinspector, etc.	1	1000	each	1000.00
			TOTAL	Rs.	54759.00
	Add for Labour Welfare Cess @ 1%			Rs.	621.00
			Total:-	Rs.	55380.00
	Add for Contingency @ 3%			Rs.	1661.00
			TOTAL:-	Rs.	57041.00

VETTED

MM
24/6/25
Executive Engineer
Cooch Behar Division M.E. D
Govt. of West Bengal

[Signature]
21/05/25
Sub Assistant Engineer,
Dinhata Municipality

23/06/25
Junior Engineer,
Govt. of West Bengal

MAY BE VETTED

23/06/25
Assistant Engineer
Cooch Behar Division M.E. D
Govt. of West Bengal

22/05/25
Chairman
Dinhata Municipality

NAME OF WORK:- ESTIMATE FOR ELECTRICAL WORK OF PUBLIC TOILET AT NETAJI CENTENARY (UNIT-2) WARD NO. -10 UNDER DINHATA MUNICIPALITY OF WEST BENGAL (MODEL NO -F) [ASPIRATIONAL PARAMETER]

* As per PWD & I & WD schedule district charges will be applicable on PWD & I & WD schedule items

* No district charges will be applicable on non-schedule items

SI No.	Item Description	Unit	Quantity	Rate	Amount	Remarks
1	Distribution wiring in 2 x 22/0.3 (1.5 sqmm) single core stranded 'FR' PVC insulated & unsheathed copper wire (Brand approved by EIC) in 20mm size PVC rigid conduit 'FR' (Precision make), with 1x22/0.3 (1.5 sqmm) single core stranded 'FR' PVC insulated & unsheathed copper wire for ECC, to light/fan/call bell points with Piano Key type switch fixed on MS CRC sheet metal (16 SWG) switch board cum JB on wall complete with 2 no. suitable size "Ph & N" copper bar incl. bakelite/Perspex (wall matching color) top cover 3 mm thick and incl. 175mmx100mmx65mm inspection box, making earthing attachment, painting the MS box and mending good the damages to original finish. [PWD Schedule Page No-E-14 Item No-2a]	Point	12	673.20	8078.40	ADD DISTRICT CHARGES
	Average run 5 mtr					
2	Distribution wiring in 1.1 KV grade 22/0.3 (1.5 sqmm) single core stranded 'FR' PVC insulated & unsheathed copper wire (Brand approved by EIC) in 20mm size PVC rigid conduit 'FR' (Precision make), with 1.1 KV grade 1 x 22/0.3 (1.5 sqmm) single core stranded 'FR' PVC insulated & unsheathed copper wire as ECC, to 5A 3 pin flush type plug socket & Piano Key type switch fixed on MS CRC sheet metal (16 SWG) switch board cum JB on wall incl. bakelite/Perspex (wall matching color) top cover 3 mm thick and incl. painting the MS box and mending good the damages to original finish On Board (only for pay counter) [PWD Schedule Page No-E-15; I-4a]	Point	1	73.70	73.70	ADD DISTRICT CHARGES
3	Supplying and fixing 240V 32A Double Pole AC Type 30mA RCCB.(Complete Set) (ISI marked) [Make- Legrand] (Cat No 4113/95) [Legrand Page No-92]	Nos	1	5942.00	5942.00	NO DISTRICT CHARGES

4	Distribution wiring in 11 KV single core stranded 'FR' PVC insulated & unsheathed copper wire (Brand approved by EIC) in 20mm size PVC rigid conduit 'FR' (Precision make) incl. neey. fittings as required 2 x 36/0.3 (2.5 sqmm) + 1 x 22/0.3 (1.5 sqmm) ECC [PWD Schedule Page No-E-14 Item No-1a(ii)]	mtr	10	130.90	1309.90	ADD DISTRICT CHARGES
5	Supplying and fixing double-door SPN MCB Distribution Board with IP-42/43 protection, concealed in wall after cutting the wall & mending good the damages to original finish incl. Inter connection with suitable size of copper wire and neutral link & provision for earthing attachment. a) For (2+4 way) (Make -Havells) [PWD Schedule Page No-D-9;Item No-13]	No	1	1028.50	1028.50	ADD DISTRICT CHARGES
6	Supplying and fixing 240/415 V MCB of Breaking capacity 10kA & C characteristics on din rail of existing DBs and necessary connection 6-32A SP MCB (Make -Havells) [PWD Schedule Page No-D-6;Item No-7]	Nos	4	184.80	739.20	ADD DISTRICT CHARGES
7	Supplying and fixing 240/415 V MCB Isolator on din rail of existing DBs and necessary connection. 40A DP MCB Isolator (Make -Havells) [PWD Schedule Page No-D-5;Item No-6]	Nos	1	228.80	228.80	ADD DISTRICT CHARGES
8	Supply of TMC501 conventional industrial batten (Philips make) LED Tube,model no-TMC501 P1xT-LED 22W P3241 (WB I & WD schedule P-113, I- 5:3 F.22)	Nos	3	464.53	1393.59	ADD DISTRICT CHARGES
9	Fixing only single/twin fluroscent light fitting complete with all accessories directly on wall/ceiling by screws etc.. [PWD Schedule Page No-C-2;Item No-14a]	Nos	3	94.60	283.80	ADD DISTRICT CHARGES

10	Supply & fixing Bulk head light fittings with die cast aluminium housing frosted/clear glass on wall ceiling incl S/F 9 watt LED Lamp complete set. [Make - Havells] (PWD sch - Page--D-13, I-23)	Nos	3	711.90	2135.70	ADD DISTRICT CHARGES
11	Supply & fixing smart bright street light complete with all accessories to be fixed from the wall of building or on pole incl. making holes /providing clamping arrangement & necy. GI reducer as required.S&F 40 mm GI Pipe 1.5 mtr average length & s&f necy length of 1.5 sqmm pvc insulated single core copper wire & making connections as required & mending good damages incl wall paingting. (30 Watt) (Make - Bajaj) [WB I&WD sch P-111, I-f.9.0.2]	Nos	1	3106.48	3106.48	ADD DISTRICT CHARGES
12	Supply of 9" domestic metal exhaust fan 9" (225mm)SWEEP. TRANS AIR - (Make-Crompton/Havells/Bajaj) (UD & MA schedule P-14, I-5))	Nos	3	1863.00	5589.00	NO DISTRICT CHARGES
13	Fixing only exhaust fan after making hole in wall and making good damages and smooth cement finish etc. as practicable as possible and providing necy. length of PVC insulated wire and making connection for exhaust of following diameter: 22.5 cm (9") [PWD Schedule Page No-C-4;Iteam No-28(b)]	Nos	3	271.70	815.10	ADD DISTRICT CHARGES
14	Fixing only louver shutter/cowl on wall with necy. bolts & nuts (6 mm dia x 62 mm long) For 22.5 cm(9") Exhaust fan [PWD Schedule Page No-C-4;Iteam No-30(b)]	Nos	3	90.20	270.60	ADD DISTRICT CHARGES
15	Supply of 240V A.C Ceiling Fan (48" sweep, 1200 mm complete) [Make-Crompton [for counter only] (UD & MA schedule P- 23, I- 70)	Each	1	2283.00	2283.00	NO DISTRICT CHARGES

16	Fixing only Ceiling Fan [PWD sch P- C-3, I-21(a)]	Each	1	72.60	72.60	ADD DISTRICT CHARGES
17	Supply & Fixing 240 V, 16/20 A Piano key type switch (Brand approved by EIC) on sheet metal switch board incl. S & F 100x100x65mm MS (16SWG) switch board and bakelite/perspex top cover of 3mm thick by Brass screws after making housing for switch by cutting bakelite/perspex cover and making necessary connections as required. (For Hand Dryer machine) [PWD sch P- E-6, I-17(b)]	Each	1	221.10	221.10	ADD DISTRICT CHARGES
18	S/F 240V 25A Modular type starter (brand approved by EIC)with 25 A. Modular switch DP MCB (C-Curve)and 4 Module G.I. Moduar type switch board with 4 Module Top Cover Plate flushed in wall incl. S/F switch board and Cover Plate and making necy. Connections with PVC Copper wire and earth connectivity wire etc. as per schedule [for Pump] [PWD Schedule Page No-E-19, Item No-17] (Please follow in details)	Nos	1	862.40	862.40	ADD DISTRICT CHARGES
19	Supply and Fixing of 2 mm Polyvinyl glow sign board made of 22 SWG GI sheet box with 1"X1" aluminum channel for fixing the vinyl board after necessary cutting the letter as required & s/f LED tube light fittings along with all accessories. (16 sqft @495.00/sqft) (UD & MA schedule P-14, I-4)	Nos	1	7920.00	7920.00	NO DISTRICT CHARGES

Earthing installation by GI earth Spike (1830 X 20 mm) including 8SWG GI EarthWire & GI nuts, bolts, washer etc.	Nos	1	450.00	450.00	NO DISTRICT CHARGES
Total				42802.97	
Add 18% GST				7704.53	
Total With GST (A)				50507.50	
Cess@1%				505.08	
total				51012.58	
Contingency@3%				1515.23	
Total				52527.81	
Contingency Amount on "A"					
(Total+GST)=Rs:				52528.00	
Say Rs.					
Service Connection Charges as per Quotation					

[Signature]
19/02/25
Sub Assistant Engineer
Dinhata Municipality

[Signature]
19/02/25
Chairman
Dinhata Municipality

Say Rs. 52,528.00

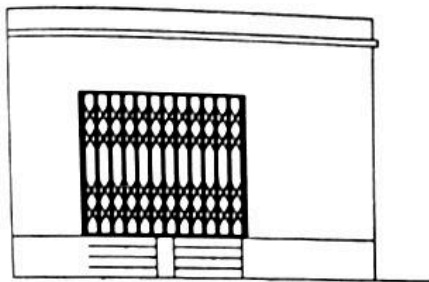
Technically Vetted Rs.: 52,528.00
(Rupees.. Fifty Two Thousand & 1 Hundred Twenty eight.)

60
05-03-25
Junior Engineer
Electrical & Mechanical Division
SUDA

526
27/2/25
ASSISTANT ENGINEER
ELECTRICAL & MECHANICAL DIVISION
SUDA

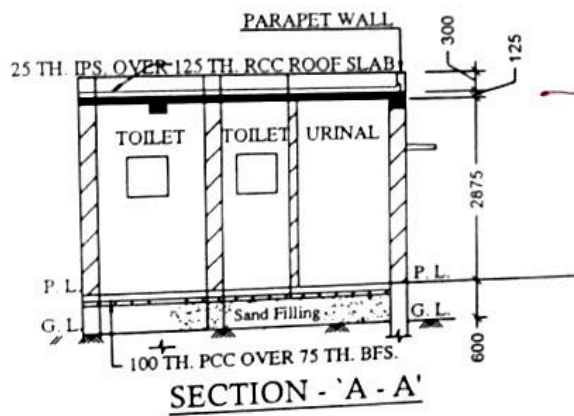
18/5/25
Executive Engineer (E/M)
O/O the Secretary M.E. Dto.
Government of West Bengal

Construction of the Public Toilet Block for Netaji Centenary School at ward no-10 under Dinhata Municipality. (Unit-2) (Model 'F')

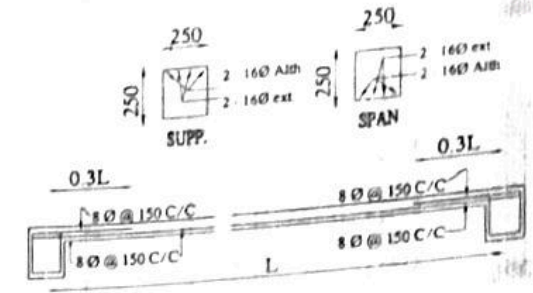
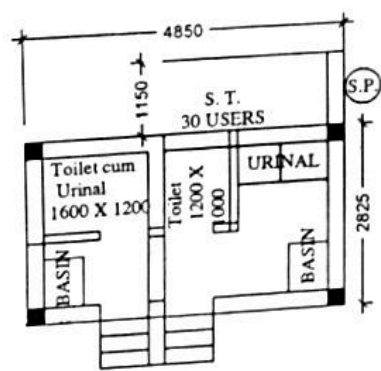


FRONT ELEVATION

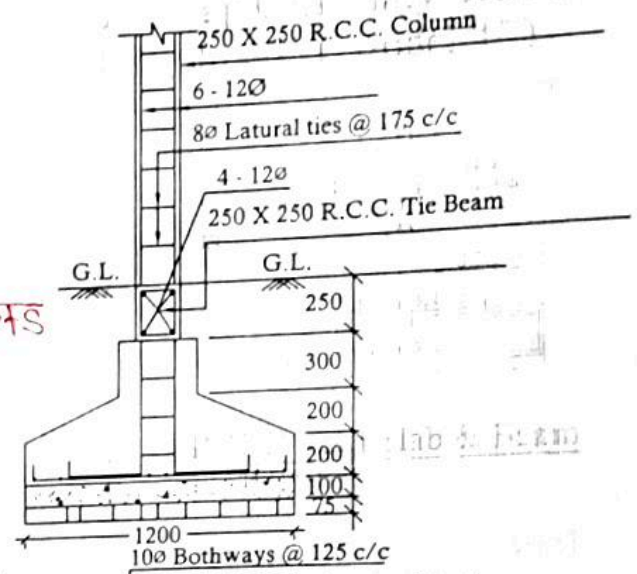
BHLP → 03
 TL → 03
 EF → 03
 OL → 01
 CF → 01
 GSB → 01



SECTION - 'A - A'



Details Of R.C.C Roof Slab & Beam
 (SCALE - 1 : 25)



DETAILS OF R. C. C COLUMN
 (SCALE - 1 : 25)

[Signature]
 19/02/25.
 Sub Assistant Engineer
 Dinhata Municipality

[Signature]
 19/02/25
 Chairman
 Dinhata Municipality

All Dimensions are in Millimeter