

NAME OF WORK:- ESTIMATE FOR ELECTRICAL WORK OF 3 URINAL SEATED PUBLIC TOILET AT SONALI SANGHA WARD NO. - 14 UNDER BARUIPUR MUNICIPALITY OF WEST BENGAL (MODEL NO - STAND ALLON)
[ASPIRATIONAL PARAMETER]

* As per PWD & I & WD schedule district charges will be applicable on PWD & I & WD schedule items

* No district charges will be applicable on non-schedule items

~~* No District Charges~~

Sl No.	Item Description	Unit	Quantity	Rate	Amount	Remarks
1	Distribution wiring in 2 x 22/0.3 (1.5 sqmm) single core stranded 'FR' PVC insulated & unsheathed copper wire (Brand approved by EIC) in 20mm size PVC rigid conduit 'FR' (Precision make), with 1x22/0.3 (1.5 sqmm) single core stranded 'FR' PVC insulated & unsheathed copper wire for ECC, to light/fan/call bell points with Piano Key type switch fixed on MS CRC sheet metal (16 SWG) switch board cum JB on wall complete with 2 no. suitable size "Ph & N" copper bar incl. bakelite/Perspex (wall matching color) top cover 3 mm thick and incl. 175mmx100mmx65mm inspection box, making earthing attachment, painting the MS box and mending good the damages to original finish. [PWD Schedule Page No-E-14 Item No-2a]	Point	10	612.00	6120.00	ADD DISTRICT CHARGES
	Average run 5 mtr					
2	Distribution wiring in 1.1 KV grade 22/0.3 (1.5 sqmm) single core stranded 'FR' PVC insulated & unsheathed copper wire (Brand approved by EIC) in 20mm size PVC rigid conduit 'FR' (Precision make), with 1.1 KV grade 1 x 22/0.3 (1.5 sqmm) single core stranded 'FR' PVC insulated & unsheathed copper wire as ECC, to 5A 3 pin flush type plug socket & Piano Key type switch fixed on MS CRC sheet metal (16 SWG) switch board cum JB on wall incl. bakelite/Perspex (wall matching color) top cover 3 mm thick and incl. painting the MS box and mending good the damages to original finish On Board (only for pay counter) [PWD Schedule Page No-E-15; I-4a]	Point	2	67.00	134.00	ADD DISTRICT CHARGES
3	Supplying and fixing 240V 32A Double Pole AC Type 30mA RCCB. (Complete Set) (ISI marked) [Make- Legrand] (Cat No 4113/95) [Legrand Page No-92]	Nos	1	5942.00	5942.00	NO DISTRICT CHARGES
4	Distribution wiring in 1.1 KV single core stranded 'FR' PVC insulated & unsheathed copper wire (Brand approved by EIC) in 20mm size PVC rigid conduit 'FR' (Precision make) incl. necy. fittings as required 2 x 36/0.3 (2.5 sqmm) + 1 x 22/0.3 (1.5 sqmm) ECC [PWD Schedule Page No-E-14 Item No-1a(ii)]	mtr	12	119.00	1428.00	ADD DISTRICT CHARGES

5	Supplying and fixing double-door SPN MCB Distribution Board with IP-42/43 protection, concealed in wall after cutting the wall & mending good the damages to original finish incl. Inter connection with suitable size of copper wire and neutral link & provision for earthing attachment. a) For (2+4 way) (Make -Havells) [PWD Schedule Page No-D-9;Iteam No-13]	No	1	935.00	935.00	ADD DISTRICT CHARGES
6	Supplying and fixing 240/415 V MCB of Breaking capacity 10kA & C characteristics on din rail of existing DBs and necessary connection 6-32A SP MCB (Make -Havells) [PWD Schedule Page No-D-6;Iteam No-7]	Nos	4	168.00	672.00	ADD DISTRICT CHARGES
7	Supplying and fixing 240/415 V MCB Isolator on din rail of existing DBs and necessary connection. 40A DP MCB Isolator (Make -Havells) [PWD Schedule Page No-D-5;Iteam No-6]	Nos	1	208.00	208.00	ADD DISTRICT CHARGES
8	Supply of TMC501 conventional industrial batten (Philips make) LED Tube,model no- TMC501 P1xT-LED 22W P3241 (WB I & WD schedule P-113, I- 5:3 F.22)	Nos	3	451.00	1353.00	ADD DISTRICT CHARGES
9	Fixing only single/twin flurosent light fitting complete with all accessories directly on wall/ceiling by screws etc.. [PWD Schedule Page No-C-2;Iteam No-14a]	Nos	2 3	86.00	172.00 258.00	ADD DISTRICT CHARGES
10	Supply & fixing Bulk head light fittings with die cast aluminium housing frosted/clear glass on wall/ceiling incl S/F 9 watt LED Lamp complete set. [Make - Havells] (PWD sch - Page--D-13, I-23)	Nos	3	579+ District Charges+75= 654.00	1962.00	ADD DISTRICT CHARGES
11	Supply & fixing smart bright street light complete with all accessories to be fixed from the wall of building or on pole incl. making holes /providing clamping arrangement & necy. GI reducer as required.S&F 40 mm GI Pipe 1.5 mtr average length & s&f necy length of 1.5 sqmm pvc insulated single core copper wire & making connections as required & mending good damages incl wall paingting. (30 Watt) (Make - Bajaj) [WB I&WD sch P-111, I-f.9.0.2]	Nos	1	3016.00	3016.00	ADD DISTRICT CHARGES
12	Supply of 9" domestic metal exhaust fan 9" (225mm)SWEEP. TRANS AIR - (Make-Crompton/Havells/Bajaj) (UD & MA schedule P-14, I-5))	Nos	3 2	1863.00	3726.00 5589.00	NO DISTRICT CHARGES
13	Fixing only exhaust fan after making hole in wall and making good damages and smooth cement finish etc. as practicable as possible and providing necy. length of PVC insulated wire and making connection for exhaust of following diameter: 22.5 cm (9") [PWD Schedule Page No-C-4;Iteam No-28(b)]	Nos	2	247.00	494.00	ADD DISTRICT CHARGES

14	Fixing only Louver shutter/cover on wall with necy. bolts & nuts (6 mm dia x 62 mm long) For 22.5 cm(9") Exhaust fan [PWD Schedule Page No-C-4;Item No-30(b)]	Nos	2	82.00	164.00	ADD DISTRICT CHARGES
15	Supply of 240V A.C Ceiling Fan (48" sweep,1200 mm complete) [Make-Crompton] for counter only] (UD & MA schedule P- 23, I- 70)	Each	0	2283.00	0.00	NO DISTRICT CHARGES
16	Fixing only Ceiling Fan [PWD sch P- C-3, I-21(a)]	Each	0	66.00	0.00	ADD DISTRICT CHARGES
17	Supply & Fixing 240 V, 16/20 A Piano key type switch (Brand approved by EIC) on sheet metal switch board incl. S & F 100x100x65mm MS (16SWG) switch board and bakelite/perspex top cover of 3mm thick by Brass screws after making housing for switch by cutting bakelite/perspex cover and making necessary connections as required. (For Hand Dryer machine) [PWD sch P- E-6, I-17(b)]	Each	2	201.00	402.00	ADD DISTRICT CHARGES
18	S/F 240V 25A Modular type starter (brand approved by EIC)with 25 A. Modular switch DP MCB (C-Curve)and 4 Module G.I. Moduar type switch board with 4 Module Top Cover Plate flushed in wall incl. S/F switch board and Cover Plate and making necy. Connections with PVC Copper wire and earth connectivity wire etc. as per schedule [for Pump] [PWD Schedule Page No-E-19, Item No-17] (Please follow in details)	Nos	1	784.00	784.00	ADD DISTRICT CHARGES
19	Supply and Fixing of 2 mm Polyvinyl glow sign board made of 22 SWG GI sheet box with 1"X1" aluminum channel for fixing the vinyl board after necessary cutting the letter as required & s/f LED tube light fittings along with all accessories. (16 sqft @495.00/sqft) (UD & MA schedule P-14, I-4)	Nos	1	7920.00	7920.00	NO DISTRICT CHARGES
20	Earthing installation by GI earth Spike (1830 X 20 mm) including 8SWG GI EarthWire & GI nuts, bolts, washer etc.	Nos	1	450.00	450.00	NO DISTRICT CHARGES
Total					37745.00	35968.00
Add 18% GST					6794.10	6474.24
Total With GST (A)					44539.10	42442.24
Cess@1%					445.39	424.22
total					44984.49	42866.66
Contingency Amount on "A"					1336.17	1273.26
(Total+GST)=Rs:					46320.66	44139.92
Say Rs.					46321	
Service Connection Charges as per Quotation						44,140.00

Technically Vetted Rs.: 44,140.00

(Rupees Forty four thousand only)

Arindam Dutta
12/08/25
Arindam Dutta
Junior Engineer (Civil)
Baruipur Municipality

Chairman
Chairman
BARUIPUR MUNICIPALITY

Executive Officer
Executive Officer
BARUIPUR MUNICIPALITY

Gautam Kumar Das
Gautam Kumar Das
Vice-Chairman
Baruipur Municipality

Assistant Engineer
ASSISTANT ENGINEER
ELECTRICAL & MECHANICAL DIVISION
SUDA

Executive Engineer (E/M)
Executive Engineer (E/M)
O/O the Secretary M.E. Dte.
Government of West Bengal

Junior Engineer
Junior Engineer
Electrical & Mechanical Divisor.
SUDA

**CONSTRUCTION OF STAND ALONG BLOCK INFRONT OF SONALI SANGHA WARD NO-14, UNDER
BARUIPUR MUNICIPALITY. . MODEL NO -STAND ALONG (ULB)
TOILET URINAL - 3 NOS NON SCHEDULE WORKS**

SL.NO	Item Description & Item No.	Quantity	Rate	Unit	Amount	
1	Non Shedule Item Sl. No. 91-106 (Order as per SUDA) standard plastic dustbin (12llts)	2	350	Each	1750.00	
2	Air freshner(pack of 4nos)	8	216	Each	1728.00	
3	Air freshner (Naphthaline 250 gm)	5	210	Each	1050.00	
4	supplying paper Napkin	5	50	Each	250.00	
6	Supplying Sanitary Napkin (Whisper or similar make 50 pcs)	4	520	Each	2080.00	
7	Harpic (blue 500 ml)	4	300	Each	1200.00	
8	Harpic (Red 500 ml)	4	150	Each	600.00	
9	Gala double lip floor wiper	4	350	Each	1400.00	
10	colin glass or surface cleaner	2	200	Lit	400.00	
11	Muriatic Acid	2	145	Lit	290.00	
12	Bleaching powder	4	120	Kg	480.00	
13	Dettol ,lifeboy or similar make liquid soap	8	140	Lit	1120.00	
14	Rubber hand gloves	6	80	Pair	480.00	
15	Double side plastic brush	6	125	Each	750.00	
16	Plastic Broom	4	170	Each	680.00	
17	supplying roaster /register for keeping acoount of regular cleanig	3	200	Each	600.00	
18	Signage ACP Base & reflective vinyl (1	3776	Each	3776.00	
19	Supplying and fixing sinage with fixing stand post for public toilet for visible to passersby	5	1000	Each	5000.00	
				Rs.	23634.00	
				Rs.	236.00	
	Add for Labour welfare Cess @ 1%			Rs.	23870.00	
				Total	Rs.	716.00
	Add for Contingency @ 3%			Rs.	24586.00	
				TOTAL	Rs.	24586.00

236.34
23870.34
709.02
24579.36

Arindam Dutta
Junior Engineer (Civil)
Baruipur Municipality

Gautam Kumar Das
Vice-Chairman
Baruipur Municipality

Chairman
BARUIPUR MUNICIPALITY.

Executive Officer
BARUIPUR MUNICIPALITY

[VETTED :- RS, 24, 579.00/- (Rupees Twenty Four Thousand Five Hundred Seventy Nine only)

PM 10/09/25
Executive Engineer (KMDA)
In-Charge of Executive Engineer.
Baruipur Municipality

4-4

CONSTRUCTION

BARUIPUR MUNICIPALITY
 OF STAND ALOM BLOCK INFRONT OF SONALI SANGHA WARD NO-14, UNDER BARUIPUR MUNICIPALITY. .
 MODEL NO -STAND ALON (ULB) CIVIL WORKS
 TOILET URINAL - 3 NOS

SL.NO	Item Description & Item No.	Quantity	Rate	Unit	Amount
1	Earth work in excavation of foundation trenches or drains, in all sorts of soil (including mixed soil but excluding laterite or sandstone) including removing, spreading or stacking the spoils within a lead of 75 m. as directed. The item includes necessary trimming the sides of trenches, levelling, dressing and ramming the bottom, bailing out water as required complete. (a) Depth of excavation not exceeding 1,500 mm. PWD Building Works schedule Page - 1, Item -2.a COLM. 2 X3 X 1.20 X 1.20 X 1.00 = 8.64 M3 partition wall 1x 1.00 x 0.375 x 0.150 = 0.056 m3	8.696	11927.00	% Cu.m	1037.17
2	Earth work in filling in foundation trenches or plinth with good earth, in layers not exceeding 150 mm. including watering and ramming etc. layer by layer complete. (Payment to be made on the basis of measurement of finished quantity of work). (a) With earth obtained from excavation of foundation. PWD Building Works schedule, Page - 1, Item -3.a 8.696 x 1/5 = 1.74 m3	1.740	7754.00	%um	134.92
3	Supplying and laying polythine sheet (150 gm/sq.m) over dampproof course or below flooring or roof terracing or foundation trenches. PWD Building Works schedule, Page -47, Item-3	11.60	24.00	Sq.M.	278.40
4	Single Brick Flat Soling of picked jhama bricks including ramming and dressing bed to proper level and filling joints with local sand. PWD Building Works schedule, Page- 14, Item - 1 (Corri. Page-01, Date-04-06-2018) 2*(3.625+1.7)*0.75 = 7.9875 m2 3.625*1.7 = 6.1625 m2	14.15	361.00	Sqm	5108.15
5	Cement concrete with graded jhama khoa (30 mm size) excluding shuttering in ground floor and foundation. (a) 1:3:6 proportion. PWD Building Works schedule, Page -23, Item - B.1.a, (Corri. Page- 09, Date-04-06-2018) Rate Analysis1 (Corri. Page-01, Date-04-06-2018) 14.15*.01 = 1.415 m3	1.415	4628.87	m3	6549.85
6	Brick work with 1st class bricks in cement mortar (1:4) (a) Foundation and plinth ground floor PWD Building Works schedule, Page -15, Item-7.a (Rate Analysis) 2 x 4.1x 0.625 x 0.15 = 0.769 m3 2X4.1X0.50X0.15 = 0.615 m3 2X4.1X0.375X0.275=0.846 M3 4.1X0.25X0.60 = 1.23 M3	3.460	5613.36	Cu.m	19422.23

SL.NO	Item Description & Item No.	Quantity	Rate	Unit	Amount
7	<p>25mm. thick damp proof course with cement concrete with stone chips (1:1.5:3) [with graded stone aggregate 10 mm nominal size] and admixture of water proofing compound as per manufacturer's specification followed by two coat of polymer based paint, (1st coat after 4 to 5 days of concrete laying and 2 nd coat just before brick masonry work) as directed (cost of water proofing compound & polymer based paint to be paid separately).(Chequering not required over concrete or painted surface). [Note: - Waterproofing as per item 9, polymer based paint as per item 8 (a) of subhead C of Section (C). PWD Building Works schedule, Page -47, Item -1 (Rate Analysis) $2 \times (3.625 + 1.7) \times 0.25 = 2.6625 \text{ m}^2$</p>	2.66 2.6625	184.28 ✓	Sqm	490.65 ✓
8	<p>Brick work, with 1st class bricks in cement mortar (1:4) (b) superstructure ground floor PWD Building Works schedule, Page -15, Item-7.b (Rate Analysis) $2 \times (3.625 + 1.7) \times 0.25 \times 2.4 = 6.39 \text{ m}^3$</p>	6.39	5836.36 ✓	Cu.m	37294.34 ✓
9	<p>125 mm brick work with 1st class bricks in cement mortar (1:4) in ground floor. PWD Building Works schedule, Page -16, Item-16, cori page -3, date -04.06.2018 (Rate Analysis) $1.7 \times 2.4 = 4.08 \text{ m}^2$</p>	4.08	728.47 ✓	Sq.M.	2972.16 ✓
10	<p>Hire and labour charges for shuttering with centering and necessary staging upto 4 m using approved stout props and thick hard wood planks of approved thickness with required bracing for concrete slabs, beams and columns, lintels curved or straight including fitting, fixing and striking out after completion of works (upto roof of ground floor) (f) 25 mm to 30 mm shuttering without staging in foundation PWD Building Works schedule, Page -42, Item- 36.f $2 \times 3.625 \times 1.7 = 12.325 \text{ m}^2$ $2 \times \{2 \times (3.625 + 1.7)\} \times 0.15 = 3.195 \text{ m}^2$ $2 \times \{2 \times (3.625 + 1.7)\} \times 0.25 = 5.325 \text{ m}^2$ $4 \times 1.0 \times 0.25 = 1.0 \text{ M}^2$ $4 \times 2 \times 1.3 \times 0.1 = 1.04 \text{ M}^2$</p>	22.89 22.885	209.00 ✓	Sqm	4782.97 ✓
11	<p>Ordinary Cement concrete (mix 1:1.5:3) with graded stone chips (20 mm nominal size) excluding shuttering and reinforcement, if any, in ground floor as per relevant IS codes. a) Pakur Variety / Chandil Variety PWD Building Works schedule, p-26 Item 10 a (Rate Analysis) $2 \times 3.625 \times 1.7 \times 0.1 = 1.2325 \text{ m}^3$ $2 \times 1.7 \times 0.25 \times 0.25 = 0.2125 \text{ m}^3$ $2 \times (3.625 + 1.7) \times 0.25 \times 0.25 = 0.666 \text{ m}^3$ $4 \times 1.2 \times 0.25 \times 0.25 = 0.30 \text{ m}^3$ $2 \times 2.325 \times 0.250 \times 0.150 = 0.174 \text{ m}^3$ $1 \times 4.85 \times 2.8250 \times 0.125 = 1.970 \text{ m}^3$</p>	2.411	5808.78 ✓	Cum	14004.97 ✓

SL.NO	Item Description & Item No.	Quantity	Rate	Unit	Amount
12	Reinforcement for reinforced concrete work in all sorts of structures including distribution bars, stirrups, binders etc initial straightening and removal of loose rust (if necessary), cutting to requisite length, hooking and bending to correct shape, placing in proper position and binding with 16 gauge black annealed wire at every intersection, complete as per drawing and direction. (a) For works in foundation and upto roof of ground floor/upto 4 m. (i) Tor steel/Mild Steel , JSPL/SWAYN/ELETRO/STEEL PWD Building Works schedule, Page - 43, Item - 40.a.1.1(Corrl. 10th Page-01, Date-23-01-2020) (Rate Analysis) Item no , 2.411X1.2%=227.11 KG=0.227 MT = 365.40 kg = 0.365 MT	0.365	55265.07	M.T.	20171.75
13	Collapsible gate with 40 mm x 10 mm x 6 mm Tee as top and bottom guide rail , 20 mm x 10 mm x 2 mm vertical channels 100 mm apart in full stretched position 20m x 5 mm MS flats as collapsible bracings properly reveted and washered including 38 mm steel roller including locking arrangements , fitted and fixed in position with lugs set in cement concrete including cutting necessary hikes chasing etc in walls , floors etc and making good all damages . PWD Building Works schedule, Page -106, Item- .18 2.1X2.775 = 5.8275 m2	5.83 5.8275	3402.00	Sqm	19825.16
14	Labour for Chipping of concrete surface before taking up Plastering work. PWD Building Works schedule, P-192, It-1 3.625X1.7=6.1625 M2	6.16 6.1625	21.00	Sqm	129.41
15	Plaster (to wall, floor, ceiling etc.) with sand and cement mortar including rounding off or chamfering corners as directed and raking out joints including throating, nosing and drip course, scaffolding/staging where necessary (Ground floor).[Excluding cost of chipping over concrete surface] (ii) With 1:4 cement mortar (c) 10 mm thick plaster PWD Building Works schedule, P-189 It- No. 1 (ii)(c) (Rate Analysis) 3.625X1.7=6.1625 M2	6.16 6.1625	130.53	Sqm	804.39
16	Plaster (to wall, floor, ceiling etc.) with sand and cement mortar including rounding off or chamfering corners as directed and raking out joints including throating, nosing and drip course, scaffolding/staging where necessary (Ground floor).[Excluding cost of chipping over concrete surface] (i) With 1:6 cement mortar (c) 15 mm thick plaster PWD Building Works schedule, P-189 It- No. 1 (Rate Analysis) 2X(3.625+1.7)X2.4= 25.56m2 2X1.7X2.4= 8.16 m2 2X(3.625+1.7)X3.45 = 36.74 m2	70.46	148.53	Sqm	10465.42
17	Neat cement punning about 1.5 mm thick in wall ,dado, window sills, floors etc . Note cement 0.152 m3/100 m2 PWD Building Works schedule, P-192 It- No. 15 2 (3.625+1.7) x 0.6 = 6.39 m2	6.39	32.75	Sq.m	209.27
18	Supplying, fitting and fixing fibre reinforced polymer (FRP) Composite door frame as per approved section with glass fibre reinforced plastic moulded skins and a special sandwich core, so as to impart monolithic composite structure as per approved technology of Department of Science and Technology (DST) to satisfy IS: 4020 door testing performance criteria.. (i) 66mm x 90mm PWD Building Works schedule, P-115, It - 3 (i) 2 (2x2.10 + 0.75) = 9.90 M	9.90	497.00	Mtr	4920.30

SL.NO	Item Description & Item No.	Quantity	Rate	Unit	Amount
19	Supplying, fitting & fixing fibre reinforced polymer (FRP) Composite door shutters as per approved design with glass fibre reinforced plastic moulded skins and a special sandwich core, so as to impart monolithic composite structure as per approved technology of Department of Science and Technology (DST) to satisfy IS:4020 door testing performance criteria. In ground floor. ii) 25 mm thick P-125, It- 14(ii) 2 x 2.10 x 0.75 = 3.15 m ²	3.15	2581.00	Sqm	8130.15
20	Anodised aluminium barrel / tower / socket bolt (full covered) of approved manufactured from extruded section conforming to I.S. 204/74 fitted and fixed with cadmium plated screws . (vii) 225mm long x 10mm dia. bolt. PWD Building Works schedule, P-144, It No. 26 (vii)	5.00	84.00	Each	420.00
21	Iron butt hinges of approved quality fitted and fixed with steel screws, with ISI mark. (viii) 100mm X 75mm X 3.50mm. PWD Building Works schedule, P-140, It No. -5 (viii)	15.00	66.00	Each	990.00
22	Anodised aluminium decorative handle (hexagonal / fluted) of approved quality fitted and fixed complete. (i) 150mm plate x 10mm dia rod x 12mm hexagonal/fluted. PWD Building Works schedule, Page -146 . Item no-31,(i)	10.00	87.00	Each	870.00
23	Iron hasp bolt of approved quality fitted and fixed complete (oxidised) with 16mm dia rod with concrete bolt and round fitting. .b)250mm long. PWD Building Works schedule, Page -141 . Item no-10 b)	2.00	159.00	Each	318.00
24	Supplying and laying chequered tiles of any shade and of approved quality with (1:1.5:3) cement concrete laied in pannels or patterns as directed in pavement ,footpath etc including necessary underlay 25 mm thick (avg)cement mortar (1:3) complete in all respect with all labour and materials. (Using cement slurry @4.4kg/sq.m at back side and @2.4 kg/sq.m for joint filling). PWD Building Works schedule, Page -74 , Item no- 46(i). 25 mm thick 1 x 2.00 x1.00 = 2.00 m ² 1 x 1.00 x 2.125 = 2.13 m ²	4.13	471.00	sq.m	1945.23
25	Rendering the Surface of walls and ceiling with White Cement base WATER PROOF wall putty of approved make & brand.(1.5 mm thick) In Ground Floor PWD Building Works schedule, PWD, P- 198, I - 5 6.16+70.46=76.62 M ²	76.62	122.00	Sqm	9347.64
26	Applying interior grade Acrylic Primer of approved quality and brand on plastered and concrete surface old or new surface to receive Distemper Acrylic emulsion paint including scraping and preparing the surface thoroughly , complete as per manufacturer's specification and as per direction of the E-I-C (Ground Floor) (b) Two Coats PWD Building Works schedule, Page -74 , Item no- 46(i). 5.1625+25.55+8.16 = 38.8825 M ²	38.88 38.8825	44.20	m ²	1718.61
27	Dry Destempering interial walls or ceiling including cleaning, washing, smoothening surface (b) two coats PWD Building Works schedule, Page -196 , Item no- 9(b) .	38.88 38.8825	49.00	m ²	1905.24

SL.NO	Item Description & Item No.	Quantity	Rate	Unit	Amount
28	Applying exterior grade Acrylic Primer of approved quality and brand on plastered or concrete surface old or new surface to receive Decorative Textured (Marrr Finish) or Smooth Finish Acrylic exterior emulsion paint including scraping and preparing the surface thoroughly , complete as per manufacturer's specification and as per direction of the EIC in Ground Floor (b) two coats. PWD Building Works schedule, Page -196 , Item no- 8(b)	57.70	4510.00	%m2	2602.27
29	Protective and Decorative Acrylic Exterior emulsion paint of approved quality, as per manufacturer's specification and as per direction of EIC to be applied overf Acrylic primer as required. The rate includes cost of materials, labour, scaffolding and all incidental charges but excluding the cost of primer in ground floor (two coats)(a) normal acrylic emulsion. PWD Building Works schedule, Page -197 , Item no- 17(a) 36.74 m2	36.74	67.00	m2	2461.58
30	Supplying and laying true to line and level vitrified tiles of approved brand (size not less than 600 mm X 600 mm X 10 mm thick) in floor, skirting etc. set in 20 mm sand cement mortar (1:4) and 2 mm thick cement slurry back side of tiles using cement @ 2.91Kg./sqM or using polymerised adhesive (6 mm thick layer applied directly over finished artificial stone floor/Mosaic etc without any backing course) laid after application slurry using 1.75 Kg of cement per sqM below mortar only, joints grouted with admixture of white cement and colouring Pigment to match with colour of tiles / epoxy grout materials of approved make as directed and removal of wax coating of top surface of tiles with warm water and polishing the tiles using soft and dry cloth upto mirror finish complete including the cost of materials, labour and all other incidental charges complete true to the manufacturer's specification and direction of Engineer-in-Charge. (White cement, synthetic adhesive and grout material to be supplied by the contrr[e] I (I) With application slurry @1.75 kg/ Sq.m, 20 mm sand cement mortar (1:4) & 2 mm thick cement slurry at back side of tiles, 0.2 kg/ Sq.m white cement for joint filling with pigment. (A) Deep Colour & White PWD Building Works schedule, Page-66 Item-36 (A) (3rd Floor 3.625X1.7 = 6.1625 m2 2X(3.625+1.7)X0.15=1.5975 M2 2X1.7X0.15=0.255 M2	8.02	1704.00	Sqm	13657.56

SLNO	Item Description & Item No.	Quantity	Rate	Unit	Amount
31	Supplying, fitting & fixing 1st quality Ceramic tiles in walls and floors to match with the existing work & 4 nos. of key stones (10mm) fixed with araldite at the back of each tile & finishing the joints with white cement mixed with colouring oxide if required to match the colour of tiles including roughening of concrete surface, if necessary or by synthetic adhesive & grout materials etc. B) Wall Area of each tile above 0.09 Sq.m ii) Other than Coloured decorative including white PWD Building Works schedule, page-64, Item:35.(B.) (b).(ii) (3rd Corrigendum, Page 36) 2x(3 625x1 7)x2 4=25.56	25.56	1047.00	Sqm	26761.32
32	Supplying profiles of required section made of Aluminium Alloy Extrusions conforming to IS: 732-1983 and IS: 1285- 1975; Anodized (with required film thickness and specified colour / natural) matt finished conforming to IS: 1868-1983 for fabrication of composit door, sliding & casement windows, partitions, formed of basic sections of any ISI embossed / certified make and brand as per direction of Engineer - In- Charge. (Payment will be made on finished length of the work). (A) In 10-12 Micron thickness Anodizing film i) Natural white h) Louvered window. i) Top, bottom and side member. PWD Building Works schedule, PWD, P-233, I- 1(h) i	6.50	183.00	M	1189.50
33	ii) Louvered Section.	7.20	658.00	M	4737.60
34	iii) Cleat angle (Non-anodized).	6.48	263.00	M	1704.24
35	Supplying bubble free float glass of approved make and brand conforming to IS: 2835-1987. iv) 5mm thick coloured / tinted / smoke glass. PWD Building Works schedule, P-243, I-9	1.08	585.00	Sq.M.	631.80
36	Painting block letters or digits in Black Japan or any approved paint as per direction. e) Size above 7.5 cm. and upto 10 cm. PWD Building Works schedule, P-268, It-17(e)	450.00	12.00	Each	5400.00
37	Supplying and planting of different plants / trees (supplying well grown plants bushy and healthy, minimum height as specified i.e. exposed height including all leads and lifts, carriage, handling, manuring applying pesticide and fertilizer etc. i) Furcaria Veriegated 10 to 12 leaves in height 20-30 cm in earthen pot of size 25 cm	10.00	162.00	Each	1620.00
38	x) Ficus blali (F. Vivicon) well branched (Bushy) of height 120cm - 135 cm in earthen pot of size 30cm. PWD Building Works schedule, Page -261, It- 9 (x)	3.00	187.00	Each	561.00
39	xxvi) Areca Palm 4 - 5 suckers of height 90 cm to 105 cm in earthen pots of size 25 cm. PWD Building Works schedule, Page -261, It- 9 (xxvi)	3.00	127.00	Each	381.00
40	SANITARY AND PLUMBING WORKS				0.00

SL.NO	Item Description & Item No.	Quantity	Rate	Unit	Amount
41	Supplying, fitting and fixing Flat back urinal (half stall urinal) in white vitreous chinaware of approved make in position with brass screws on 75 mm X 75 mm X 75 mm wooden blocks complete (ii) 470 mm X 280 mm X 340 mm PWD S&P Schedule, page.80, item no-6/(ii)	2.00	945.00	Each	1890.00
42	Supplying, fitting and fixing squatting plate with integrated flushing in white vitreous set in cement concrete (6:3:1) with jhama chips complete. (Payment of concrete will be paid separately) (I) 450 mm x 350 mm	1.00	881.00	each	881.00
43	Supplying, fitting and fixing urinal flush pipe fittings of approved brand. (a) C.P. urinal flush pipe fittings range of one PWD S&P Schedule, S.P.81, Item-12/a	3.00	414.00	Each	1242.00
44	Supplying, fitting and fixing white vitreous china best quality approved make wash basin with C.I. brackets on 75 mm X 75 mm wooden blocks, C.P. waste fittings of 32 mm dia., mending good all damages and painting the brackets with two coats of approved paint. (ii) 550 mm X 400 mm size PWD S&P Schedule, P-41, It 2 (ii)	2.00	2208.00	Each	4416.00
45	Supplying fitting and fixing pedestal of approved make for wash basin (White) PWD S&P Schedule, P-41, It 3	2.00	1497.00	Each	2994.00
46	Supplying, fitting and fixing approved brand P.V.C. CONNECTOR white flexible, with both ends coupling with heavy brass C.P. nut, 15 mm dia., (iii) 600 mm long PWD S&P Schedule, Page No.-43 Item No.-9-iii	5.00	107.00	Each	535.00
47	Supplying, fitting and fixing approved brand 32 mm dia. P.V.C. waste pipe, with PVC coupling at one end fitted with necessary clamps. (iv) 1050 mm long each PWD S&P Schedule, Page No.-43 Item No. 10-iv	2.00	91.00	Each	182.00
48	(a) (i) Chromium plated Bib Cock short body (Equivalent to Code No. 511 & Model - Tropical / Sumthing Special of ESSCO or similar brand). PWD S&P Schedule, Page No.-6 Item No.-7-a-i	5.00	539.00	Each	2695.00
49	(b) (i) Chromium plated Stop Cock (Equivalent to Code No. 513(A) & 513(B) & Model - Tropical / Sumthing Special of ESSCO or similar PWD S&P Schedule, Page No.-6 Item No.-7-b-i	2.00	493.00	Each	986.00
50	Chromium plated angular Stop Cock with wall flange (Equivalent to Code No. 5053 & Model - Florentine of Jaquar or similar brand). PWD S&P Schedule, Page No.-6 Item No.-7-d-i,	3.00	815.00	Each	2445.00
51	Supplying, fitting and fixing pillar cock of approved make. a) (i) CP Pillar Cock - 15 mm. (Equivalent to Code No. 507 & Model - Tropical / Sumthing Special of ESSCO or similar brand). (P. No. - 45, Item. No. - 19(a)i, Pwd Sanitary Plumbing Schedule 2017)	2.00	555.00	Each	1110.00

SL.NO	Item Description & Item No.	Quantity	Rate	Unit	Amount
52	Supplying, fitting and fixing PVC pipes of approved make of Schedule 80 (medium duty) conforming to ASTM D - 1785 and threaded to match with GI Pipes as per IS : 1239 (Part - I). with all necessary accessories, specials viz. socket, bend, tee, union, cross, elbo, nipple, long screw, reducing socket, reducing tee, short piece etc. fitted with holder bats clamps, including cutting pipes, making threads, fitting, fixing etc. complete in all respect including cost of all necessary fittings as required, jointing materials and two coats of painting with approved paint in any position above ground. (Payment will be made on the centre line measurements of total pipe line including all specials. No separate payment will be made for accessories, specials. Payment for painting will be made separately) (a) For Exposed Work PVC Pipes, 25 mm Page No.-12 Item No.-19-i(a), PWD,VOL-II, 2017-18	15.00	177.00	Mtr	2655.00
53	(a) (a) For Exposed Work PVC Pipes, 15 mm Page No.-12 Item No.-19-i(a), PWD,VOL-II, 2017-18	10.00	101.00	Mtr	1010.00
54	(b) For Concealed Work PVC Pipes, 15 mm Page No.-12 Item No.-19-i(b), PWD,VOL-II, 2017-18	10.00	137.00	Mtr	1370.00
55	Supplying and fitting fixing of gunmetal wheel valve of approved brand and make tested to 21 Kg per sq. cm. 25 mm dia(E5) PWD S&P Schedule, P-5 It-5,vii,	1.00	778.00	Each	778.00
56	Supplying P.V.C. water storage tank of approved quality with closed top with lid (Black) - Multilayer (b) 1000 litre capacity PWD S&P Schedule, page.37,item no-6 (b)	2.00	5128.00	Each	10256.00
57	Labour for hoisting plastic water storage tank. (i) Upto 1500 litre capacity. (a) Upto 1st story from G.L. PWD S&P Schedule, page.37,item no-10 (i)(a)	2.00	96.00	Each	192.00
58	Labour for punching hole in plastic water storage tank upto 50 mm dia. PWD S&P Schedule, (P. No. - 38, Item. No. - 13	4.00	19.00	Each	76.00
59	Supply of UPVC pipes (B Type) & fittings conforming to IS-13592- 1992.(A) (i) Single Socketed 3 Meter Length, (b) 110 mm PWD S&P Schedule, Page No.-68 Item No. 23,(A)(i)(b)	6.00	292.00	Mtr	1752.00
60	(iii) Door Tee, (b) 110 mm	2.00	195.00	Each	390.00
61	xxxi) Plain Floor Trap with Top tile & Strainer 75 mm	2.00	144.00	Each	288.00
62	L) Rubber Ring, (b) 110 mm	4.00	17.00	Each	68.00
63	C) Rubber Lubricant 500 ML	1.00	187.00	500 ML	187.00
64	D) Solvent Cement 250 ML	1.00	103.00	250 ML	103.00

Sl.No	Item Description & Item No.	Quantity	Rate	Unit	Amount
65	Constructing inspection pit of inside measurement 600mm X 600mm X upto 600mm (depth) with 250 mm thick 1st. class brick work in cement mortar (1:4) on all sides, bottom of the pit consisting of 100 mm thick cement concrete (1:3:6) with stone chips over a layer of jhama brick flat soling. 15 mm thick (1:4) cement plaster to inside walls and out-side walls upto G.L. and 20 mm thick (1:4) plaster to bottom of the pit, providing necessary invert with cement concrete (1:3:6) with stone chips as per direction, neat cement finishing to entire internal surfaces, top of the pit covered with 100 mm thick R.C.C. slab (1:1.5:3) with stone chips and necessary reinforcements upto 1% and shuttering including 6 mm thick cement plaster (1:4) in all external surfaces of the slab and one 560 mm dia. R.C.C. manhole cover of approved make supplied, fitted and fixed in the slab with necessary fittings, necessary earthwork in excavation in all sorts of soil, filling sides of the pit with earth and removing spoils after work complete in all respect with all costs of labour and materials. i) With Pakur variety (Other than SAIL/TATA/RINL). PWD S&P Schedule, S.P.87, Item No-1/(i), 7th Corrigenda Volume ii	2.00	7248.00	Each	14496.00
66	Construction of circular soak well 2.5 metre deep in all types of sandy soils with dry brick work upto 1.6 metre from the bottom having 150 mm intermediate cement brick work (1:4) band all round and cement brick work (1:4) upto 0.90 metre from top with 20mm thick cement plastering (1:4) to inside face upto the depth of cement brick work, 15mm thick cement plaster (1:4) on outer face from top of the well upto G.L. and 6 mm thick cement plaster (1:4) on top of the R.C.C. cover slab including filling bottom 1.00 metre of inside of the well with brick metal (50 mm to 63 mm size) including R.C.C. cover slab of 100 mm thick with cement conc (1:1.5:3) with stone chips with necessary reinforcement and shuttering including one 560 mm dia. R.C.C. manhole cover (heavy type) of approved make supplied, fitted and fixed in the cover slab with necessary fittings, making necessary arrangements for pipe connections, excavation of well including shoring, dewatering and removing the excess earth from the premises as per direction complete in all respect with all costs of labour and materials. With 250 mm thick dry brick work and 250 mm thick cement brick work (1:6) and 1.00m inside dia. (Other than SAIL/TATA/RINL) S.P.89, Item No-4 7th Corrigenda Volume ii	2.00	16621.00	Each	33242.00
67	Supplying, fitting and fixing towel rail with two brackets. (a) C.P. over brass (ii) 25 mm dia. and 600 mm long P.W.D S&P Schedule, P-82, It-22 (a)(ii)	2.00	430.00	Each	860.00
68	Supplying, fitting and fixing bevelled edged mirror 5.5 mm thick silver red as per I.S. 3438 / 1965 together with brass C.P. hinges. (ii) 600 mm X 450 mm P.W.D S&P Schedule, P-81, It-15(ii)	2.00	484.00	Each	968.00
69	Supplying, fitting and fixing soap holder. (b) Fibre glass Sanitary and plumbing work schedule P-82, It-18(b)	2.00	58.00	Each	116.00
70	Supplying, fitting and fixing glass shelf with aluminium guard rails. (a) Ordinary type with 5.5 mm sheet glass (i) 450 mm X 425 mm Sanitary and plumbing work schedule P-81, It-16(a)(i)	2.00	341.00	Each	682.00
					324819.24
	Add S.G.S.T. @9 %		9%		29233.73
	Add C.G.S.T. @9 %		9%		29233.73
	Cost Of Civil Work				383286.70
	Add Labour.Welfare.Cess. @ 1 %		1%		3832.87
	Total Amount Including Labour.Welfare.Cess.				387119.57
	Add Contingency @3%				11613.59
	Total Amount Including Labour.Welfare.Cess. and Contingency				398733.16
					398733

Arindam Dutta
Junior Engineer (Civil)
Baruipur Municipality

Sautam Kumar Das
Vice-Chairman
Baruipur Municipality

Chairman 11498.60
Executive Officer 398618.17
BARUIPUR MUNICIPALITY
398618.06

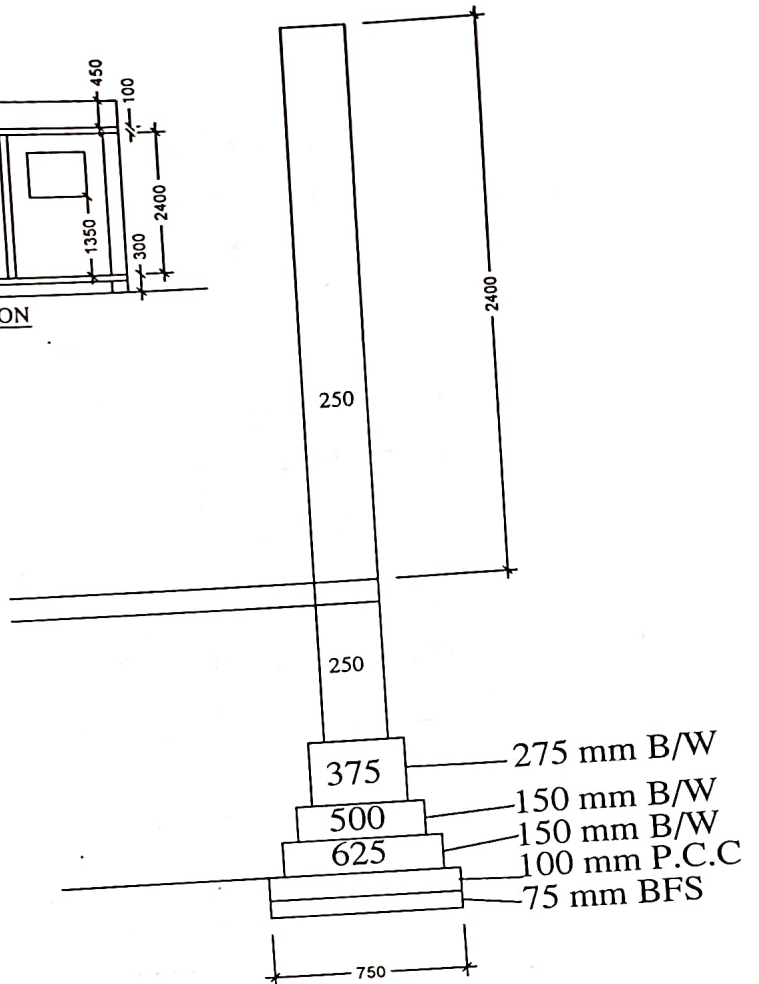
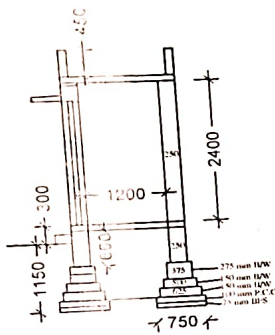
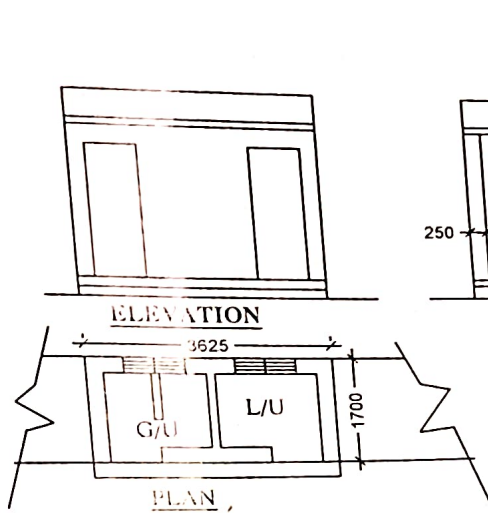
[VETTED:- ₹3,98,618.00 (Rupees Three Lakh ninety
Eight Thousand six Hundred Eighteen only.)]

PM 10/10/25
Executive Engineer (KMDA)
In-Charge of Executive Engineer
Baruipur Municipality

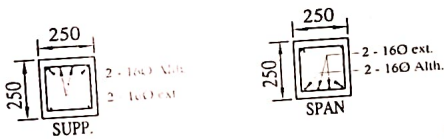
BARUIPUR MUNICIPALITY
Executive Officer

BARUIPUR MUNICIPALITY
Executive Officer (Civil)

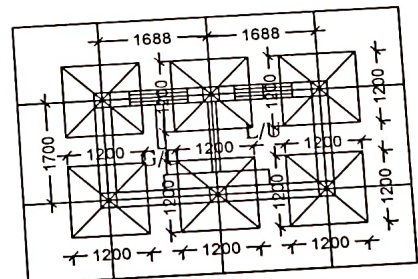
BARUIPUR MUNICIPALITY.
CONSTRUCTION OF STAND ALON BLOCK INFRONT OF SONALI SANGHA
WARD NO-14, UNDER BARUIPUR MUNICIPALITY. . MODEL NO -
STAND ALON (ULB) CIVIL WORKS
TOILET URINAL - 3 NOS



Details Of Brick Foundation & wall
 (SCALE - 1 : 25)



Details Of R.C.C Roof Slab & Beam
 (SCALE - 1 : 25)



Arindam
Arindam Dutta
 Junior Engineer (Civil)
 Baruiipur Municipality