

**OFFICE OF THE BOLPUR MUNICIPALITY
BOLPUR : BIRBHUM**

ESTIMATE NO Bm/EST/21/2025-26 Dated :- 02.07.2025

SOR USED :- P.W.D Schedule of Rates, Vol-I for Building Works with w.e.f 01.12.2015 Incorporate the "GOODS AND SERVICE TAX ACT 2017" & 14 th Addenda & Corrigenda Dated-08.03.2021 AND Vol-II for Sanitary and Plumbing Works with w.e.f 01.12.2015 Incorporate the "GOODS AND SERVICE TAX ACT 2017" and Latest Corrigenda and Addenda.

COST ABSTRACT

Sl. No.	Name of the Work	Estimated amount including 18% GST, 1% L.W. Cess & 3% Contingency
1	Model-A Estimate for Construction of community toilet at Bali Para Anganwari Center, Ward-03 under Bolpur Municipality	8,89,249.00 ₹ 9,72,903.00
2	Non Schedule item for Construction of community Toilet at Bali Para Anganwari Center , Ward-03 under Bolpur Municipality	5483.00 ₹ 58,041.00
Total in Rs.		₹ 10,30,944.00 ₹ 10,30,944.00

Rupes Ten lakhs Thirty thousand Nine hundred Forty Four only

Rupee nine lakhs forty seven thousand four hundred ninety ^{sin} ^{Savah} ^{Thi to Two}
only/ =

OFFICE OF THE BOLPUR MUNICIPALITY
BOLPUR : BIRBHUM

Modal A

NAME OF WORK : Estimate for Construction of community toilet at Ball Para Anganwari Center, Ward-03 under Bolpur Municipality

NOTES : PWD schedule of Rates Vol I for Building Works with w.e.f 01.12.2015 incorporate the "GROSS ABB SERVICE TAX ACT 2017" & 14 th Addenda & corrigenda dated 09.04.2021 And Vol II for Sanitary and Plumbing Works with w.e.f 01.12.2015 incorporate the "GROSS ABB SERVICE TAX ACT 2017" and latest corrigenda and Addenda.

Physical Achievement: TOILET SEAT- 5 NOS AND URINAL- 5 NOS

Sl. No.	Item Description & Item No.	Nos	I	II	III	Total	Total Quantity	Rate	Unit	Amount
1	Earth work in excavation of foundation trenches or drains, in all sorts of soil (including mixed soil but excluding laterite or sandstone) including removing, spreading or stacking the spoils within a lead of 25 m, as directed. The item includes necessary trimming the sides of trenches, levelling, dressing and ramming the bottom, bailing out water as required complete. (a) Depth of excavation not exceeding 1,500 mm. PWD Building Works schedule Page - 1, Item -2.a									
	COEF	0	1.20	1.20	1.00	0.04				
	Ramp	2	2.50	0.375	0.15	0.281				
	Partition Wall	1	1.00	0.375	0.15	0.056	8.978	114.27	Cum	1070.75
2	Earth work in filling in foundation trenches or plinth with good earth, in layers not exceeding 150 mm, including watering and ramming etc. layer by layer complete. (Payment to be made on the basis of measurement of finished quantity of work). (a) With earth obtained from excavation of foundation. PWD Building Works schedule, Page - 1, Item -3.a $1/3 \times 8.98 = 2.99$ M3						2.990	77.54	Cum	231.84
3	(A) Filling in foundation or plinth by silver sand in layers not exceeding 150 mm as directed and consolidating the same by thorough saturation with water, ramming complete including the cost of supply of sand. (payment to be made on measurement of finished quantity) PWD Building Works schedule, Page - 2, Item -4.a									
		1	7.375	3.25	0.325		7.790	572.55	Cum	4460.08

Item Description & Item No.	Nos	L	B	H	Total	Total Quantity	Rate	Unit	Amount
Single Brick Flat Soling of picked jhama bricks including ramming and dressing bed to proper level and filling joints with local sand. PWD Building Works schedule, Page- 14, Item - 1 (Corri. Page-01, Date-04-06-2018)									
	6	1.20	1.20		8.64				
	2	2.50	0.375		1.88				
	1	1.00	0.375		0.38				
	2	1.50	1.00		3.00				
	1	7.375	3.250		23.97	37.86	266.00	Sqm	10070.43
5 Ordinary Cement concrete (mix 1:1.5:3) with graded stone chips (20 mm nominal size) excluding shuttering and reinforcement,if any, in ground floor as per relevant IS codes. a) Pakur Variety /Chandil Variety PWD Building Works schedule, p-26 Item 10 a (Rate Analysis)									
	6	1.20	1.20	0.150	1.296				
	$2 \times 3 \times (1.20 \times 1.20) + (0.250 \times 0.250) / 2 \times 0.150 = 0.676 \text{ m}^3$					0.676			
	6	0.250	0.250	3.000	1.125				
	4	2.525	0.250	0.250	0.631				
	3	3.000	0.250	0.250	0.563				
	4	2.525	0.250	0.150	0.379				
	3	3.000	0.250	0.150	0.338				
	1	7.375	3.250	0.100	2.397	7.404	5102.76	Cum	37780.20
6 Cement concrete with graded jhama khoa (30 mm size) excluding shuttering In ground floor and foundation. (a) 1:3:6 proportion. PWD Building Works schedule, Page -23, Item -B.1.a, (Corri. Page- 09, Date-04-06-2018) Rate Analysis1 (Corri. Page-01, Date-04-06-2018)									
	6	1.200	1.200	0.100	0.864				
	2	2.500	0.375	0.100	0.188				
	1	1.000	0.375	0.100	0.038				
	2	1.500	1.000	0.100	0.300				
	1	7.375	3.250	0.100	2.397	3.787	3900.26	m3	14770.28

Item Description & Item No.	Nos	L	B	H	Total	Total Quantity	Rate	Unit	Amount
7 mm. thick damp proof course with cement concrete with stone chips (1:1.5:3) [with graded stone aggregate 10 mm nominal size] and admixture of water proofing compound as per manufacturer's specification followed by two coat of polymer based paint, (1st coat after 4 to 5 days of concrete laying and 2 nd coat just before brick masonry work) as directed (cost of water proofing compound & polymer based paint to be paid separately). (Chequering not required over concrete or painted surface). [Note: - Waterproofing as per Item 9, polymer based paint as per Item 8 (a) of subhead C of Section (C). PWD Building Works schedule, Page -47, Item -1 (Rate Analysis)									
	2	7.38	0.25		3.69				
	3	3.25	0.250		2.44	6.13	169.16	Sqm	1036.11
8 125 mm brick work with 1st classbricks in cement mortar (1:4) in ground floor. PWD Building Works schedule, Page -16, Item-16, corl page -3, date - 04.06.2018 (Rate Analysis)									
	5	1.20	3.00		18.00				
	3	1.00	3.000		9.00	27.00	584.53	Sqm	15782.31
9 Supplying and laying polythine sheet (150 gm/sq.m) over dampproof course or below flooring or roof terracing or foundation or foundation trenches. PWD Building Works schedule, Page -47, Item-3						37.87	24.00	Sq.M.	908.88
10 Hire and labour charges for shuttering with centering and necessary staging upto 4 m using approved stout props and thick hard wood planks of approved thickness with required bracing for concrete slabs, beams and columns, lintels curved or straight including fitting, fixing and striking out after completion of works (upto roof of ground floor) (f) 25 mm to 30 mm shuttering without staging in foundation PWD Building Works schedule, Page -42, Item- 36.f									
	4	7.38	0.250		7.38				
	6	3.25	0.25		4.88				
	24	1.2	0.150		4.32	16.57	205.00	Sqm	3396.85

Description & Item No.	Nos	L	B	H	Total	Total Quantity	Rate	Unit	Amount
<p>and labour charges for shuttering with centering and necessary staging upto 4 m using approved stout props and thick hard wood planks of approved thickness with required bracing for concrete slabs, beams and columns, lintels curved or straight including fitting, fixing and striking out after completion of works (upto roof of ground floor)</p> <p>(a) 25 mm to 30 mm thick wooden shuttering as per decision & direction of Engineer-In-Charge.</p> <p>PWD Building Works schedule, Page -42, Item- 36.a</p>									
$2(7.375 + 3.25) \times 0.125 = 2.66 \text{ m}^2$	2	7.375	0.125		1.84375				
	2	3.25	0.125		0.8125				
$6(0.30+0.25) \times 3.00 = 9.90 \text{ m}^2$	6	0.3	3.00		5.40				
	6	0.25	3		4.50				
	1	7.375	3.25		23.97				
	4	7.375	0.125		3.69				
	6	3.25	0.125		2.44	42.66	328.00		13992.48
<p>12 Artificial stone in floor ,dado, staircase etc with cement mortar (1:2:4)with stone chips lsied in panels as directed with topping made with ordinary or white cement (as necessary) and marbel dust in proportion (1:2) in cluding smooth finishing and rounding off corners including raking out joints or roughening of concrete surface and application of cement slurry before flooring works using cement @ 1.75 kg/ sq.m all complete including all materials and labour.In ground floor</p> <p>3 mm thick topping using gray cement (ii)25 mm</p> <p>PWD Building Works schedule, p-48 Item 6(ii)</p>									
	1	7.375	3.25		23.97	23.97	240.71		5769.82

Description & Item No.	Nos	L	B	H	Total	Total Quantity	Rate	Unit	Amount
<p>Reinforcement for reinforced concrete work in all sorts of structures including distribution bars, stirrups, binders etc initial straightening and removal of loose rust (if necessary), cutting to requisite length, hooking and bending to correct shape, placing in proper position and binding with 16 gauge black annealed wire at every intersection, complete as per drawing and direction. (a) For works in foundation and upto roof of ground floor/upto 4 m.</p> <p>(i) Tor steel/Mild Steel , JSP/ SWAYN/ELETR/STEEL PWD Building Works schedule, Page - 43, Item - 40.a.1.1(Corri. 10th Page-01, Date- 23-01-2020) (Rate Analysis)</p> <p>Item no , vol of conc. $7.90 \times 1.20 \% = 0.0948 \text{ m}^3 \times 35.315 \text{ c.ft} = 3.348 \text{ c.ft} \times 225 \text{ kg} = 753.30 \text{ kg} = 0.753 \text{ MT}$</p>						0.753	54439.07	M.T.	40992.62
<p>14 Collapsible gate with 40 mm x 10 mm x 6 mm Tee as top and bottom guide rail , 20 mm x 10 mm x 2 mm vertical channels 100 mm apart in full stretched position 20m x 5 mm MS flats as collapsible bracings properly reveted and washered including 38 mm steel roller including locking arrangements , fitted and fixed in position with lugs set in cement concrete including cutting necessary hikes chasing etc in walls , floors etc and making good all damages . PWD Building Works schedule, Page - 106, Item- .18 $2 \times 1.00 \times 2.10 = 4.20 \text{ m}^2$</p>						4.20	4330.00	Sqm	18186.00
<p>15 Brick work with 1st class bricks in cement mortar (1:4) (a) Foundation and plinth ground floor PWD Building Works schedule, Page -15, Item-7.a</p>	2	7.375	0.25	0.6	2.21				
	3	3.25	0.25	0.6	1.46				
	2	2.5	0.25	0.6	0.75				
	2	1	0.5	0.3	0.3	4.720	4443.63	cum	20976.43
<p>16 Brick work with 1st class bricks in cement mortar (1:4) (b) superstructure ground floor PWD Building Works schedule, Page -15, Item-7</p>	2	7.375	0.25	3	11.06				
	3	3	0.25	3	6.75	17.810	4667.18 4666.63	cum	82922.48 83112.68
<p>17 Labour for Chipping of concrete surface before taking up Plastering work. PWD Building Works schedule, P-192, It-1</p>						25.81	21.00	Sqm	542.01

Item Description & Item No.	Nos	L	B	H	Total	Total Quantity	Rate	Unit	Amount
Plaster (to wall, floor, ceiling etc.) with sand and cement mortar including rounding off or chamfering corners as directed and raking out joints including throating, nosing and drip course, scaffolding/staging where necessary (Ground floor).[Excluding cost of chipping over concrete surface] (i) With 1:6 cement mortar (c) 15 mm thick plaster PWD Building Works schedule, P-189 It- No. 1 (Rate Analysis)									
	2	7.375	3.75		55.31				
	2	3.250	3.750		24.38				
	2	7.375	3.000		44.25				
	2	3.250	3.00		19.50				
	6	1.000	3.000		18.00				
	10	1.200	3.000		36.00	197.44	130.55	Sqm	25775.79
19 Plaster (to wall, floor, ceiling etc.) with sand and cement mortar including rounding off or chamfering corners as directed and raking out joints including throating, nosing and drip course, scaffolding/staging where necessary (Ground floor).[Excluding cost of chipping over concrete surface] (ii) With 1:4 cement mortar (c) 10 mm thick plaster PWD Building Works schedule, P-189 It- No. 1 (ii)(c) (Rate Analysis)									
	1	7.375	3.500		25.81	25.81	119.55	Sqm	3085.59
20 Neat cement punning about 1.5 mm thick in wall ,dado, window sills, floors etc . Note cement 0.152 m3/100 m2 PWD Building Works schedule, P-192 It- No. 15 $1 \times (7.40 + 2 \times 2.75) \times 0.75 = 9.68 \text{ m}^2$						9.68	32.76	Sq.m	317.12
21 Supplying, fitting and fixing fibre reinforced polymer (FRP) Composite door frame as per approved section with glass fibre reinforced plastic moulded skins and a special sandwich core, so as to impart monolithic composite structure as per approved technology of Department of Science and Technology (DST) to satisfy IS: 4020 door testing performance criteria.. (i) 66mm x 90mm PWD Building Works schedule, P-115, It- 3 (i) $5 (2 \times 2.10 + 0.75) = 24.75$						24.75	497.00	Mtr	12300.75

Item Description & Item No.	Nos	L	B	H	Total	Total Quantity	Rate	Unit	Amount
<p>Supplying, fitting & fixing fibre reinforced polymer (FRP) Composite door shutters as per approved design with glass fibre reinforced plastic moulded skins and a special sandwich core, so as to impart monolithic composite structure as per approved technology of Department of Science and Technology (DST) to satisfy IS:4020 door testing performance criteria. In ground floor.</p> <p>ii) 25 mm thick P-125, It- 14(ii) $5 \times 2.10 \times 0.75 = 7.875 \text{ m}^2$</p>						7.88	2581.00	Sqm	20325.38
<p>23 Anodised aluminium barrel / tower / socket bolt (full covered) of approved manufactured from extruded section conforming to I.S. 204/74 fitted and fixed with cadmium plated screws . (vii) 225mm long x 10mm dia. bolt. PWD Building Works schedule, P-144, It No. 26 (vii)</p>						5.00	84.00	Each	420.00
<p>24 Iron butt hinges of approved quality fitted and fixed with steel screws, with ISI mark. (viii) 100mm X 75mm X 3.50mm. PWD Building Works schedule, P-140, It No. 5 (viii)</p>						15.00	66.00	Each	990.00
<p>25 Anodised aluminium decorative handle (hexagonal / fluted) of approved quality fitted and fixed complete. (i) 150mm plate x 10mm dia rod x 12mm hexagonal/fluted. PWD Building Works schedule, Page - 146 . Item no-31,(i)</p>						10.00	87.00	Each	870.00
<p>26 Iron hasp bolt of approved quality fitted and fixed complete (oxidised) with 16mm dia rod with concrete bolt and round fitting. .b)250mm long. PWD Building Works schedule, Page -141 . Item no-10 b)</p>						5.00	159.00	Each	795.00
<p>27 Supplying and laying chequered tiles of any shade and of approved quality with (1:1.5:3) cement concrete laied in pannels or patterns as directed in pavement ,footpath etc including necessary underlay 25 mm thick (avg)cement mortar (1:3) complete in all respect with all labour and materials. (Using cement slurry @4.4kg/sq.m at back side and @2.4 kg/sq.m for joint filling). PWD Building Works schedule, Page -74 , Item no- 46(i). 25 mm thick</p> <p>$2 \times 2.00 \times 1.00 = 4.00 \text{ m}^2$ $2 \times 1.00 \times 2.125 = 4.25 \text{ m}^2$</p>						8.25	446.89	sq.m	3686.84

Item Description & Item No.	Nos	L	B	H	Total	Total Quantity	Rate	Unit	Amount
rendering the Surface of walls and ceiling with White Cement base WATER PROOF wall putty of approved make & brand.(1.5 mm thick) In Ground Floor PWD Building Works schedule, PWD, P-198, 1- 5 $197.44 + 25.81 = 223.25$						223.25	122.00	Sqm	27236.50
29 Applying interior grade Acrylic Primer of approved quality and brand on plastered and concrete surface old or new surface to receive Distemper Acrylic emulsion paint including scraping and preparing the surface thoroughly , complete as per manufacturer's specification and as per direction of the E-I-C (Ground Floor) (b) Two Coats PWD Building Works schedule, Page -74 , Item no- 46(i). $63.75 + 25.81 - 44.63 = 44.93$						44.93	44.20	m2	1985.91
30 Dry Desteptempering interial walls or ceilling including cleaning, washing, smoothening surface (b) two coats PWD Building Works schedule, Page - 196 , Item no- 9(b) .						44.93	49.00	m2	2201.57
31 Applying exterior grade Acrylic Primer of approved quality and brand on plastered or concrete surface old or new surface to receive Decorative Textured (Martt Finish) or Smooth Finish Acrylic exterior emulsion paint including scraping and preparing the surface thoroughly , complete as per manufacturer's specification and as per direction of the EIC in Ground Floor (b) two coats. PWD Building Works schedule, Page - 196 , Item no- 8(b) $79.69+18.00 +36.00 = 136.69$ m2						136.69	45.10	m2	6164.72
32 Protective and Decorative Acrylic Exterior emulsion paint of approved quality, as per manufacturer's specification and as per dirction of EIC to be applied overf Acrylic primer as required. The rate includes cost of materials, labour, scaffolding and all incedental charges but excluding the cost of primer in ground floor (two coats)(a) normal acrylic emulsion. PWD Building Works schedule, Page -197 , Item no- 17(a) $79.69+18.00 +36.00 = 136.69$ m2						136.69	67.00	m2	9158.23

Description & Item No.	Nos	L	B	H	Total	Total Quantity	Rate	Unit	Amount
Priming one coat on timber or plastered surface with synthetic oil bound primer of approved quality including smoothening surfaces by sand papering etc. PWD Building Works schedule, Page - 200 . Item no- 1 (b)						6.35	38.00	Sqm	241.30
34 (A) Painting with best quality synthetic enamel paint of approved make and brand including smoothening surface by sand papering etc. including using of approved putty etc. on the surface, if necessary : Page - 200 . Item no- 1 (b) (a) On timber or plastered surface : With super gloss (hi-gloss) - (iv) Two coats (with any shade except white) PWD Building Works schedule, Page - 200 . Item no- 2(A)(a)(iv)						6.35	81.00	Sqm	514.35
35 (a) M.S.or W.I. Ornamental grill of approved design joints continuously welded with M.S, W.I. Flats and bars of windows, railing etc. fitted and fixed with necessary screws and lugs in ground floor. (i) Grill weighing above 10 Kg./sq.mtr and up to 16 Kg./sq. mtr. PWD Building Works schedule, P-104 Item-13 A (i) (3rd Corrigendam Page No 91) $2 \times 2.00 \times 0.750 = 3.00 \text{ m}^2$ $6 \times 0.600 \times 0.600 = 2.16 \text{ m}^2$ $= 5.16 \text{ m}^2 \times 10.00 \text{ kg} = 51.60 \text{ kg} = 0.516 \text{ qtl}$						0.516	10021.00 3888.00	Qntl	5102.21 5170.84
36 a) Priming one coat on steel or other metal surface with synthetic oil bound primer of approved quality including smoothening surfaces by sand papering etc. PWD Building Works schedule, P/200 Item-1(a)						5.16	29.00	Sqm	149.64
37 (A) Painting with best quality synthetic enamel paint of approved make and brand including smoothening surface by sand papering etc. including using of approved putty etc. on the surface, if necessary : (b) On steel or other metal surface : (iv) Two coats (with any shade except white) PWD Building Works schedule, P-200 Item-2(b)(iv)						5.16	79.00	Sqm	407.64

Item Description & Item No.	Nos	L	B	H	Total	Total Quantity	Rate	Unit	Amount
<p>Supplying and laying true to line and level vitrified tiles of approved brand (size not less than 600 mm X 600 mm X 10 mm thick) in floor, skirting etc. set in 20 mm sand cement mortar (1:4) and 2 mm thick cement slurry back side of tiles using cement @ 2.91Kg/sqm or using polymerised adhesive (6 mm thick layer applied directly over finished artificial stone floor/Mosaic etc without any backing course) laid after application slurry using 1.75 kg of cement per sqm below mortar only, joints grouted with admixture of white cement and colouring Pigment to match with colour of tiles / epoxy grout materials of approved make as directed and removal of wax coating of top surface of tiles with warm water and polishing the tiles using soft and dry cloth upto mirror finish complete including the cost of materials, labour and all other incidental charges complete true to the manufacturer's specification and direction of Engineer-in-Charge. (White cement, synthetic adhesive and grout material to be supplied by the contractor)</p> <p>(I) With application slurry @1.75 kg/ Sq.m, 20 mm sand cement mortar (1:4) & 2 mm thick cement slurry at back side of tiles, 0.2 kg/ Sq.m white cement for joint filling with pigment.</p> <p>(A) Deep Colour & White PWD Building Works schedule, Page-66 Item-36 (A) (3rd Floor 7.375 x 3.25 = 23.97 m2</p>						23.97	1671.43 1688.00	Sqm	40069.18 40461.36
<p>39 Supplying, fitting & fixing 1st quality Ceramic tiles in walls and floors to match with the existing work & 4 nos. of key stones (10mm) fixed with araldite at the back of each tile & finishing the joints with white cement mixed with colouring oxide if required to match the colour of tiles including roughening of concrete surface, if necessary or by synthetic adhesive & grout materials etc.</p> <p>B) Wall</p> <p>Area of each tile above 0.09 Sq.m ii) Other than Coloured decorative including white PWD Building Works schedule, page-64, Item:35.(B.) (b).(ii) (3rd Corrigendam ,Page 36) 2(7.375 + 3.250) x 2.10 = 44.63 m2 3x2 x 1.00 x 2.10 = 12.60 m2 5 x 2 x 1.20 x 2.10 = 25.20 m2</p>						82.43	1022.43 1036.00	Sqm	84276.00 85397.48

Item Description & Item No.	Nos	L	B	H	Total	Total Quantity	Rate	Unit	Amount
Supplying, fitting and fixing Anglo-Indian W.C. in white glazed vitreous china ware of approved make complete in position with necessary bolts, nuts etc. a) With 'P' trap (with vent) PWD S&P Schedule, page-79, item no -3 (a)						5.00	3104.00	Each	15520.00
49 Supplying, fitting and fixing Closet seat of approved make with lid and C.P. hinges, rubber buffer and brass screws complete (b) Anglo Indian (i) Plastic (hallow type) White PWD S&P Schedule, page-81,item no 10.b.i						5.00	380.00	Each	1900.00
50 Supplying, fitting and fixing Flat back urinal (half stall urinal) in white vitreous chinaware of approved make in position with brass screws on 75 mm X 75 mm X 75 mm wooden blocks complete (ii) 470 mm X 280 mm X 340 mm PWD S&P Schedule, page.80,item no-6/(ii)						2.00	945.00	Each	1890.00
51 Supplying fitting and fixing squatting plate with integrated flushing in white vitreous set in cement concrete (6:3:1) with jhama chips complete. (Payment of concrete will be paid seperately) (I) 450 mm x 350 mm						3.00	881.00	each	2643.00
52 Supplying, fitting and fixing 10 litre P.V.C. low-down cistern conforming to I.S. specification with P.V.C. fittings complete,C.I. brackets including two coats of painting to bracket etc. PWD S&P Schedule, Page No.-36 Item No.-2,						5.00	1015.00	Nos	5075.00
53 Supplying,fitting and fixing 32 mm dia. Flush Pipe of approved make with necessary fixing materials and clamps complete. i) Polythene Flush Pipe PWD S&P Schedule, Page no 81. Item no. 11(i)						4.00	155.00	Each	620.00
54 Supplying, fitting and fixing urinal flush pipe fittings of approved brand. (a) C.P. urinal flush pipe fittings range of one PWD S&P Schedule, S.P.81,item-12/a						1.00	414.00	Each	414.00

Description & Item No.

	Nos	L	B	H	Total	Total Quantity	Rate	Unit	Amount
Supplying, fitting and fixing white ceramic china best quality approved make wash basin with C.I. brackets on 75 mm X 75 mm wooden blocks, C.P. waste fittings of 32 mm dia., mending good all damages and painting the brackets with two coats of approved paint. (ii) 550 mm X 400 mm size PWD S&P Schedule, P-41, It 2 (ii)						2.00	2208.00	Each	4416.00
56 Supplying fitting and fixing pedestal of approved make for wash basin (White) PWD S&P Schedule, P-41, It 3						2.00	1497.00	Each	2994.00
57 Supplying, fitting and fixing approved brand P.V.C. CONNECTOR white flexible, with both ends coupling with heavy brass C.P. nut, 15 mm dia., (iii) 600 mm long PWD S&P Schedule, Page No.-43 Item No.-9-iii						5.00	107.00	Each	535.00
58 Supplying, fitting and fixing approved brand 32 mm dia. P.V.C. waste pipe, with PVC coupling at one end fitted with necessary clamps. (iv) 1050 mm long each PWD S&P Schedule, Page No.-43 Item No. 10-iv						2.00	91.00	Each	182.00
59 (f) Hand Shower (Health Faucet) with 1mtr Flexible Tube with Wall Hook (Equivalent to Code No. 573 & Model - ALLIED of Jaquar or similar). PWD S&P Schedule, Page No.-3 Item No.-3 f,						5.00	1251.00	Each	6255.00
60 (a) (i) Chromium plated Bib Cock short body (Equivalent to Code No. 511 & Model - Tropical / Sumthing Special of ESSCO or similar brand). PWD S&P Schedule, Page No.-6 Item No.-7-a-i						7.00	539.00	Each	3773.00
61 (b) (i) Chromium plated Stop Cock (Equivalent to Code No. 513(A) & 513(B) & Model - Tropical / Sumthing Special of ESSCO or similar PWD S&P Schedule, Page No.-6 Item No.-7-b-i						5.00	493.00	Each	2465.00
62 Chromium plated angular Stop Cock with wall flange (Equivalent to Code No. 5053 & Model - Florentine of Jaquar or similar brand). PWD S&P Schedule, Page No.-6 Item No.-7-d-i,						5.00	815.00	Each	4075.00

	Description & Item No.	Nos	L	B	H	Total	Total Quantity	Rate	Unit	Amount
	Supplying, fitting and fixing pillar cock of approved make. a) (i) CP Pillar Cock - 15 mm. (Equivalent to Code No. 507 & Model - Tropical / Sumthing Special of ESSCO or similar brand). (P. No. - 45, Item. No. - 19(a), Pwd Sanitary Plumbing Schedule 2017)						2.00	555.00	Each	1110.00
64	Supplying, fitting and fixing PVC pipes of approved make of Schedule 80 (medium duty) conforming to ASTM D - 1785 and threaded to match with GI Pipes as per IS : 1239 (Part - I). with all necessary accessories, specials viz. socket, bend, tee, union, cross, elbo, nipple, longscrew, reducing socket, reducing tee, short piece etc. fitted with holder bats clamps, including cutting pipes, making threads, fitting, fixing etc. complete in all respect including cost of all necessary fittings as required, jointing materials and two coats of painting with approved paint in any position above ground. (Payment will be made on the centre line measurements of total pipe line including all specials. No separate payment will be made for accessories, specials. Payment for painting will be made separately) (a) For Exposed Work PVC Pipes, 25 mm Page No.-12 Item No.-19-i(a), PWD, VOL-II, 2017-18						25.00	177.00	Mtr	4425.00
65	(a) (a) For Exposed Work PVC Pipes, 15 mm Page No.-12 Item No.-19-i(a), PWD, VOL-II, 2017-18						10.00	101.00	Mtr	1010.00
66	(b) For Concealed Work PVC Pipes, 15 mm Page No.-12 Item No.-19-i(b), PWD, VOL-II, 2017-18						10.00	137.00	Mtr	1370.00
67	Supplying and fitting fixing of gunmetal wheel valve of approved brand and make tested to 21 Kg per sq. cm. 25 mm dia (E5) PWD S&P Schedule, P-5 It-5, vii),						2.00	778.00	Each	1556.00
68	Supplying P.V.C. water storage tank of approved quality with closed top with lid (Black) - Multilayer (b) 1000 litre capacity PWD S&P Schedule, page.37, Item no-6 (b)						2.00	5128.00	Each	10256.00

Item Description & Item No.	Nos	L	B	H	Total	Total Quantity	Rate	Unit	Amount
Labour for hoisting plastic water storage tank. (i) Upto 1500 litre capacity. (a) Upto 1st story from G.L. PWD S&P Schedule, page.37,Item no-10 (i)(a)						2.00	96.00	Each	192.00
70 Labour for punching hole in plastic water storage tank upto 50 mm dia. PWD S&P Schedule, (P. No. - 38, Item. No. - 13						4.00	19.00	Each	76.00
71 Supply of UPVC pipes (B Type) & fittings conforming to IS-13592- 1992.(A) (i) Single Socketed 3 Meter Length, (b) 110 mm PWD S&P Schedule, Page No.-68 Item No. 23,(A)(i)(b)						30.00	292.00	Mtr	8760.00
72 (B) Fittings (i) Coupler, (b) 110 mm						8.00	85.00	Each	680.00
73 (ii) Plain Tee, (b) 110 mm						12.00	85.00	Each	1020.00
74 (iii) Door Tee, (b) 110 mm						10.00	195.00	Each	1950.00
75 ix) Bend 45°, (b) 110 mm						10.00	89.00	Each	890.00
76 xi) Door Bend (T.S.), (b) 110 mm						7.00	147.00	Each	1029.00
77 xvi) Pipe Clip, (b) 110 mm						30.00	21.00	Each	630.00
78 xvii) W.C. Connector (150 mm long) 125 X 110(W/WC Ring) 75 mm						4.00	142.00	Each	568.00
79 xxxi) Plain Floor Trap with Top tile & Strainer 75 mm						7.00	144.00	Each	1008.00
80 L) Rubber Ring, (b) 110 mm						15.00	17.00	Each	255.00
81 C)Rubber Lubricant 500 ML						1.00	187.00	500 ML	187.00
82 D)Solvent Cement 250 ML						1.00	103.00	250 ML	103.00
83 Labour for fitting and fixing U.P.V.C. pipes for above ground work including cost of jointing materials etc. fitting and fixing all necessary specials, cutting pipes, cutting holes in total pipeline including specials. (B) Under ground, (ii) 110 mm dia. PWD S&P Schedule, (P. - 74, Item. No. - 24 (B)						25.00	84.00	Mtr	2100.00
84 Supplying, fitting & fixing UPVC pipes A-Type and fittings conforming to IS:13592-1992 with all necessary clamps nails, including making holes in walls, floor etc. cutting trenches in any soil through masonry concrete structures etc if necessary and mending good damages including joining with jointing materials (Spun Yarn, Valamoid/Bitumen/M-Seal etc) complete. A) UPVC Pipes: (i) 75 mm. Dia. (P. - 212, Item. No. - 21 (A)(i) , (B),(c),(i) & (B), (d),(i), Pwd volume- I, 2017)						30.00	188.00	Mtr	5640.00

Description & Item No.	Nos	L	B	H	Total	Total Quantity	Rate	Unit	Ammaunt
PVC Fittings: c) Bend 87.5 degree (i) 75 mm. Dia.						6.00	95.00	Mtr	570.00
b) UPVC Fittings: d) Shoe (i) 75 mm. Dia.						2.00	78.00	Mtr	156.00
87 Constructing Inspection pit of inside measurement 600mm X 600mm X upto 600mm (depth) with 250 mm thick 1st. class brick work in cement mortar (1:4) on all sides, bottom of the pit consisting of 100 mm thick cement concrete (1:3:6) with stone chips over a layer of jhama brick flat soling, 15 mm thick (1:4) cement plaster to inside walls and out-side walls upto G.L. and 20 mm. thick (1:4) plaster to bottom of the pit, providing necessary invert with cement concrete (1:3:6) with stone chips as per direction, neat cement finishing to entire internal surfaces, top of the pit covered with 100 mm thick R.C.C. slab (1:1.5:3) with stone chips and necessary reinforcements upto 1% and shuttering including 6 mm thick cement plaster (1:4) in all external surfaces of the slab and one 560 mm dia. R.C.C. manhole cover of approved make supplied, fitted and fixed in the slab with necessary fittings, necessary earthwork in excavation in all sorts of soil, filling sides of the pit with earth and removing spoils after work complete in all respect with all costs of labour and materials. i) With Pakur variety (Other than SAIL/TATA/RINL). PWD S&P Schedule, S.P.87, Item No-1/(i), 7th Corrigenda Volume ii						5.00	6168.00 6153.00	Each	30840.00 30765.00

Description & Item No.	Nos	L	B	H	Total	Total Quantity	Rate	Unit	Amount
<p>Construction of septic tank of different capacities as per approved drawing with 1st class brick work in cement mortar (1:4) including two 560 mm dia. R.C.C. manhole cover (heavy type) of approved make supplied, fitted and fixed in the 100mm thick R.C.C (1:1.5:3) top slab with necessary fittings, 20mm thick cement plaster (4 : 1) with neat cement finish to the internal surfaces and 15 mm thick cement plaster (4 : 1) to outside wall upto 200 mm below G.L floor finished with 25 mm thick grey artificial stone over 100 mm thick R.C.C(1:1.5:3) bottom slab including supplying, fitting and fixing all necessary specials, fittings, S.W. tees, C.I. foot rest etc. including excavation earth in all sorts of soil, shoring, bailing out and pumping out water as necessary, ramming, dressing the bed and refilling the sides of the tanks with earth, removing spoils, filling up the chamber with clear water, removing foreign materials from the chamber and including constructing attached inspection pit as per approved drawing and connecting all necessary pipes, joints etc. with internal plaster work and artificial stone flooring is to be done with admixture of water proofing compound</p>						1.00	42244.00	Each	42244.00
<p>89 Construction of circular soak well 2.5 metre deep in all types of sandy soils with dry brick work upto 1.6 metre from the bottom having 150 mm intermediate cement brick work (1:4) band all round and cement brick work (1:4) upto 0.90 metre from top with 20mm thick cement plastering (1:4) to inside face upto the depth of cement brick work, 15mm thick cement plaster (1:4) on outer face from top of the well upto G.L. and 6 mm thick cement plaster (1:4) on top of the R.C.C. cover slab including filling bottom 1.00 metre of inside of the well with brick metal (50 mm to 63 mm size) including R.C.C. cover slab of 100 mm thick with cement conc (1:1.5:3) with stone chips with necessary reinforcement and shuttering including one 560 mm dia. R.C.C. manhole cover (heavy type) of approved make supplied, fitted and fixed in the cover slab with necessary fittings, making necessary arrangements for pipe connections, excavation of well including shoring, dewatering and removing the excess earth from the premises as per direction complete in all respect with all costs of labour and materials. With 250 mm thick dry brick work and 250 mm thick cement brick work (1:6) and 1.00m</p>						1.00	13879.00	Each	13879.00

Item Description & Item No.	Nos	L	B	H	Total	Total Quantity	Rate	Unit	Amount
Supplying, fitting and fixing towel rail with two brackets. (a) C.P. over brass (ii) 25 mm dia. and 600 mm long PWD S&P Schedule, P No 82 I No- 22 (a)(ii)						2.00	430.00	Each	860.00
91 Supplying, fitting and fixing bevelled edged mirror 5.5 mm thick silver red as per I.S. 3438 / 1965 together with brass C.P. hinges. (ii) 600 mm X 450 mm PWD S&P Schedule, P-81, It-15(ii)						2.00	484.00	Each	968.00
92 Supplying, fitting and fixing soap holder. (b) Fibre glass Sanitary and plumbing work schedule P-82, It-18(b)						7.00	58.00	Each	406.00
93 Supplying, fitting and fixing glass shelf with aluminium guard rails. (a) Ordinary type with 5.5 mm sheet glass (i) 450 mm X 125 mm Sanitary and plumbing work schedule P-81, It-16(a)(i)						2.00	341.00	Each	682.00
									725483.10
Add S.G.S.T. @									72554.00
Add C.G.S.T. @							9%		71330.00
Cost Of Civil Work							9%		71330.00
Add L.W.C. @									935214.00
Total Amount Including Labour.Wekfare.Cess.							1%		9352.00
Add Contengency @3%									944566.00
Total Amount Including Labour.Welfare.essC. and contengency									28337.00
									972903.00
								Say Rs.	972903.00

724406.98
724406.98
65197.00
65197.00
854800.98
8548.00
863398.98
25,400.00
889248.98
8,89,249/-

Rupees Nine Lakhs Seventy-two thousand Nine hundred Three only

Rupees Eight lakhs eighty nine thousand two hundred forty nine only

Charitra
Sub-Assistant Engineer
Bolpur Municipality
Bolpur, Birbhum

[Signature]
Assistant Engineer / E+C
(In - Charge)
Bolpur Municipality
Bolpur, Birbhum

[Signature]
Chairman
Bolpur Municipality

[Signature]
29/08/2025
Jr. Engineer
Bolpur Sub Division
M.E. Directorate
Govt. of West Bengal

[Signature]
1/9/25
Assistant Engineer
Bolpur Sub-Division
Municipal Engineering Directorate
Govt. of West Bengal

VETTED
[Signature]
08.09.25
Executive Engineer
Bolpur Sub-Division
M.E. Directorate
Govt. of W.B.

OFFICE OF THE BOLPUR MUNICIPALITY

BOLPUR : BIRBHUM

Model-A

NAME OF WORK :- Non Schedule Item for Construction of community Toilet at Bali Para Anganwari Center , Ward-03 under Bolpur Municipality

SOR USED :- P.W.D Schedule of Rates, Vol-I for Building Works with w.e.f 01.12.2015 incorporate the "GOODS AND SERVICE TAX ACT 2017" & 14 th Addenda & Corrigenda Dated-08.03.2021 AND Vol-II for Sanitary and Plumbing Works with w.e.f 01.12.2015 incorporate the "GOODS AND SERVICE TAX ACT 2017" and Latest Corrigenda and Addenda.

Physical Achievement:- TOILET SEAT- 5 NOS AND URINAL- 5 NOS

SL.NO	Item Description & Item No.	Quantity	Rate	Unit	Ammount
1	Non Shedule Item Sl. No. 91-106 (Order as per SUDA) standard plastic dustbin (12lits)	5	350 ✓	Each	1750.00
2	Sinage APC based & Reflective vinyl	5	3776 ✓	each	18880.00
3	Supplying and fixing sinage with fixing stand post for public toilet for visible to passersby	5	1000 ✓	Each	5000.00
4	Glow Sign board Name and contact details of the following are displayed prominently - Toilet Identification number , name of ULB under which jurisdiction toilet is coverwd , ward number and maintainance authority prominently displayed for each toilet block supervisor, supervisor's agency and area sanitary inspector.	1	5000 ✓	each	5000.00
5	Installation of Sinage	1	2071 ✓	each	2071.00
6	Air freshner(pack of 4nos)	8	216 ✓	Each	1728.00
7	Air freshner (Naphthaline 250 gm)	5	210 ✓	Each	1050.00
8	Supplying paper Napkin	5	50 ✓	Each	250.00
9	Supplying Sanitary Napkin (Whisper or similar make 50 pcs)	4	520 ✓	Each	2080.00
10	Harpic (blue 500 ml)	4	300 ✓	Each	1200.00
11	Harpic (Red 500 ml)	4	150 ✓	Each	600.00
12	Gala double lip floor wiper	4	350 ✓	Each	1400.00
13	Colin glass or surface cleaner	2	200 ✓	Lit	400.00
14	Muriatic Acid	2	145 ✓	Lit	290.00
15	Bleaching powder	4	120 ✓	Kg	480.00
16	Dettol ,lifeboy or similar make liquid soap	8	140 ✓	Lit	1120.00
17	Rubber hand gloves	6	80 ✓	Pair	480.00

SL.NO	Item Description & Item No.	Quantity	Rate	Unit	Amount
18	Double side plastic brush	6	125	Each	750.00
19	Plastic Broom	4	170	Each	680.00
20	SMS/any other ICT based feedback system (With number displayed on which SMS has to be sent)	1	5000	each	5000.00
21	Mini Tulu Pump	1	4000	each	4000.00
22	supplying roaster /register for keeping account of regular cleanig	3	200	Each	600.00
23	Lettering on Toilet Wall for display of name and contact details of ULB ward number and name of maintainance authority , saniinspector, etc.	1	1000	each	1000.00
				Rs.	55809.00
Add for Labour welfare Cess @ 1 %				Rs.	558.00
Total				Rs.	56367.00
Add for Contingency @ 3 %				Rs.	1674.00
Jany TOTAL				Rs.	58041.00

57483.00

Rates on checked band on Memo no: SUDA/924/2021/7756 Dt- 5/3/22

Chaital

Sub-Assistant Engineer
Bolpur Municipality
Bolp. Birbhum

[Signature]
Assistant Engineer / E+C
(In - Charge)
Bolpur Municipality
Bolpur : Birbhum

[Signature]
Chairman
Bolpur Municipality

[Signature]
29/08/2025

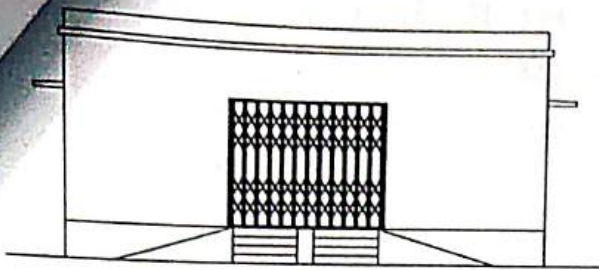
Jr. Engineer
Bolpur Sub Division
M.E. Directorate
Govt. of West Bengal

[Signature]
1/9/25
Assistant Engineer
Bolpur Sub-Division
Municipal Engineering Directorate
Govt. of West Bengal

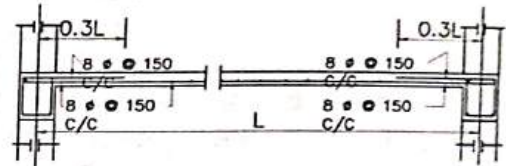
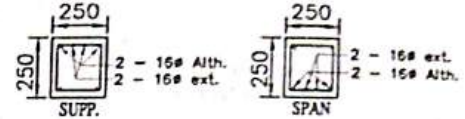
[Signature]
08.09.25
Executive Engineer
Birbhum Division
M.E. Dte.
Govt. of W.B.

Model-A

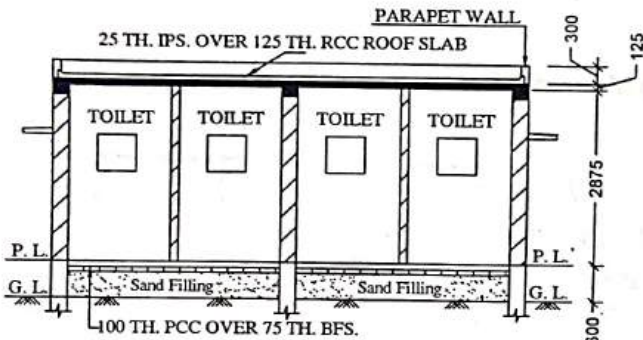
NAME OF WORK :- Construction of community Toilet at Construction of community Toilet at Bali Para Anganwari Center, Ward-03 under Bolpur Municipality, Ward-03 under Bolpur Municipality



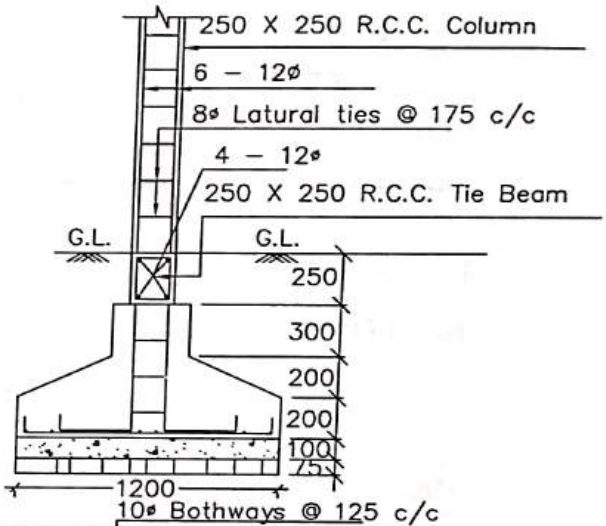
FRONT ELEVATION



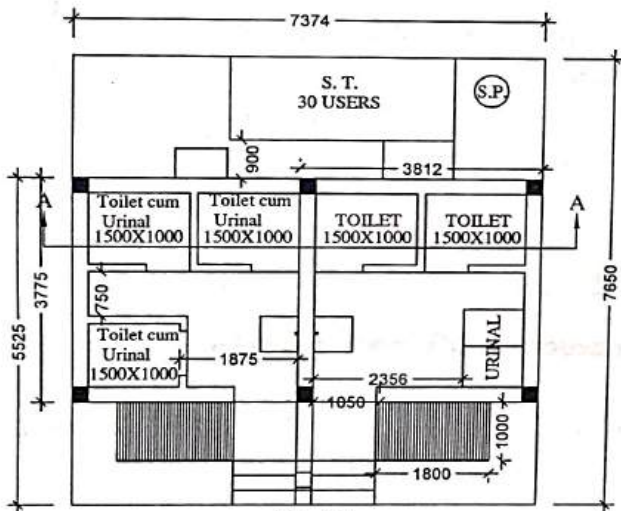
Details Of R.C.C Roof Slab & Beam (SCALE - 1 : 25)



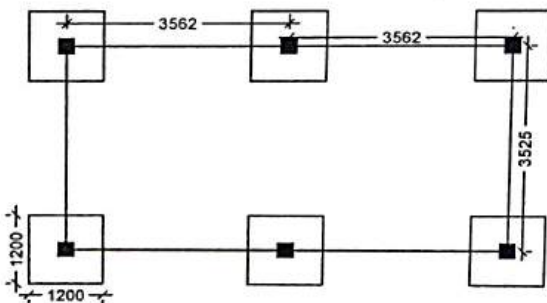
SECTION - 'A - A'



DETAILS OF R. C. C COLUMN (SCALE - 1 : 25)



PLAN



LAYOUT PLAN

Drawn by.....

Sub-Assistant Engineer
BOLPUR MUNICIPALITY
Bolpur

Assistant Engineer / E+C
(In Charge)
BOLPUR MUNICIPALITY
Bolpur : Birbhuni

OFFICE OF BOLPUR MUNICIPALITY

BOLPUR : BIRBHUM

Name of Work :- External & Internal Electrification of community Toilet at Bali Para Anganwari Center, Ward-03 under Bolpur Municipality (MODEL → A)

Estimate No.- Bm/EST/91/2025-2026 **Date-** 08.07.2025

SL NO	Item Description	Unit	Quantity	Rate	Amount	Remarks
1	Distribution wiring in 2 x 22/0.3 (1.5 sqmm) single core stranded 'FR' PVC insulated & unsheathed copper wire (Brand approved by EIC) in 20mm size PVC rigid conduit 'FR' (Precision make), with 1x22/0.3 (1.5 sqmm) single core stranded 'FR' PVC insulated & unsheathed copper wire for ECC. to light/fan/call bell points with Piano Key type switch fixed on MS CRC sheet metal (16 SWG) switch board cum JB on wall complete with 2 no. suitable size "Ph & N" copper bar incl. bakelite/Perspex (wall matching color) top cover 3 mm thick and incl. 175mmx100mmx65mm inspection box, making earthing attachment, painting the MS box and mending good the damages to original finish. [PWD Schedule Page No-E-14 Item No-2a]	Point	19	642.60	12209.40	District Charges will be applicable only for PWD Scheduled items Dist Charge +5%
	Average run 5 mtr					
2	Distribution wiring in 1.1 KV grade 22/0.3 (1.5 sqmm) single core stranded 'FR' PVC insulated & unsheathed copper wire (Brand approved by EIC) in 20mm size PVC rigid conduit 'FR' (Precision make), with 1.1 KV grade 1 x 22/0.3 (1.5 sqmm) single core stranded 'FR' PVC insulated & unsheathed copper wire as ECC. to 5A 3 pin flush type plug socket & Piano Key type switch fixed on MS CRC sheet metal (16 SWG) switch board cum JB on wall incl. bakelite/Perspex (wall matching color) top cover 3 mm thick and incl. painting the MS box and mending good the damages to original finish On Board (only for pay counter) [PWD Schedule Page No-E-15; I-4a]	Point	2	70.35	140.70	Dist Charge +5%
3	Supplying and fixing 240V 32A Double Pole AC Type 30mA RCCB.(Complete Set) (ISI marked) [Make- Legrand] (Cat No 4113/95) Legrand Page No-92 	Nos	1	5942.00	5942.00	*No dist charges
4	Distribution wiring in 1.1 KV single core stranded 'FR' PVC insulated & unsheathed copper wire (Brand approved by EIC) in 20mm size PVC rigid conduit 'FR' (Precision make) incl. neey. fittings as required 2 x 36/0.3 (2.5 sqmm) + 1 x 22/0.3 (1.5 sqmm) ECC [PWD Schedule Page No-E-14 Item No-1a(ii)]	mtr	20	124.95	2499.00	Dist Charge +5%
5	Supplying and fixing double-door SPN MCB Distribution Board with IP-42/43 protection, concealed in wall after cutting the wall & mending good the damages to original finish incl. Inter connection with suitable size of copper wire and neutral link & provision for earthing attachment. a) For (2+4 way) (Make -Havells) [PWD Schedule Page No-D-9;Item No-13]	No	1	981.75	981.75	Dist Charge +5%
6	Supplying and fixing 240/415 V MCB of Breaking capacity 10kA & C characteristics on din rail of existing DBs and necessary connection 6-32A SP MCB (Make -Havells) [PWD Schedule Page No-D-6;Item No-7]	Nos	4	176.40	705.60	Dist Charge +5%
7	Supplying and fixing 240/415 V MCB Isolator on din rail of existing DBs and necessary connection. 40A DP MCB Isolator (Make -Havells) [PWD Schedule Page No-D-5;Item No-6]	Nos	1	218.40	218.40	Dist Charge +5%
8	Supply of TMC501 conventional industrial batten (Philips make) LED Tube, model no- TMC501 P1XT-LED 22W P3241 (WB I & WD schedule P-113, I- 5:3 F.22)	Nos	5	464.53	2322.65	Dist Charge +3%
9	Fixing only single/twin fluroscnt light fitting complete with all accessories directly on wall/ceiling by screws etc., [PWD Schedule Page No-C-2;Item No-14a]	Nos	5	90.30	451.50	Dist Charge +5%

10	Supply & fixing Bulk head light fittings with die cast aluminium housing frosted/clear glass on wall/ceiling incl S/F 9 watt LED Lamp complete set. [Make - Havells] (PWD sch - Page--D-13, I-23)	Nos	7	682.95	4780.65	Dist Charge +5%
11	Supply & fixing smart bright street light complete with all accessories to be fixed from the wall of building or on pole incl. making holes /providing clamping arrangement & necy. GI reducer as required.S&F 40 mm GI Pipe 1.5 mtr average length & s&f necy length of 1.5 sqmm pvc insulated single core copper wire & making connections as required & mending good damages incl wall paingting. (30 Watt) (Make - Bajaj) [WB I&WD sch P-111, I-f.9.0.2]	Nos	1	3106.48	3106.48	Dist Charge +3%
12	Supply of 9" domestic metal exhaust fan 9" (225mm)SWEEP. TRANS AIR - (Make-Crompton/Havells/Bajaj) (UD & MA schedule P-14, I-5))	Nos	4	1863.00	7452.00	*No dist charges
13	Fixing only exhaust fan after making hole in wall and making good damages and smooth cement finish etc. as practicable as possible and providing necy. length of PVC insulated wire and making connection for exhaust of following diameter: 22.5 cm (9") [PWD Schedule Page No-C-4;Iteam No-28(b)]	Nos	4	259.35	1037.40	Dist Charge +5%
14	Fixing only louver shutter/cowl on wall with necy. bolts & nuts (6 mm dia x 62 mm long) For 22.5 cm(9") Exhaust fan [PWD Schedule Page No-C-4;Iteam No-30(b)]	Nos	4	86.10	344.40	Dist Charge +5%
15	Supply of 240V A.C Ceiling Fan (48" sweep,1200 mm complete) [Make-Crompton [for counter only] (UD & MA schedule P- 23, I- 70)	Each	1	2283.00	2283.00	*No dist charges
16	Fixing only Ceiling Fan [PWD sch P- C-3, I-21(a)]	Each	1	69.30	69.30	Dist Charge +5%
17	Supply & Fixing 240 V. 16/20 A Piano key type switch (Brand approved by EIC) on sheet metal switch board incl. S & F 100x100x65mm MS (16SWG) switch board and bakelite/perspex top cover of 3mm thick by Brass screws after making housing for switch by cutting bakelite/perspex cover and making necessary connections as required. (For Hand Dryer machine) [PWD sch P- E-6, I-17(b)]	Each	2	211.05	422.10	Dist Charge +5%
18	S/F 240V 25A Modular type starter (brand approved by EIC)with 25 A. Modular switch DP MCB (C-Curve)and 4 Module G.I. Moduar type switch board with 4 Module Top Cover Plate flushed in wall incl. S/F switch board and Cover Plate and making necy. Connections with PVC Copper wire and earth connectivity wire etc. as per schedule [for Pump] [PWD Schedule Page No-E-19, Item No-17]	Nos	1	823.20	823.20	Dist Charge +5%
19	Supply and Fixing of 2 mm Polyvinyl glow sign board made of 22 SWG GI sheet box with 1"X1" aluminum channel for fixing the vinyl board after necessary cutting the letter as required & s/f LED tube light fittings along with all accessories. (16 sqft @495.00/sqft) (UD & MA schedule P-14, I-4)	Nos	1	7920.00	7920.00	*No dist charges
20	Earthing installation by GI earth Spike (1830 X 20 mm) including 8SWG GI EarthWire & GI nuts, bolts, washer etc	Nos	1	450.00	450.00	*No dist charges
				Total	54159.53	
				Add 18% GST	9748.72	
				Total With GST (A)	63908.25	
				Cess@1%	639.08	
				total	64547.33	
	Contingency Amount on "A"			Contingency@3%	1917.25	
	(Total+GST)=Rs:			Total	66464.58	
				Say Rs.	66465.00	

Amount In Ward - Rupees Sixty Six Thousand Four Hundred Sixty Five Only.

66,465.00

S. A. E. (Elec.)
Bolpur Municipality
Bolpur, Birbhum

Assistant Engineer / E-i-r
(In - Charge)
Bolpur Municipality
Bolpur : Birbhum

Chairman
Bolpur Municipality

P.T.O

BF. Rs. 66,465.00

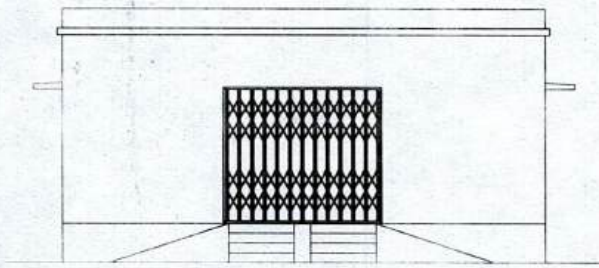
Technically Vetted Rs.: 66,465.00
(Rupees ~~Sixty Six thousand four hundred~~
Sixty five only.)

00
Junior Engineer 26.08.25
Electrical & Mechanical Division
SUDA

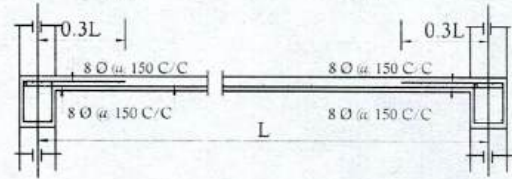
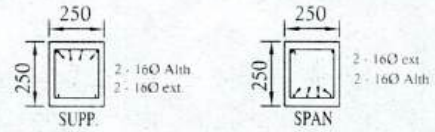
SK
26.8.25
ASSISTANT ENGINEER
ELECTRICAL & MECHANICAL DIVISION
SUDA

db
28/8/25
Executive Engineer (E/M)
O/O the Secretary M.E. Dte.
Government of West Bengal

Community Toilet at Bali Para
Anganwari Center, Ward-03
under Bolpur Municipality

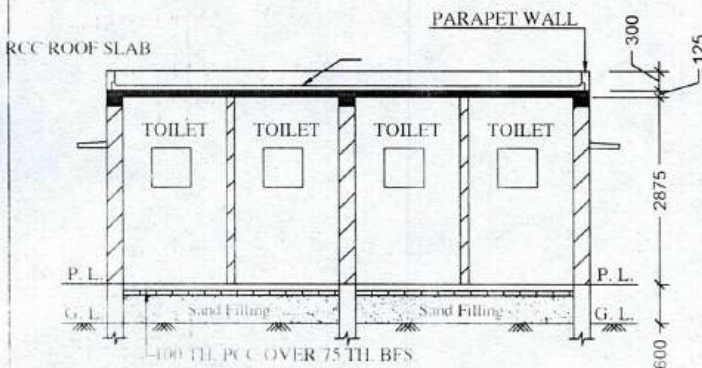


FRONT ELEVATION



Details Of R.C.C Roof Slab & Beam

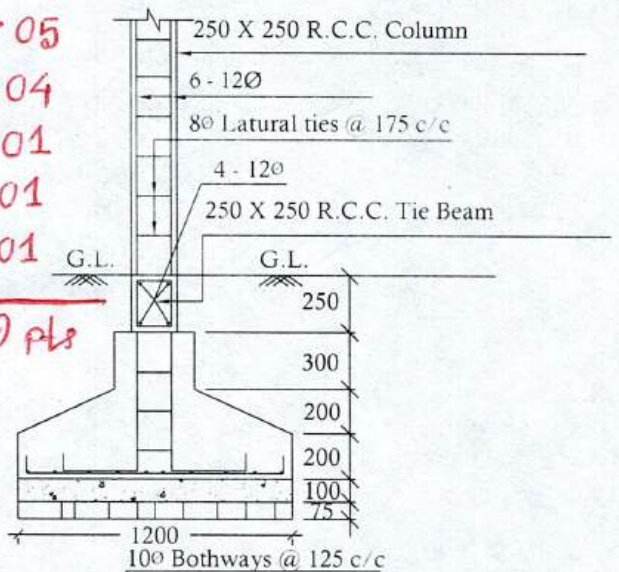
(SCALE - 1 : 25)



SECTION - 'A - A'

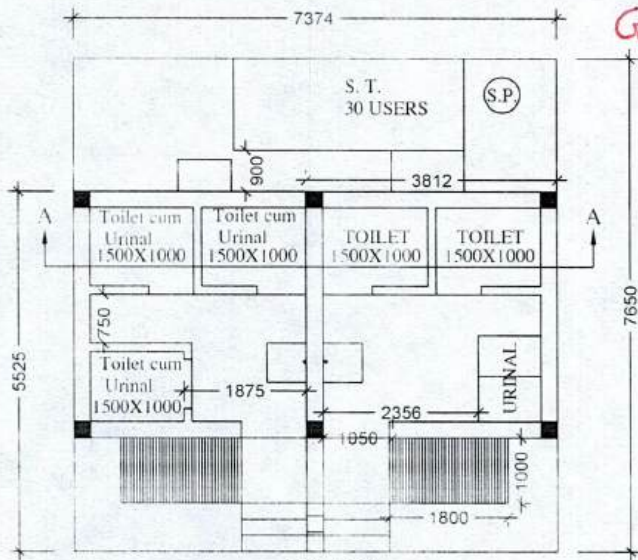
BHLP → 07
TL → 05
EF → 04
CF → 01
OL → 01
G.S.B → 01

19 pts

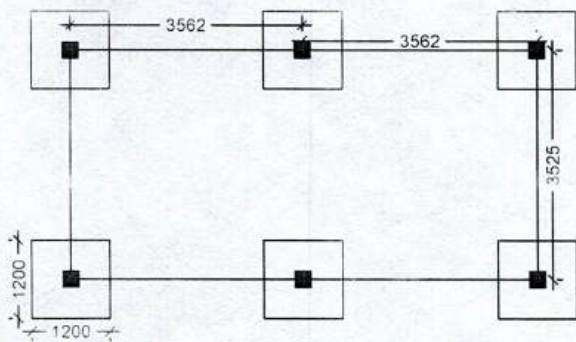


DETAILS OF R. C. C COLUMN

(SCALE - 1 : 25)



PLAN



LAYOUT PLAN

S. A. E. (Elec.)
Bolpur Municipality
Bolpur, Birbhum

Assistant Engineer / E-i-C
(In - Charge)
Bolpur Municipality
Bolpur, Birbhum

Chairman
Bolpur Municipality