

## **BANKURA MUNICIPALITY**

Name of Work:- Estimate of the probable cost for New Construction work of Community Toilet at Dan Pukur Par, Boro Kalitala, Opposite Goli of Harisava within ward 9 as per Model Toilet Block - F under the jurisdiction of Bankura Municipality.

**BANKURA MUNICIPALITY**

**NAME OF WORK:- CONSTRUCTION OF TOILET BLOCK ( CT/PT) MODEL NO - F CIVIL WORKS  
TOILET SEATS - 2 NOS AND URINAL - 3 NOS**

SL. NO	Item Description & Item No.	Quantity	Unit		Rate	Per Unit	Ammount
1	Earth work in excavation of foundation trenches or drains, in all sorts of soil (including mixed soil but excluding laterite or sandstone) including removing, spreading or stacking the spoils within a lead of 75 m. as directed. The item includes necessary trimming the sides of trenches, levelling, dressing and ramming the bottom, bailing out water as required complete. (a) Depth of excavation not exceeding 1,500 mm. PWD Building Works schedule Page - 1, Item -2.a COLM. $2 \times 2 \times 1.20 \times 1.20 \times 1.00 = 7.56 \text{ M3}$ partition wall $1 \times 1.00 \times 0.375 \times 0.150 = 0.056 \text{ m3}$	5.816	Cu.m	@	Rs. 11,927.00 ✓	/%Cu.m	Rs. 693.67
2	Earth work in filling in foundation trenches or plinth with good earth, in layers not exceeding 150 mm. including watering and ramming etc. layer by layer complete. (Payment to be made on the basis of measurement of finished quantity of work). (a) With earth obtained from excavation of foundation. PWD Building Works schedule, Page - 1, Item -3.a	5.816	Cum	@	Rs. 7,754.00 ✓	/%Cum	Rs. 450.97
3	(A) Filling in foundation or plinth by silver sand in layers not exceeding 150 mm as directed and consolidating the same by thorough saturation with water, ramming complete including the cost of supply of sand. (payment to be made on measurement of finished quantity) PWD Building Works schedule, Page - 2, Item -4.a $1 \times 4.850 \times 2.8250 \times 0.325 = 4.453 \text{ m3}$	4.453	Cum	@	Rs. 59,257.00 ✓	/%Cum	Rs. 2,638.71
4	Single Brick Flat Soling of picked jhama bricks including ramming and dressing bed to proper level and filling joints with local sand. PWD Building Works schedule, Page- 14, Item - 1 ( Corri. Page-01, Date-04-06-2018) $2 \times 2 \times 1.20 \times 1.20 = 7.56 \text{ m2}$ $2 \times 2.50 \times 0.375 = 1.88 \text{ m2}$ $1 \times 1.00 \times 0.375 = 0.375 \text{ m2}$ $1 \times 4.85 \times 2.8250 = 13.70 \text{ m2}$	23.52	Sqm	@	Rs. 294.00 ✓	/Sqm	Rs. 6,914.88
5	Ordinary Cement concrete (mix 1:1.5:3) with graded stone chips (20 mm nominal size) excluding shuttering and reinforcement, if any, in ground floor as per relevant IS codes. a) Pakur Variety /Chandil Variety PWD Building Works schedule, p-26 Item 10 a (Rate Analysis ) Column $2 \times 2 \times 1.20 \times 1.20 \times 0.150 = 0.864 \text{ m3}$ $2 \times 2 \times (1.20 \times 1.20) + (0.250 \times 0.250) / 2 \times 0.150 = 0.451 \text{ m3}$ $2 \times 2 \times 0.250 \times 0.250 \times 3.90 = 0.975 \text{ m3}$ Tie beam $3 \times 2.525 \times 0.250 \times 0.250 = 0.473 \text{ m3}$ $2 \times 4.35 \times 0.250 \times 0.250 = 0.544 \text{ m3}$ $1 \times 4.85 \times 2.8250 \times 0.125 = 1.970 \text{ m3}$	9.277	Cum	@	Rs. 5,340.78 ✓	/Cum	Rs. 49,546.42
6	Ordinary Cement concrete (mix 1:3:6) with graded stone ballast (30 mm nominal size) excluding shuttering and reinforcement, if any, in ground floor as per relevant IS codes. a) Pakur Variety (Vetted Rate) . PWD Building Works schedule, Page -34, Item - 22 ( i) A, ( Corri. Page- 18, Date-04-06-2018) Column $2 \times 2 \times 1.20 \times 1.20 \times 0.10 = 0.576 \text{ m3}$ Ramp $2 \times 2.50 \times 0.375 \times 0.100 = 0.188 \text{ m3}$ Stair $2 \times 1.50 \times 1.00 \times 0.100 = 0.300 \text{ m3}$ Floor $1 \times 4.85 \times 2.8250 \times 0.100 = 1.370 \text{ m3}$	2.434	m3	@	Rs. <del>4,770.00</del> 4641.30 4614.30	/m3	Rs. <del>11,610.18</del> 11296.92

SL. NO	Item Description & Item No.	Quantity	Unit		Rate	Per Unit	Amount
7	25mm. thick damp proof course with cement concrete with stone chips (1:1.5:3) [with graded stone aggregate 10 mm nominal size] and admixture of water proofing compound as per manufacturer's specification followed by two coat of polymer based paint, (1st coat after 4 to 5 days of concrete laying and 2nd coat just before brick masonry work) as directed (cost of water proofing compound & polymer based paint to be paid separately). (Chequering not required over concrete or painted surface). [Note: - Waterproofing as per item 9, polymer based paint as per item 8 (a) of subhead C of Section (C). PWD Building Works schedule, Page -47, Item -1 (Rate Analysis) $2 \times 4.85 \times 0.250 = 3.69 \text{ m}^2$ <del><math>2 \times 2.8250 \times 0.250 = 2.11 \text{ m}^2</math></del>	5.80	Sqm	@	Rs. 187.00 ✓	/Sqm	Rs. 1,084.60
8	125 mm brick work with 1st class bricks in cement mortar (1:4) in ground floor. PWD Building Works schedule, Page -16, Item-16, cori page -3, date -04.06.2018 (Rate Analysis) $5 \times 1.20 \times 3.00 = 18.00 \text{ m}^2$ $3 \times 1.00 \times 3.00 = 9.00 \text{ m}^2$ Deduction for Doors $2 \times 0.750 \times 2.10 = 3.15 \text{ m}^2$	23.85	Sq.M.	@	Rs. <del>625.00</del> 617.47	/Sq.M.	Rs. <del>14,906.25</del> 14726.66
9	Supplying and laying polythine sheet (150 gm/sq.m) over damp proof course or below flooring or roof terracing or foundation or foundation trenches. PWD Building Works schedule, Page -47, Item-3	37.87	Sq.M.	@	Rs. 24.00 ✓	/Sq.M.	Rs. 908.88
10	Hire and labour charges for shuttering with centering and necessary staging upto 4 m using approved stout props and thick hard wood planks of approved thickness with required bracing for concrete slabs, beams and columns, lintels curved or straight including fitting, fixing and striking out after completion of works (upto roof of ground floor) (f) 25 mm to 30 mm shuttering without staging in foundation PWD Building Works schedule, Page -42, Item- 36.f Column $2 \times 2 \times 4.85 \times 0.250 = 4.85 \text{ m}^2$ $2 \times 2 \times 2.825 \times 0.25 = 2.85 \text{ m}^2$ Tie beam $2 \times 2 \times 4 \times 1.20 \times 0.150 = 2.88 \text{ m}^2$	10.58	Sqm	@	Rs. 203.00 ✓	/Sqm	Rs. 2,147.74
11	Hire and labour charges for shuttering with centering and necessary staging upto 4 m using approved stout props and thick hard wood planks of approved thickness with required bracing for concrete slabs, beams and columns, lintels curved or straight including fitting, fixing and striking out after completion of works (upto roof of ground floor) (a) 25 mm to 30 mm thick wooden shuttering as per decision & direction of Engineer-In-Charge. PWD Building Works schedule, Page -42, Item- 36.a Roof $1 \times 4.85 \times 2.8250 = 13.70 \text{ m}^2$ $2(4.85 + 2.825) \times 0.125 = 1.209 \text{ m}^2$ Column $4(.30 + .025) \times 3.00 = 6.60 \text{ m}^2$ Roof beam $2 \times 2 \times 4.85 \times 0.1250 = 2.46 \text{ m}^2$ $2 \times 2 \times 2.825 \times 0.125 = 1.41 \text{ m}^2$	25.38	Sqm	@	Rs. 321.00 ✓	/Sqm	Rs. 8,146.98

SL. NO	Item Description & Item No.	Quantity	Unit		Rate	Per Unit	Ammount
12	Artificial stone in floor ,dado,staircaseetc with cement mortar (1:2:4)with stone chips lsied in panels as directed with topping made with ordinary or white cement (as necessary) and marbel dust in proportion (1:2) in cluding smooth finishing and rounding off corners including raking out joints or roughening of concrete surface and application of cement slurry before flooring works using cement @ 1.75 kg/ sq.m all complete including all materials and labour. In ground floor 3 mm thick topping using gray cement (ii)25 mm PWD Building Works schedule, p-48 Item 6(ii) 4.85 x 2.825 = 13.70 m2	13.70	Sq.m	@	Rs. <del>260.00</del> 252.96	/Sq.m	Rs. <del>3,562.00</del> 3465.55
13	Reinforcement for reinforced concrete work in all sorts of structures including distribution bars, stirrups, binders etc initial straightening and removal of loose rust (if necessary), cutting to requisite length, hooking and bending to correct shape, placing in proper position and binding with 16 gauge black annealed wire at every intersection, complete as per drawing and direction. (a) For works in foundation and upto roof of ground floor/upto 4 m. (i) Tor steel/Mild Steel , JSPL/SWAYN/ELETRO/STEEL PWD Building Works schedule, Page - 43, Item - 40.a.i.1( Corri. 10th Page-01, Date-23-01-2020) (Rate Analysis) Item no , vol of conc. 3.853x1.20 % = 0.046 m3 x 35.315 c.ft = 1.624 c.ft x 225 kg = 365.40 kg = 0.365 MT	0.365	M.T.	@	Rs. 54,649.59 ✓	/M.T.	Rs. 19,947.10
14	Collapsible gate with 40 mm x 10 mm x 6 mm Tee as top and bottom guide rail , 20 mm x 10 mm x 2 mm vertical channels 100 mm apartin fullt stretched position 20m x 5 mm MS flats as collapsible bracings properly reveted and washered including 38 mm steel roller including locking arrangements , fitted and fixed in position with lugs set in cement concrete including cutting necessary hikes chasing etc in walls , floors etc and making good all damages . PWD Building Works schedule, Page -106, Item- .18 2 x 1.00 x 2.10 = 4.20 m2	4.20	Sqm	@	Rs. <del>3,402.00</del> 4330.00	/Sqm	Rs. <del>14,288.40</del> 18186.00
15	Brick work with 1st class bricks in cement mortar (1:4) - 1:6 (a) Foundation and plinth ground floor PWD Building Works schedule, Page -15, Item-7.a (Rate Analysis) Toilet wall 2 x 4.85 x 0.250 x 0.600 = 1.455 m3 3 x 2.8250 x 0.250 x 0.600 = 1.271 m3 Stair 2 X 2.50 X 0.250 X 0.600 = 0.750 M3 Partition wall 2 x 1.00 X 0.500 X 0.300 = 0.300 M3	3.776	Cu.m	@	Rs. <del>4,774.00</del> 4459.70	/Cu.m	Rs. <del>18,026.62</del> 16839.83
16	Brick work with 1st class bricks in cement mortar (1:4) - 1:6 (b) superstructure ground floor PWD Building Works schedule, Page -15, Item-7.b (Rate Analysis) Toilet wall 2 x 4.85 x 0.250 x 3.00 = 7.275 m3 3 X 2.825 X 0.25 X 3.00 = 6.356 M3	13.63	Cu.m	@	Rs. <del>4,997.00</del> 4682.70	/Cu.m	Rs. <del>68,114.11</del> 63829.88
17	Labour for Chipping of concrete surface before taking up Plastering work. PWD Building Works schedule, P-192, It-1	13.70	Sqm	@	Rs. 21.00 ✓	/Sqm	Rs. 287.70

SL. NO	Item Description & Item No.	Quantity	Unit		Rate	Per Unit	Amount
18	Plaster (to wall, floor, ceiling etc.) with sand and cement mortar including rounding off or chamfering corners as directed and raking out joints including throating, nosing and drip course, scaffolding/staging where necessary (Ground floor).[Excluding cost of chipping over concrete surface] (i) With 1:6 cement mortar (c) 15 mm thick plaster PWD Building Works schedule, P-189 It- No. 1 (Rate Analysis) Out side $2(4.85 + 2.8250) \times 3.75 = 57.56$ m <sup>2</sup> Inside $2(4.85 + 2.8250) \times 3.00 = 46.05$ m <sup>2</sup> $1 \times 2 \times 2.325 \times 3.00 = 13.95$ m <sup>2</sup> $2 \times 2 \times 1.60 \times 3.00 = 19.200$ m <sup>2</sup> Deduction for Doors $2 \times 2 \times 1.00 \times 2.10 = 8.40$ m <sup>2</sup> $2 \times 2 \times 0.750 \times 2.10 = 6.30$ m <sup>2</sup>	121.86	Sqm	@	Rs. <del>135.00</del> 132.53	/Sqm	Rs. <del>16,451.10</del> 16150.11
19	Plaster (to wall, floor, ceiling etc.) with sand and cement mortar including rounding off or chamfering corners as directed and raking out joints including throating, nosing and drip course, scaffolding/staging where necessary (Ground floor).[Excluding cost of chipping over concrete surface] (ii) With 1:4 cement mortar (c) 10 mm thick plaster PWD Building Works schedule, P-189 It- No. 1 (ii)(c) (Rate Analysis) $4.85 \times 2.8500 = 13.70$ m <sup>2</sup>	13.70	Sqm	@	Rs. <del>122.00</del> 119.53	/Sqm	Rs. <del>1,671.40</del> 1637.56
20	Neat cement punning about 1.5 mm thick in wall ,dado, window sills, floors etc . Note cement 0.152 m <sup>3</sup> /100 m <sup>2</sup> PWD Building Works schedule, P-192 It- No. 15 $2(4.850 + 2.825) \times 0.75 = 11.51$ m <sup>2</sup>	11.51	Sq.m	@	Rs. <del>34.00</del> 32.75	/Sq.m	Rs. <del>391.34</del> 376.95
21	Supplying, fitting and fixing fibre reinforced polymer (FRP) Composite door frame as per approved section with glass fibre reinforced plastic moulded skins and a special sandwich core, so as to impart monolitaheic composite structure as per approved technology of Department of Science and Technology (DST) to safisfy IS: 4020 door testing performance criteria.. (i) 66mm x 90mm PWD Building Works schedule, P-115, It - 3 (i) $2(2 \times 2.10 + 0.75) = 9.90$ M	9.90	Mtr	@	Rs. 497.00 ✓	/Mtr	Rs. 4,920.30
22	Supplying, fitting & fixing fibre reinforced polymer (FRP) Composite door shutters as per approved design with glass fibre reinforced plastic moulded skins and a special sandwich core, so as to impart monolitaheic composite structure as per approved technology of Department of Science and Technology (DST) to satisfy IS:4020 door testing performance criteria. In ground floor. ii) 25 mm thick P-125, It- 14(ii) $2 \times 2.10 \times 0.75 = 3.15$ m <sup>2</sup>	3.15	Sqm	@	Rs. 2,581.00 ✓	/Sqm	Rs. 8,130.15
23	Anodised aluminium barrel / tower / socket bolt (full covered) of approved manufactured from extruded section conforming to I.S. 204/74 fitted and fixed with cadmium plated screws . (vii) 225mm long x 10mm dia. bolt. PWD Building Works schedule. P-144, It No. 26 (vii)	5.00	Each	@	Rs. 84.00 ✓	/Each	Rs. 420.00
24	Iron butt hinges of approved quality fitted and fixed with steel screws, with ISI mark. (viii) 100mm X 75mm X 3.50mm. PWD Building Works schedule, P-140, It No. -5 (viii)	15.00	Each	@	Rs. 66.00 ✓	/Each	Rs. 990.00
25	Anodised aluminium decorative handle (hexagonal / fluted) of approed quality fitted and fixed complete. (i) 150mm plate x 10mm dia rod x 12mm hexagonal/fluted. PWD Building Works schedule, Page -146 . Item no-31,(i)	10.00	Each	@	Rs. 87.00 ✓	/Each	Rs. 870.00

SL. NO	Item Description & Item No.	Quantity	Unit		Rate	Per Unit	Amount
26	Iron hasp bolt of approved quality fitted and fixed complete (oxidised) with 16mm dia rod with concrete bolt and round fitting. b)250mm long. PWD Building Works schedule, Page -141 . Item no-10 b)	2.00	Each	@	Rs. 159.00	/Each	Rs. 318.00
27	Supplying and laying chequered tiles of any shade and of approved quality with (1:1.5:3) cement concrete laied in pannels or patterns as directed in pavement ,footpath etc including necessary underlay 25 mm thick (avg)cement mortar (1:3) complete in all respect with all labour and materials. ( Using cement slurry @4.4kg/sq.m at back side and @2.4 kg/sq.m for joint filling ). PWD Building Works schedule, Page -74 , Item no- 46(i). 25 mm thick 1 x 2.00 x1.00 = 2.00 m2 1 x 1.00 x 2.125 = 2.13 m2	4.13	sq.m	@	Rs. 456.00	/sq.m	Rs. 1,883.28
28	Rendering the Surface of walls and ceiling with White Cement base WATER PROOF wall putty of approved make & brand.(1.5 mm thick) In Ground Floor PWD Building Works schedule, PWD, P- 198, I - 5 136.56 + 13.70 = 150.26 M2 - 14.70 m =	135.56	Sqm	@	Rs. 122.00	/Sqm	Rs. 16,538.32
29	Applying interior grade Acrylic Primer of approved quality and brand on plastered and concrete surface old or new surface to receive Distemper Acrylic emulsion paint including scraping and preparing the surface thoroughly , complete as per manufacturer's specification and as per direction of the E-I-C ( Ground Floor ) ( b ) Two Coats PWD Building Works schedule, Page -74 , Item no- 46(i). 44.63 +19.20 +13.90 -13.7 0 = 66.03 M2	66.03	m2	@	Rs. 4,420.00	/m2	Rs. 2,918.53
30	Dry Destempering interial walls or ceiling including cleaning, washing, smoothening surface (b) two coats PWD Building Works schedule, Page -196 , Item no- 9(b) .	66.06	m2	@	Rs. 49.00	/m2	Rs. 3,236.94
31	Applying exterior grade Acrylic Primer of approved quality and brand on plastered or concrete surface old or new surface to receive Decorative Textured (Martt Finish) or Smooth Finish Acrylic exterior emulsion paint including scraping and preparing the surface thoroughly , complete as per manufacturer's specification and as per direction of the EIC in Ground Floor (b) two coats. PWD Building Works schedule, Page -196 . Item no- 8(h)	57.70	m2	@	Rs. 45.10	/m2	Rs. 2,602.27
32	Protective and Decorative Acrylic Exterior emulsion paint of approved quality, as per manufacturer's specification and as per dirction of EIC to be applied overf Acrylic primer as required. The rate includes cost of materials, labour, scaffolding and all incedental charges but excluding the cost of primer in ground floor (two coats)(a) normal acrylic emulsion. PWD Building Works schedule, Page -197 , Item no- 17(a) 79.69+18.00 +36.00 = 136.69 m2	57.70	m2	@	Rs. 67.00	/m2	Rs. 3,865.90
33	(b) Priming one coat on timber or plastered surface with synthetic oil bound primer of approved quality including smoothening surfaces by sand papering etc. PWD Building Works schedule, Page -200 . Item no- 1 (b)	6.35	Sqm	@	Rs. 38.00	/Sqm	Rs. 241.30
34	(A) Painting with best quality synthetic enamel paint of approved make and brand including smoothening surface by sand papering etc. including using of approved putty etc. on the surface, if necessary : Page - 200 . Item no- 1 (b) (a) On timber or plastered surface : With super gloss (hi-gloss) - (iv) Two coats (with any shade except white) PWD Building Works schedule, Page -200 . Item no- 2(A)(a)(iv)	6.35	Sqm	@	Rs. 81.00	/Sqm	Rs. 514.35

SL. NO	Item Description & Item No.	Quantity	Unit		Rate	Per Unit	Amount
35	(a) M.S.or W.I. Ornamental grill of approved design joints continuously welded with M.S, W.I. Flats and bars of windows, railing etc. fitted and fixed with necessary screws and lugs in ground floor. (i) Grill weighing above 10 Kg./sq.mtr and up to 16 Kg./sq. mtr. PWD Building Works schedule, P-104 Item-13 A (i) (3rd Corrigendam Page No 91) $64 \times 0.600 \times 0.600 = 1.44 \text{ m}^2$ $= 1.44 \text{ m}^2 \times 10.00 \text{ kg} = 14.40 \text{ kg} = 0.144 \text{ qtl}$	0.144	Qntl	@	Rs. 9,888.00 ✓	/Qntl	Rs. 1,423.87
36	a) Priming one coat on steel or other metal surface with synthetic oil bound primer of approved quality including smoothening surfaces by sand papering etc. PWD Building Works schedule, P/200 Item-1(a)	5.64	Sqm	@	Rs. 29.00 ✓	/Sqm	Rs. 163.56
37	(A) Painting with best quality synthetic enamel paint of approved make and brand including smoothening surface by sand papering etc. including using of approved putty etc. on the surface, if necessary : (b) On steel or other metal surface : (iv) Two coats (with any shade except white) PWD Building Works schedule, P-200 Item-2(b)(iv)	5.64	Sqm	@	Rs. 79.00 ✓	/Sqm	Rs. 445.56
38	Supplying and laying true to line and level vitrified tiles of approved brand (size not less than 600 mm X 600 mm X 10 mm thick) in floor, skirting etc. set in 20 mm sand cement mortar (1:4) and 2 mm thick cement slurry back side of tiles using cement @ 2.91Kg./sqM or using polymerised adhesive (6 mm thick layer applied directly over finished artificial stone floor/Mosaic etc without any backing course) laid after application slurry using 1.75 Kg of cement per sqM below mortar only, joints grouted with admixture of white cement and colouring Pigment to match with colour of tiles / epoxy grout materials of approved make as directed and removal of wax coating of top surface of tiles with warm water and polishing the tiles using soft and dry cloth upto mirror finish complete including the cost of materials, labour and all other incidental charges complete true to the manufacturer's specification and direction of Engineer-in-Charge. (White cement, synthetic adhesive and grout material to be supplied by the contrr]e) I (I) With application slurry @1.75 kg/ Sq.m, 20 mm sand cement mortar (1:4) & 2 mm thick cement slurry at back side of tiles, 0.2 kg/ Sq.m white cement for joint filling with pigment. (A) Deep Colour & White PWD Building Works schedule, Page-66 Item-36 (A) ( 3rd Floor $4.85 \times 2.825 = 13.70 \text{ m}^2$	13.70	Sqm	@	Rs. 1,679.00 ✓	/Sqm	Rs. 23,002.30
39	Supplying, fitting & fixing 1st quality Ceramic tiles in walls and floors to match with the existing work & 4 nos. of key stones (10mm) fixed with araldite at the back of each tile & finishing the joints with white cement mixed with colouring oxide if required to match the colour of tiles including roughening of concrete surface, if necessary or by synthetic adhesive & grout materials etc. B) Wall Area of each tile above 0.09 Sq.m ii) Other than Coloured decorative including white PWD Building Works schedule, page-64, Item:35.(B.) (b).(ii) ( 3rd Corrigendam ,Page 36) $2(4.85 + 2.8250) \times 2.10 = 36.84 \text{ m}^2$ $1 \times 2 \times 2.325 \times 2.10 = 9.77 \text{ m}^2$ $2 \times 2 \times 1.60 \times 2.10 = 13.44 \text{ m}^2$	45.35	Sqm	@	Rs. 1029.00 Rs. 4,026.00	/Sqm	Rs. 46665.15 Rs. -46,529.10

SL. NO	Item Description & Item No.	Quantity	Unit		Rate	Per Unit	Amount
40	Supplying profiles of required section made of Aluminium Alloy Extrusions conforming to IS: 732-1983 and IS: 1285-1975; Anodized (with required film thickness and specified colour / natural) matt finished conforming to IS: 1868-1983 for fabrication of composit door, sliding & casement windows, partitions, formed of basic sections of any ISI embossed / certified make and brand as per direction of Engineer - In-Charge. (Payment will be made on finished length of the work). (A) In 10-12 Micron thickness Anodizing film l) Natural white h) Louvered window. i) Top, bottom and side member. PWD Building Works schedule, PWD, P-233, I- 1(h) i	6.50	M	@	Rs. 183.00 ✓	/M	Rs. 1,189.50
41	ii) Louvered Section.	7.20	M	@	Rs. 658.00 ✓	/M	Rs. 4,737.60
42	iii) Cleat angle ( Non-anodized).	6.48	M	@	Rs. 263.00 ✓	/M	Rs. 1,704.24
43	Supplying bubble free float glass of approved make and brand conforming to IS: 2835-1987. iv) 5mm thick coloured / tinted / smoke glass. PWD Building Works schedule, P-243, I -9	1.08	Sq.M.	@	Rs. 585.00 ✓	/Sq.M.	Rs. 631.80
44	Painting block letters or digits in Black Japan or any approved paint as per direction. e) Size above 7.5 cm. and upto 10 cm. PWD Building Works schedule, P-268, It-17(e)	450.00	Each	@	Rs. 12.00 ✓	/Each	Rs. 5,400.00
45	Supplying and planting of different plants / trees (supplying well grown plants bushy and healthy, minimum height as specified i.e. exposed height including all leads and lifts, carriage, handling, manuring applying pesticide and fertilizer etc. i) Furcaria Veriegated 10 to 12 leaves in height 20-30 cm in earthen pot of size 25 cm	10.00	Each	@	Rs. 162.00 ✓	/Each	Rs. 1,620.00
46	x) Ficus blakii (F. Vivicon) well branched (Bushy) of height 120cm - 135 cm in earthen pot of size 30cm. PWD Building Works schedule, Page -261, It- 9 (x)	3.00	Each	@	Rs. 187.00 ✓	/Each	Rs. 561.00
47	xxvi) Areca Palm 4 - 5 suckers of height 90 cm to 105 cm in earthen pots of size 25 cm. PWD Building Works schedule, Page -261, It- 9 (xxvi)	3.00	Each	@	Rs. 127.00 ✓	/Each	Rs. 381.00
SANITARY AND PLUMBING WORKS							
48	Supplying, fitting and fixing Anglo-Indian W.C. in white glazed vitreous china ware of approved make complete in position with necessary bolts, nuts etc. a) With 'P' trap (with vent) PWD S&P Schedule, page-79, item no -3 (a)	5.00	Each	@	Rs. 3,104.00 ✓	/Each	Rs. 15,520.00
49	Supplying, fitting and fixing Closet seat of approved make with lid and C.P. hinges, rubber buffer and brass screws complete (b) Anglo Indian (i) Plastic (hallow type) White PWD S&P Schedule, page-81, item no 10.b.i	2.00	Each	@	Rs. <del>380.00</del> 485.00	/Each	Rs. <del>760.00</del> 970.00
50	Supplying, fitting and fixing Flat back urinal (half stall urinal) in white vitreous chinaware of approved make in position with brass screws on 75 mm X 75 mm X 75 mm wooden blocks complete (ii) 470 mm X 280 mm X 340 mm PWD S&P Schedule, page.80, item no-6/(ii)	2.00	Each	@	Rs. 945.00 ✓	/Each	Rs. 1,890.00
51	Supplying fitting and fixing squatting plate with integrated flushing in white vitreous set in cement concrete (6:3:1) with jhama chips complete. ( Payment of concrete will be paid seperately ) ( I ) 450 mm x 350 mm	2.00	each	@	Rs. 881.00 ✓	/each	Rs. 1,762.00

SL. NO	Item Description & Item No.	Quantity	Unit		Rate	Per Unit	Amount
52	Supplying, fitting and fixing 10 litre P.V.C. low-down cistern conforming to I.S. specification with P.V.C. fittings complete, C.I. brackets including two coats of painting to bracket etc. PWD S&P Schedule, Page No.-36 Item No.-2.	2.00	Nos	@	Rs. 1,015.00	/Nos	Rs. 2,030.00
53	Supplying, fitting and fixing 32 mm dia. Flush Pipe of approved make with necessary fixing materials and clamps complete. i) Polythene Flush Pipe PWD S&P Schedule, Page no 81. Item no. 11(i)	2.00	Each	@	Rs. 155.00	/Each	Rs. 310.00
54	Supplying, fitting and fixing urinal flush pipe fittings of approved brand. (a) C.P. urinal flush pipe fittings range of one PWD S&P Schedule, S.P.81.item-12/a	2.00	Each	@	Rs. 414.00	/Each	Rs. 828.00
55	Supplying, fitting and fixing white vitreous china best quality approved make wash basin with C.I. brackets on 75 mm X 75 mm wooden blocks, C.P. waste fittings of 32 mm dia., mending good all damages and painting the brackets with two coats of approved paint. (ii) 550 mm X 400 mm size PWD S&P Schedule, P-41, It 2 (ii)	2.00	Each	@	Rs. 2,208.00	/Each	Rs. 4,416.00
56	Supplying fitting and fixing pedestal of approved make for wash basin ( White ) PWD S&P Schedule, P-41, It 3	2.00	Each	@	Rs. 1,497.00	/Each	Rs. 2,994.00
57	Supplying, fitting and fixing approved brand P.V.C. CONNECTOR white flexible, with both ends coupling with heavy brass C.P. nut, 15 mm dia., (iii) 600 mm long PWD S&P Schedule, Page No.-43 Item No.-9-iii	5.00	Each	@	Rs. 107.00	/Each	Rs. 535.00
58	Supplying, fitting and fixing approved brand 32 mm dia. P.V.C. waste pipe, with PVC coupling at one end fitted with necessary clamps. (iv) 1050 mm long each PWD S&P Schedule, Page No.-43 Item No. 10-iv	2.00	Each	@	Rs. 91.00	/Each	Rs. 182.00
59	(f) Hand Shower(Health Faucet) with 1mtr Flexible Tube with Wall Hook(Equivalent to Code No.573 & Model -ALLIED of Jaquar or similar). PWD S&P Schedule, Page No.-3 Item No.- 3 f.	2.00	Each	@	Rs. 1,251.00	/Each	Rs. 2,502.00
60	(a) (i) Chromium plated Bib Cock short body (Equivalent to Code No. 511 & Model - Tropical / Sumthing Special of ESSCO or similar brand). PWD S&P Schedule, Page No.-6 Item No.-7-a-i	5.00	Each	@	Rs. 539.00	/Each	Rs. 2,695.00
61	(b) (i) Chromium plated Stop Cock (Equivalent to Code No. 513(A) & 513(B) & Model - Tropical / Sumthing Special of ESSCO or similar PWD S&P Schedule, Page No.-6 Item No.-7-b-i	3.00	Each	@	Rs. 493.00	/Each	Rs. 1,479.00
62	Chromium plated angular Stop Cock with wall flange (Equivalent to Code No. 5053 & Model - Florentine of Jaquar or similar brand). PWD S&P Schedule, Page No.-6 Item No.-7-d-i,	3.00	Each	@	Rs. 815.00	/Each	Rs. 2,445.00
63	Supplying, fitting and fixing pillar cock of approved make. a) (i) CP Pillar Cock - 15 mm. (Equivalent to Code No. 507 & Model - Tropical / Sumthing Special of ESSCO or similar brand). (P. No. - 45, Item. No. - 19(a)i, Pwd Sanitary Plumbing Schedule 2017)	2.00	Each	@	Rs. 555.00	/Each	Rs. 1,110.00

SL. NO	Item Description & Item No.	Quantity	Unit		Rate	Per Unit	Amount
64	Supplying, fitting and fixing PVC pipes of approved make of Schedule 80 (medium duty) conforming to ASTM D - 1785 and threaded to match with GI Pipes as per IS : 1239 (Part - I). with all necessary accessories, specials viz. socket, bend, tee, union, cross, elbo, nipple, long screw, reducing socket, reducing tee, short piece etc. fitted with holder bats clamps, including cutting pipes, making threads, fitting, fixing etc. complete in all respect including cost of all necessary fittings as required, jointing materials and two coats of painting with approved paint in any position above ground. (Payment will be made on the centre line measurements of total pipe line including all specials. No separate payment will be made for accessories, specials. Payment for painting will be made separately) (a) For Exposed Work PVC Pipes, 25 mm Page No.-12 Item No.-19-i(a), PWD, VOL-II, 2017-18	15.00	Mtr	@	Rs. 177.00	/Mtr	Rs. 2,655.00
65	(a) (a) For Exposed Work PVC Pipes, 15 mm Page No.-12 Item No.-19-i(a), PWD, VOL-II, 2017-18	10.00	Mtr	@	Rs. 101.00	/Mtr	Rs. 1,010.00
66	(b) For Concealed Work PVC Pipes, 15 mm Page No.-12 Item No.-19-i(b), PWD, VOL-II, 2017-18	10.00	Mtr	@	Rs. 137.00	/Mtr	Rs. 1,370.00
67	Supplying and fitting fixing of gunmetal wheel valve of approved brand and make tested to 21 Kg per sq. cm. 25 mm dia (E5) PWD S&P Schedule, P-5 It-5, vii).	2.00	Each	@	Rs. 778.00	/Each	Rs. 1,556.00
68	Supplying P.V.C. water storage tank of approved quality with closed top with lid (Black) - Multilayer (b) 1000 litre capacity PWD S&P Schedule, page.37, item no-6 (b)	2.00	Each	@	Rs. 5,128.00	/Each	Rs. 10,256.00
69	Labour for hoisting plastic water storage tank. (i) Upto 1500 litre capacity. (a) Upto 1st story from G.L. PWD S&P Schedule, page.37, item no-10 (i)(a)	2.00	Each	@	Rs. 96.00	/Each	Rs. 192.00
70	Labour for punching hole in plastic water storage tank upto 50 mm dia. PWD S&P Schedule, (P. No. - 38, Item. No. - 13	4.00	Each	@	Rs. 19.00	/Each	Rs. 76.00
71	Supply of UPVC pipes (B Type) & fittings conforming to IS-13592- 1992.(A) (i) Single Socketed 3 Meter Length, (b) 110 mm PWD S&P Schedule, Page No.-68 Item No. 23,(A)(i)(b)	30.00	Mtr	@	Rs. 292.00	/Mtr	Rs. 8,760.00
72	(B) Fittings (i) Coupler, (b) 110 mm	8.00	Each	@	Rs. 85.00	/Each	Rs. 680.00
73	(ii) Plain Tee, (b) 110 mm	12.00	Each	@	Rs. 85.00	/Each	Rs. 1,020.00
74	(iii) Door Tee, (b) 110 mm	10.00	Each	@	Rs. 195.00	/Each	Rs. 1,950.00
75	ix) Bend 45°, (b) 110 mm	10.00	Each	@	Rs. 89.00	/Each	Rs. 890.00
76	xi) Door Bend (T.S.), (b) 110 mm	7.00	Each	@	Rs. 147.00	/Each	Rs. 1,029.00
77	xvi) Pipe Clip, (b) 110 mm	30.00	Each	@	Rs. 21.00	/Each	Rs. 630.00
78	xvii) W.C. Connector (150 mm long) 125 X 110(W/WC Ring) 75 mm	4.00	Each	@	Rs. 142.00	/Each	Rs. 568.00
79	xxx) Plain Floor Trap with Top tile & Strainer 75 mm	7.00	Each	@	Rs. 144.00	/Each	Rs. 1,008.00
80	L) Rubber Ring, (b) 110 mm	15.00	Each	@	Rs. 17.00	/Each	Rs. 255.00
81	C) Rubber Lubricant 500 ML	1.00	500 ML	@	Rs. 187.00	/500 ML	Rs. 187.00
82	D) Solvent Cement 250 ML	1.00	250 ML	@	Rs. 103.00	/250 ML	Rs. 103.00
83	Labour for fitting and fixing U.P.V.C. pipes for above ground work including cost of jointing materials etc. fitting and fixing all necessary specials, cutting pipes, cutting holes in total pipeline including specials. (B) Under ground, (ii) 110 mm dia. PWD S&P Schedule, (P. - 74, Item. No. - 24 (B)	20.00	Mtr	@	Rs. 84.00	/Mtr	Rs. 1,680.00

SL. NO	Item Description & Item No.	Quantity	Unit		Rate	Per Unit	Ammount
84	Supplying, fitting & fixing UPVC pipes A- Type and fittings conforming to IS:13592-1992 with all necessary clamps nails, including making holes in walls, floor etc. cutting trenches in any soil through masonry concrete structures etc if necessary and mending good damages including joining with jointing materails (Spun Yarn, Valamoid/Bitumen/M-Seal etc) complete. A) UPVC Pipes: (i) 75 mm. Dia. (P. - 212, Item. No. - 21 (A)(i) , (B),(c),(i) & (B), (d),(i), Pwd volume- i, 2017)	20.00	Mtr	@	Rs. 188.00	/Mtr	Rs. 3,760.00
85	B) UPVC Fittings: c) Bend 87.5 degree (i) 75 mm. Dia.	6.00	Mtr	@	Rs. <del>95.00</del> 84.00	/Mtr	Rs. <del>570.00</del> 504.00
86	B) UPVC Fittings: d) Shoe (i) 75 mm. Dia.	2.00	Mtr	@	Rs. 78.00	/Mtr	Rs. 156.00
87	Constructing Inspection pit of inside measurement 600mm X 600mm X upto 600mm (depth) with 250 mm thick 1st. class brick work in cement mortar (1:4) on all sides, bottom of the pit consisting of 100 mm thick cement concrete (1:3:6) with stone chips over a layer of jhama brick flat soling, 15 mm thick (1:4) cement plaster to inside walls and out-side walls upto G.L. and 20 mm.thick (1:4) plaster to bottom of the pit, providing necessary invert with cement concrete (1:3:6) with stone chips as per direction, neat cement finishing to entire internal surfaces, top of the pit covered with 100 mm thick R.C.C. slab (1:1.5:3) with stone chips and necessary reinforcements upto 1% and shuttering including 6 mm thick cement plaster (1:4) in all external surfaces of the slab and one 560 mm dia. R.C.C. manhole cover of approved make supplied, fitted and fixed in the slab with necessary fittings, necessary earthwork in excavation in all sorts of soil, filling sides of the pit with earth and removing spoils after work complete in all respect with all costs of labour and materials. i) With Pakur variety (Other than SAIL/TATA/RINL). PWD S&P Schedule, S.P.87,Item No-1/(i), 7th Corrigena	2.00	Each	@	Rs. <del>7,082.00</del> 6481.00	/Each	Rs. <del>14,164.00</del> 12962.00
88	Construction of septic tank of different capacities as per approved drawing with 1st class brick work in cement mortar (1:4) including two 560 mm dia. R.C.C. manhole cover (heavy type) of approved make supplied, fitted and fixed in the 100mm thick R.C.C (1:1.5:3) top slab with necessary fittings, 20mm thick cement plaster (4 : 1) with neat cement finish to the internal surfaces and 15 mm thick cement plaster (4 : 1) to outside wall upto 200 mm below G.L floor finished with 25 mm thick grey artificial stone over 100 mm thick R.C.C(1:1.5:3) bottom slab including supplying, fitting and fixing all necessary specials, fittings, S.W. tees, C.I. foot rest etc. including excavation earth in all sorts of soil, shoring, bailing out and pumping out water as necessary, ramming, dressing the bed and feffilling the sides of the tanks with earth, removing spoils, filling up the chamber with clear water, removing foreign materials from the chamber and including constructing attached inspection pit as per approved drawing and connecting all necessary pipes, joints etc. with internal plaster work and artificial stone flooring is to be done with admixture of water proofing compound @ 0.5% by weight of cement with all costs of labour and materials. (ii) For 20 users	1.00	Each	@	Rs. <del>47,844.00</del> 44120.00	/Each	Rs. <del>47,844.00</del> 44120.00

SL. NO	Item Description & Item No.	Quantity	Unit		Rate	Per Unit	Amount
89	Construction of circular soak well 2.5 metre deep in all types of sandy soils with dry brick work upto 1.6 metre from the bottom having 150 mm intermediate cement brick work (1:4) band all round and cement brick work (1:4) upto 0.90 metre from top with 20mm thick cement plastering (1:4) to inside face upto the depth of cement brick work, 15mm thick cement plaster (1:4) on outer face from top of the well upto G.L. and 6 mm thick cement plaster (1:4) on top of the R.C.C. cover slab including filling bottom 1.00 metre of inside of the well with brick metal (50 mm to 63 mm size) including R.C.C. cover slab of 100 mm thick with cement conc (1:1.5:3) with stone chips with necessary reinforcement and shuttering including one 560 mm dia. R.C.C. manhole cover (heavy type) of approved make supplied, fitted and fixed in the cover slab with necessary fittings, making necessary arrangements for pipe connections, excavation of well including shoring, dewatering and removing the excess earth from the premises as per direction complete in all respect with all costs of labour and materials. With 250 mm thick dry brick work and 250 mm thick cement brick work (1:6) and 1.00m inside dia. (Other than SAIL/TATA/RINL) S.P.89,Item No-4 7th Corrigenda Volume ii	1.00	Each	@	Rs. <del>15,689.00</del> 14586.00	/Each	Rs. <del>15,689.00</del> 14586.00
90	Supplying, fitting and fixing towel rail with two brackets. (a) C.P. over brass (ii) 25 mm dia. and 600 mm long PWD S&P Schedule, p No 82 I No- 22 (a)(ii)	2.00	Each	@	Rs. 430.00 ✓	/Each	Rs. 860.00
91	Supplying, fitting and fixing bevelled edged mirror 5.5 mm thick silver red as per I.S. 3438 / 1965 together with brass C.P. hinges. (ii) 600 mm X 450 mm PWD S&P Schedule, P-81, It-15(ii)	2.00	Each	@	Rs. 484.00 ✓	/Each	Rs. 968.00
92	Supplying, fitting and fixing soap holder. (b) Fibre glass Sanitary and plumbing work schedule P-82, It-18(b)	2.00	Each	@	Rs. 58.00 ✓	/Each	Rs. <del>406.00</del> 116.00
93	Supplying, fitting and fixing glass shelf with aluminium guard rails. (a) Ordinary type with 5.5 mm sheet glass (i) 450 mm X 125 mm Sanitary and plumbing work schedule P-81, It-16(a)(i)	2.00	Each	@	Rs. 341.00 ✓	/Each	Rs. 682.00
					Rs. 530975.03		Rs. 5,39,393.92
	Add S.G.S.T. @				9% Rs. 47787.75		Rs. 48,545.45
	Add C.G.S.T. @				9% Rs. 47787.75		Rs. 48,545.45
	Cost Of Civil Work				Rs. 626550.53		Rs. 6,36,484.82
	Add Labour.Welfare.Cess. @				1% Rs. 6265.51		Rs. 57,283.63
	Total Amount Including Labour.Wekfare.Cess.				Rs. 632816.04		Rs. 6,93,768.45
	Add Contengency @3%				Rs. 18796.52		Rs. 62,439.16
	Total Amount Including Labour.Welfare.essC. and contengency				Rs. 651612.56		Rs. 7,56,207.61
	Say Rs.				Six one six thiatteen Rs. 651613.00		Rs. 7,56,208.00
(Rupees <del>Seven</del> Lakh Fifty Six Thousand Two Hundred and Eight Only)							

~~Handwritten~~  
30/1/24  
S.A.E.  
Bankura Municipality

VETTED

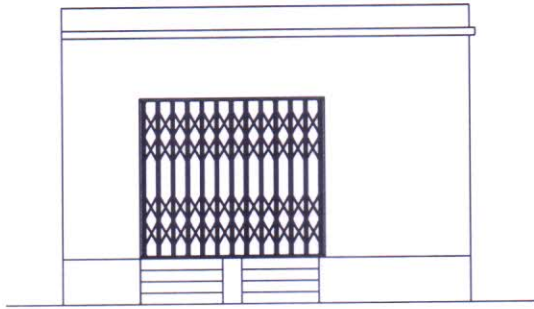
Chairperson  
Bankura Municipality

Only Rates are checked  
SR 13.01.25  
SUBHANIL DAS  
Junior Engineer (Civil)  
Bankura Division  
M.E. Directorate  
Govt. of West Bengal

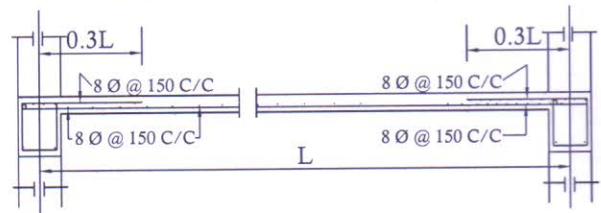
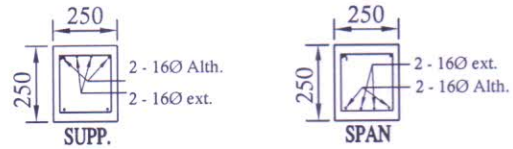
BANASHRI SAHA  
Assistant Engineer  
Bankura Division  
M.E. Directorate  
Govt. of West Bengal

ANIMESH RAY  
Executive Engineer  
Bankura Division  
M.E. Directorate  
Govt. of West Bengal

**MODLE DRAWING FOR CONSTRUCTION OF C. T./P.T.  
TOILET SEATS 2 NOS URINAL 3 NOS  
MODLE NO.- F**

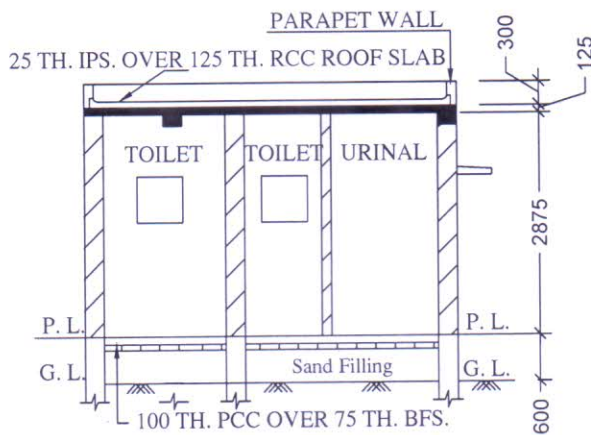


**FRONT ELEVATION**

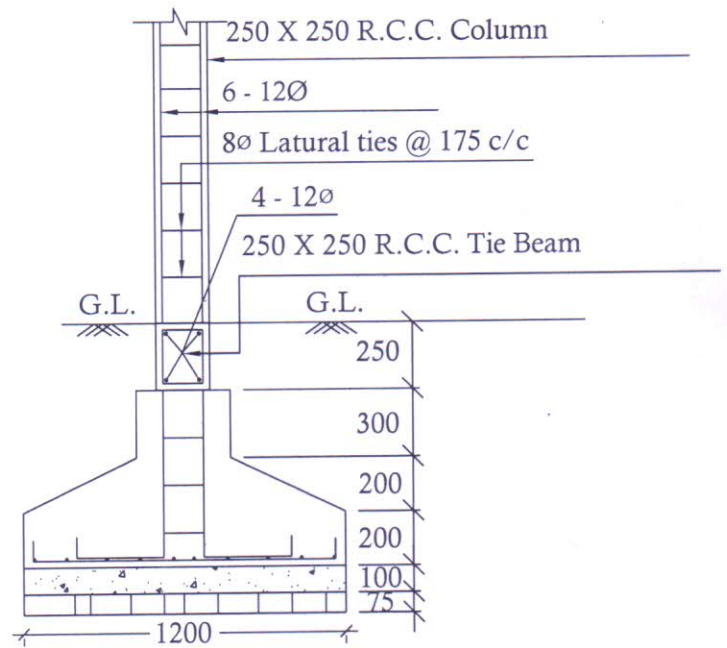


**Details Of R.C.C Roof Slab & Beam**

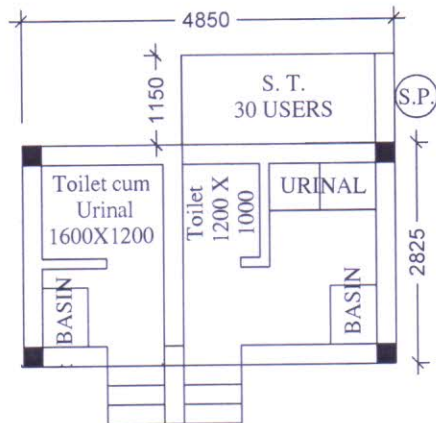
(SCALE - 1 : 25)



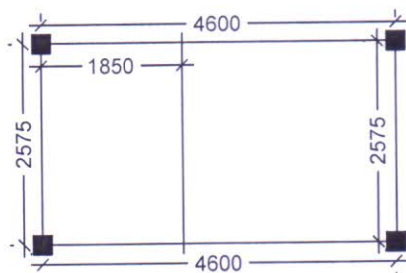
**SECTION - 'A - A'**



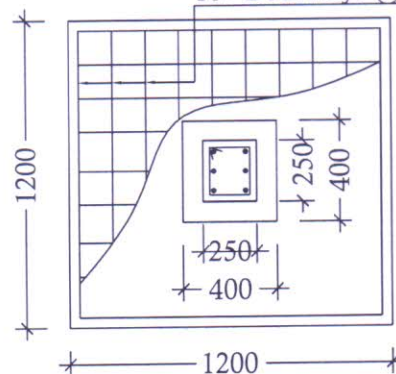
10Ø Bothways @ 125 c/c



**PLAN**



**LAYOUT PLAN**



**DETAILS OF R. C. C COLUMN**

(SCALE - 1 : 25)

*[Signature]*  
30/12/24  
S.A.E.

**Bankura Municipality**

*[Signature]*  
30/12/24  
**Chairperson**  
**Bankura Municipality**

**BANKURA MUNICIPALITY**

**Estimate of the probable cost for New Construction work of Community Toilet at Dan Pukur Par, Boro Kalitala, Opposite Goli of Harisava within ward 9 as per Model Toilet Block - F under the jurisdiction of Bankura Municipality  
NON SCHEDULE WORKS  
TOILET SEATS - 2 NOS AND URINAL - 3 NOS**

SL. No	Item Description & Item No.	Quantity	Unit		Rate	Unit	Amount
1	Standard plastic dustbin (12lits)	4	Each	@	Rs. 350	/Each	Rs. 1,400.00
2	Air freshner(pack of 4nos)	6	Each	@	Rs. 216	/Each	Rs. 1,296.00
3	Air freshner (Naphthaline 250 gm)	5	Each	@	Rs. 210	/Each	Rs. 1,050.00
4	supplying paper Napkin	5	Each	@	Rs. 50	/Each	Rs. 250.00
6	Supplying Sanitary Napkin ( Whisper or similar make 50 pcs )	4	Each	@	Rs. 520	/Each	Rs. 2,080.00
7	Harpic (blue 500 ml)	4	Each	@	Rs. 300	/Each	Rs. 1,200.00
8	Harpic (Red 500 ml)	4	Each	@	Rs. 150	/Each	Rs. 600.00
9	Gala double lip floor wiper	4	Each	@	Rs. 350	/Each	Rs. 1,400.00
10	colin glass or surface cleaner	2	Lit	@	Rs. 200	/Lit	Rs. 400.00
11	Muriatic Acid	2	Lit	@	Rs. 145	/Lit	Rs. 290.00
12	Bleaching powder	4	Kg	@	Rs. 120	/Kg	Rs. 480.00
13	Dettol ,lifeboy or similar make liquid soap	6	Lit	@	Rs. 140	/Lit	Rs. 840.00
14	Rubber hand gloves	6	Pair	@	Rs. 80	/Pair	Rs. 480.00
15	Double side plastic brush	6	Each	@	Rs. 125	/Each	Rs. 750.00
16	Plastic Broom	4	Each	@	Rs. 170	/Each	Rs. 680.00
17	supplying roaster /register for keeping account of regular cleanig	3	Each	@	Rs. 200	/Each	Rs. 600.00
18	Signage ACP Base & reflective vinyl	1	Each	@	Rs. 3,776	/Each	Rs. 3,776.00
19	SMS/ Any other ITC based feed back system (with number displayed on which SMS has to be sent)	1	Each	@	Rs. 5,000	/Each	Rs. 5,000.00
20	Supplying and fixing sinage with fixing stand post for public toilet for visible to passersby	4	Each	@	Rs. 1,000	/Each	Rs. 4,000.00
					<b>TOTAL</b>	<b>Rs.</b>	<b>Rs. 26,572.00</b>
					<b>Labour Cess 1%</b>		<b>Rs. 266.00</b>
					<b>Contengency 3%</b>		<b>Rs. 797.00</b>
					<b>TOTAL</b>		<b>Rs. 27,635.00</b>

(Rupees Twenty Seven Thousand Six Hundred Thirty Five Only)

*Khand*  
02/06/25  
S.A.E.  
Bankura Municipality

Do 466/25  
Chairperson  
Bankura Municipality

59  
04/06/25  
SUBHANIL DA  
Junior Engineer (Civil)  
Bankura Division  
M.E. Directorate  
Govt. of West Bengal

A.K.M.P  
04/06/25  
Assistant Engineer  
Bankura Divn. (Works)  
M.E. Directorate  
Govt. of West Bengal

**VETTED**  
*[Signature]*  
A.G. 25  
**ANIMESH RAY**  
Executive Engineer  
Bankura Division  
M. E. Directorate  
Govt. of West Bengal

**BANKURA MUNICIPALITY**

**NAME OF WORK:- CONSTRUCTION OF TOILET BLOCK ( CT/PT) MODEL NO - F ELECTRICAL WORKS**

**TOILET SEATS - 2 NOS AND URINAL - 3 NOS** (Dam Pukur Par, Boro  
[ASPIRATIONAL PARAMETER] **Kalitala, Opposite Gali of Harisava)**

\* As per PWD & I & WD schedule district charges will be applicable on PWD & I & WD schedule items **(Wood-9)**

\* No district charges will be applicable on non-schedule items

Sl No.	Item Description	Unit	Quantity	Rate	Amount	Remarks
1	Distribution wiring in 1.1 KV grade 2x22/0.3 (1.5 sqmm) single core stranded 'FR' PVC insulated & unsheathed copper wire (Brand approved by EIC) in suitable size PVC <del>easing-capping</del> <b>Rigid Conduit</b> (Precision make) with 1x22/0.3 (1.5 sqmm) single core stranded 'FR' PVC insulated & unsheathed copper wire for ECC, incl. necy. PVC clips, fittings etc. to light/fan/call bell point with piano key type switch (Anchor make) fixed on sheet steel fabricated switch board with Perspex/bakelite top cover on wall incl. necy. connections and making earthing attachment and mending good damages to building works. [PVC <del>easing-capping</del> <b>Rigid Conduit</b> and Switch board both on surface] <b>(PWD sch P- E-14, I-2,a)</b>	Point	<del>13</del> <b>11</b>	Rs. <del>605.85</del> <b>642.60</b>	Rs. <del>7,876.05</del> <b>7068.60</b>	District charges will be applicable for different districts on Rs. <del>577/-</del>
	Average run 5 mtr					
2	Distribution Wiring in 1.1 KV grade 2x22/0.3 (1.5 sqmm) single core stranded 'FR' PVC insulated & unsheathed copper wire (Brand approved by EIC) in suitable size PVC <del>easing-capping</del> <b>Rigid Conduit</b> (Precision make) with 1x22/0.3 (1.5 sqmm) single core stranded 'FR' PVC insulated & unsheathed copper wire for ECC, incl. necy. PVC clips, fittings etc. to 5A 3 pin flush type plug socket with piano key type switch (Anchor make) fixed on sheet steel fabricated CRC MS switch board with bakelite/perspex (wall matching color) top cover of 3 mm thick flushed in wall by housing the board after cutting brick wall incl. necy. connection making earthing attachment, painting and mending good damages to building works [PVC <del>easing-capping</del> <b>Rigid Conduit</b> and plug box both on surface] <b>On Board (only for pay counter)</b> <b>(PWD Schedule Page No-E-14 I-4a)</b>	Point	<del>13</del> <b>1</b>	Rs. 70.35	Rs. <del>914.55</del> <b>70.35</b>	District charges will be applicable for different districts on Rs. 67/-
3	Supplying and fixing <del>Sheet steel Main Switches on flat iron frame on wall 240V DP with fuse on L&amp;N 32 A [Make-Havells] 30mA Rccb (Complete Set)</del> <b>(Legrand)</b> <b>30mA Rccb (Complete Set)</b> [PWD Schedule Page No-D-1 Item No-1(a)] <b>(ISI marked)</b>	Nos	1	Rs. <del>1,340.85</del> <b>5942.00</b>	Rs. <del>1,340.85</del> <b>5942.00</b>	District charges will be applicable for different districts on Rs. 1277/-
4	Wiring in 1.1 KV grade single core stranded 'FR' PVC insulated & unsheathed copper wire (Brand approved by EIC) of following sizes in 25mm PVC <del>easing-capping</del> <b>Rigid Conduit</b> (Precision make) incl. necy. PVC clips, fittings etc. 2 x 36/0.3 (2.5 sqmm) + 1 x 22/0.3 (1.5 sqmm) ECC <b>(PWD Schedule Page No-E-14 Item No-1a)</b>	mtr	<del>65</del> <b>14</b>	Rs. <del>107.10</del> <b>124.95</b>	Rs. <del>6,961.50</del> <b>1749.30</b>	District charges will be applicable for different districts on Rs. 102/-
5	Supplying and fixing MCB SS enclosure with IP-20/30 protection, powder coated provision for two/four pole MCB, concealed in wall after cutting the wall & mending good the damages to original finish incl. painting, <b>(2+4)</b> connection & provision for earthing attachment <b>(4 way MCB enclosure)</b> <b>incl 240V 40A DP MCB Isolator</b> [PWD SCH P-D.9 Item-11] <b>(Havells) (PWD-D/6, I/6)</b>	No	<del>2</del> <b>1</b>	<b>(935+208)</b> Rs. <del>331.80</del> <b>=1143+5% =1200.15</b>	Rs. <del>663.60</del> <b>1200.15</b>	District charges will be applicable for different districts on Rs. 316/-
6	Supplying and fixing 240/415 V MCB of Breaking capacity 10kA & C characteristics on din rail of existing DBs and necessary connection 6-32A SP MCB (Make -Havells) <b>IPWD Schedule Page No-D-6:Item No-7]</b>	Nos	<del>3</del> <b>4</b>	Rs. 176.40	Rs. <del>529.20</del> <b>705.60</b>	District charges will be applicable for different districts on Rs. 168/-

Sl No.	Item Description	Unit	Quantity	Rate	Amount	Remarks
7	Supply of TMC501 conventional industrial batten philips LED Tube,model no- TMC501 P1xT-LED 22W P3241 (WB I & WD schedule P-113, I- 5:3 F.22)	Nos	<del>3</del> 2	Rs. <del>473.55</del> 460.02	Rs. <del>1,420.65</del> 920.04	District charges will be applicable for different districts on Rs. 451/-
8	Fixing only single/twin fluroscent light fitting complete with all accessories directly on wall/ceiling by screws etc.. [PWD Schedule Page No-C-2;Item No-14a]	Nos	<del>3</del> 2	Rs. 90.30	Rs. <del>270.90</del> 180.60	District charges will be applicable for different districts on Rs. 86/-
9	Supply & fixing Bulk head light fittings with die cast aluminium housing frosted/clear glass on wall/ceiling incl S/F 9 watt LED Lamp complete set. [Make - Havells] (PWD sch - Page--D-13, I-23)	Nos	<del>2</del> 3	Rs. <del>597.45</del> 672.45	Rs. <del>1,194.90</del> 2017.35	District charges will be applicable for different districts on Rs. 569/-
10	Supply & fixing smart bright street light complete with all accessories to be fixed from the wall of building or on pole incl. making holes /providing clamping arrangement & necy. GI reducer as required.S&F 40 mm GI Pipe 1.5 mtr average length & s&f necy length of 1.5 sqmm pvc insulated single core copper wire & making connections as required & mending good damages incl wall paingting. (30 Watt) (Make - Bajaj) [WB I & WD sch P-113, I-5:3 F.22]	Nos	1	Rs. <del>3,166.80</del> 3076.32	Rs. <del>3,166.80</del> 3076.32	District charges will be applicable for different districts on Rs. 3016/-
11	Supply of <del>12"</del> domestic metal exhaust fan 230V 50 Hz (Model- Trans Air <del>12"</del> Grey) ( Make- Crompton/Havells/Bajaj) (9") (UD & MA schedule P-14, I-5)	Nos	<del>5</del> 3	Rs. 2,093.00 1863/-	Rs. <del>10,465.00</del> 5589.00	No district charges
12	Fixing only exhaust fan after making hole in wall and making good damages and smooth cement finish etc. as practicable as possible and providing necy. length of PVC insulated wire and making connection for exhaust of following diameter: <del>30 cm (12")</del> (9") [PWD Schedule Page No-C-4;Item No-28(b)]	Nos	<del>5</del> 3	Rs. <del>345.45</del> 259.35	Rs. <del>1,727.25</del> 778.05	District charges will be applicable for different districts on Rs. 329/-
13	Fixing only louver shutter/cowl on wall with necy. bolts & nuts (6 mm dia x 62 mm long) (9") For <del>30 cm (12") Exhaust fan</del> [PWD Schedule Page No-C-4;Item No-28(b)]	Nos	<del>5</del> 3	Rs. <del>115.50</del> 86.10	Rs. <del>577.50</del> 258.30	District charges will be applicable for different districts on Rs. 110/-
14	S/F 240V 25A Modular type starter (brand approved by EIC)with 25 A. Modular switch DP MCB (C-Curve)and 4 Module G.I. Moduar type switch board with 4 Module Top Cover Plate flushed in wall incl. S/F switch board and Cover Plate and making necy. Connections with PVC Copper wire and earth connectivity wire etc. as per schedule [for Pump] [PWD Schedule Page No-E-19, Item No-17] (Please follow in details)	Nos	<del>2</del> 1	Rs. 823.20	Rs. <del>1,646.40</del> 823.20	District charges will be applicable for different districts on Rs. 784/-
15	Supply of 240V A.C Ceiling Fan ( 48" sweep complete) [Make-Crompton [ for counter only] (1200 mm) (UD & MA schedule P- 23, I- 70)	Each	<del>2</del> 1	Rs. 2,283.00	Rs. <del>4,566.00</del> 2283.00	No district charges
16	Fixing only Ceiling Fan [PWD sch P- C-3, I-21(a)]	Each	<del>2</del> 1	Rs. 69.30	Rs. <del>138.60</del> 69.30	District charges will be applicable for different districts on Rs. 66/-
17	Supply & Fixing 240 V, 20 A Piano key type switch (Brand approved by EIC) on sheet metal switch board incl. S & F 100x100x65mm MS (16SWG) switch board and bakelite/perspex top cover of 3mm thick by Brass screws after making housing for switch by cutting bakelite/perspex cover and making necessary connections as required [PWD sch P- E-6, I-17(b)]	Each	2	Rs. 211.00	Rs. 422.00	District charges will be applicable for different districts on Rs. 201/-

Sl No.	Iteam Description	Unit	Quantity	Rate	Amount	Remarks
18	Supply and Fixing of 2 mm Polyvinyl glow sign board made of 22 SWG GI sheet box with 1"X1" aluminum channel for fixing the vinyl board after necessary cutting the letter as required & s/f LED tube light fittings along with all accessories. (16 sqft @495.00/sqft) (UD & MA schedule P-14, I-4)	Nos	1	Rs. 7,920.00	Rs. 7,920.00	No district charges
19	Earthing installation by GI earth Spike (1830 X 20 mm) including 8SWG GI EarthWire & GI nuts, bolts, washer etc.	Nos.	1	Rs. 450.00	Rs. 450.00	No district charges
				Total	Rs. 52,251.75	41538.01
				Add 18% GST	Rs. 9,405.32	7476.84
				Total With GST (A)	Rs. 61,657.07	49014.85
				Cess@1%	Rs. 616.57	490.14
				total	Rs. 62,273.64	49505.00
	Contingency Amount on "A"			Contingency@3%	Rs. 1,849.71	1470.44
	(Total+GST)=Rs:			Total	Rs. 64,123.35	50975.44
				Say Total =	Rs. 64,123.00	+
	<del>*(if require)</del> (+) Service Connection Charges			Rs. 5000.00	Rs. 5,000.00	5000.00
				Grand Total	Rs. 69,123.00	55975.44

(Rupees Sixty Nine Thousand One Hundred Twenty Three Only)

Say Rs. 55,975.00

*[Signature]*  
27/12/24  
S.A.E.  
Bankura Municipality

*[Signature]*  
27/12/24  
Chairperson  
Bankura Municipality

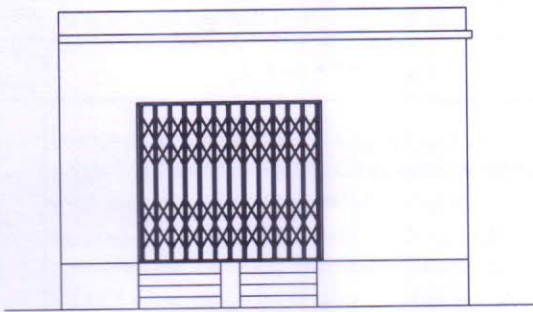
*[Signature]*  
22-01-25  
Junior Engineer  
Electrical & Mechanical Division  
SUDA

Technically Vetted Rs. 55,975/-  
(Rupees fifty five thousand nine hundred seventy five)

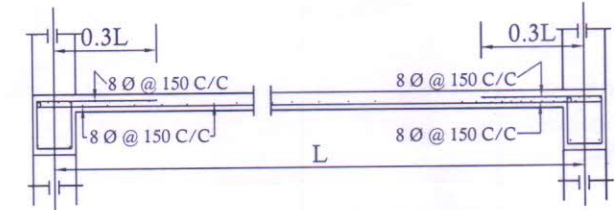
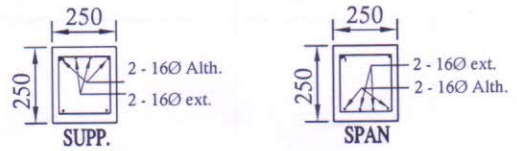
*[Signature]*  
22/1/25  
Executive Engineer (E/M)  
O/O the Secretary M.E. Dte.  
Government of West Bengal

*[Signature]*  
22.1.25  
ASSISTANT ENGINEER  
ELECTRICAL & MECHANICAL DIVISION  
SUDA

**MODLE DRAWING FOR CONSTRUCTION OF C. T./P.T.  
TOILET SEATS 2 NOS URINAL 3 NOS  
MODLE NO.- F**

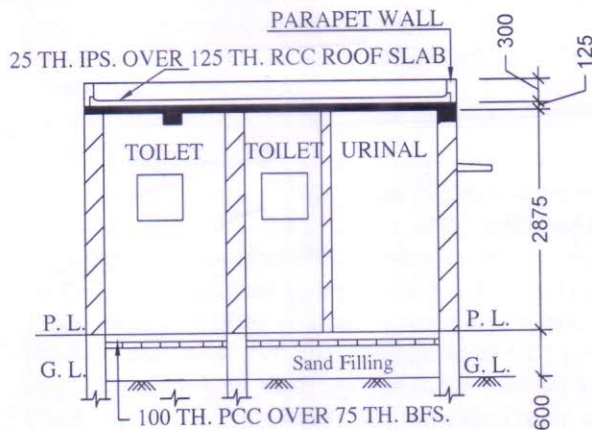


**FRONT ELEVATION**

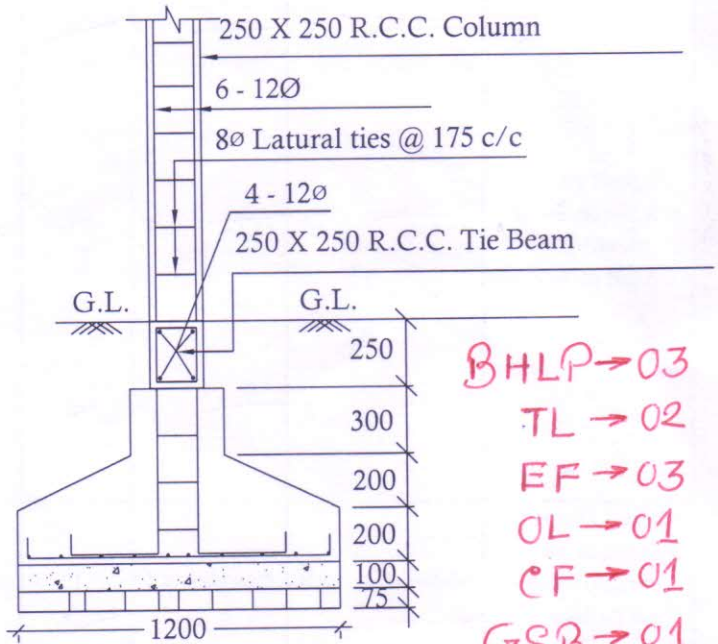


**Details Of R.C.C Roof Slab & Beam**

(SCALE - 1 : 25)

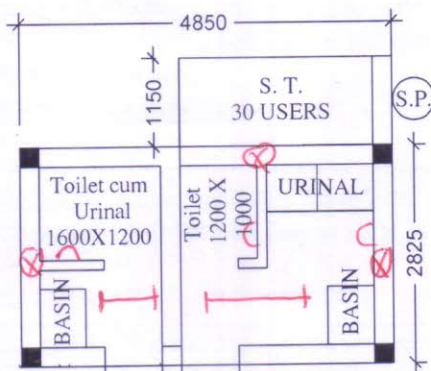


**SECTION - 'A - A'**

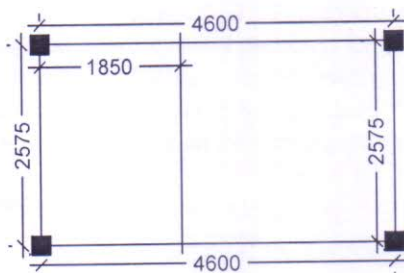


**BHLP → 03**  
**TL → 02**  
**EF → 03**  
**OL → 01**  
**CF → 01**  
**G&SB → 01**

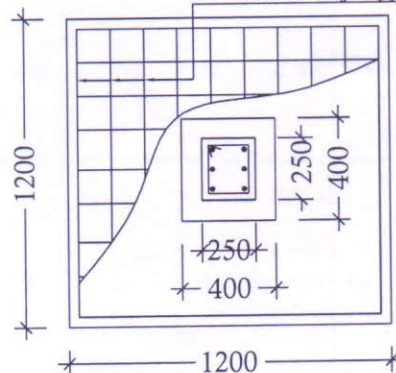
**11 p.s.**



**PLAN**



**LAYOUT PLAN**



**DETAILS OF R. C. C COLUMN**

(SCALE - 1 : 25)

*[Signature]*  
**27/12/24**  
**S.A.E.**

**Bankura Municipality**

*[Signature]*  
**27/12/24**  
**Chairperson**  
**Bankura Municipality**