

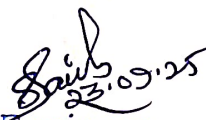
**NAME OF WORK:- ESTIMATE FOR NON-SCHEDULED WORK OF COMMUNITY TOILET AT ABINASHCHANDRA  
GHOSH S PRIMARY SCHOOL, WARD-10 ,PLOT-1010, MOUZA-SAINTHIA, JL-95, WARD-10 under SAINTHIA MUNICIPALITY  
OF WEST BENGAL  
(MODEL NO - ULB)**

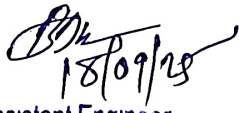
\*The rates of non-scheduled item as approved by SUDA.


\* No district charges will be applicable on non-schedule items.

SL.NO	Item Description & Item No.	Quantity	Rate	Unit	Amount
1	Non Shedule Item Sl. No. 91-106 ( Order as per SUDA) standard plastic dustbin (12lits)	2	350	Each	700.00
2	Sinage APC based & Reflective vinyl	2	3776	each	7552.00
3	Supplying and fixing sinage with fixing stand post for public toilet for visible to passersby	1	1000	Each	1000.00
4	Glow Sign board Name and contact details of the following are displayed prominently - Toilet Identification number , name of ULB under which	1	5000	each	5000.00
5	Installation of Sinage	1	2071	each	2071.00
6	Air freshner(pack of 4nos)	1	216	Each	216.00
7	Air freshner (Napthaline 250 gm)	1	210	Each	210.00
8	Supplying paper Napkin	1	50	Each	50.00
9	Supplying Sanitary Napkin ( Whisper or similar make 50 pcs )	1	520	Each	520.00
10	Harpic (blue 500 ml)	1	300	Each	300.00
11	Harpic (Red 500 ml)	1	150	Each	150.00
12	Gala double lip floor wiper	1	350	Each	350.00
13	Colin glass or surface cleaner	1	200	Lit	200.00
14	Muriatic Acid	1	145	Lit	145.00
15	Bleaching powder	1	120	Kg	120.00
16	Dettol ,lifeboy or similar make liquid soap	2	140	Lit	280.00
17	Rubber hand gloves	1	80	Pair	80.00
18	Double side plastic brush	1	125	Each	125.00
19	Plastic Broom	1	170	Each	170.00
20	SMS/any other ICT based feedback system ( With number displayed on which SMS has to be sent )	1	5000	each	5000.00
21	Mini Tulu Pump	1	4000	each	4000.00

22	supplying roaster /register for keeping account of regular cleanig	1	200	Each	200.00
23	Lettering on Toilet Wall for display of name and contact details of ULB ward number and name of maintainance authority , saniinspector, etc.	1	1000	each	1000.00
				Rs.	29439.00
			Total	Rs.	29439.00
	Add for Contingency @ 3 %			Rs.	883.17
			<b>TOTAL</b>	Rs.	<b>30322.17</b>
				<b>Say Rs.</b>	<b>30322.00</b>
<b>Rupees Thirty Thousand Three Hundred Twenty Two Only</b>					

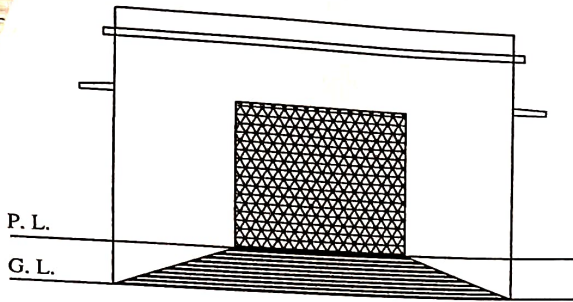
  
 23/09/25  
 Sr. Engineer  
 Birbhum Division  
 M. E. Directorate  
 Govt. of West Bengal

  
 18/09/25  
 Sub-Assistant Engineer  
 SAINTHIA MUNICIPALITY  
 Sainthia, Birbhum

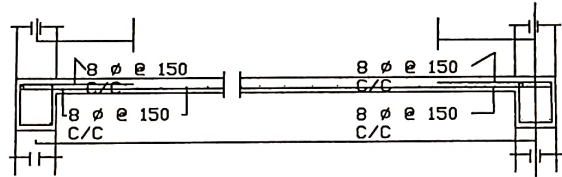
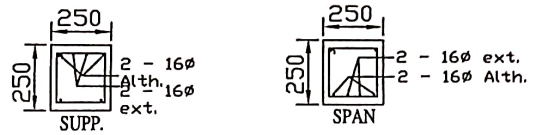
  
 Chairman  
 SAINTHIA MUNICIPALITY  
 Sainthia, Birbhum

  
 23/9/25  
 Assistant Engineer  
 Birbhum Division  
 Municipal Engineering Directorate  
 Govt. of West Bengal

CONSTRUCTION OF COMMUNITY TOILET AT ABINASHCHANDRA GHOSH S  
 PRIMARY SCHOOL, WARD-10  
 PLOT-1010, MOUZA-SAINTHIA, JL-95, WARD-10 UNDER SAINTHIA  
 MUNICIPALITY OF WEST BENGAL  
 Toilet Seats- 4 Nos and Urinal -5 Nos

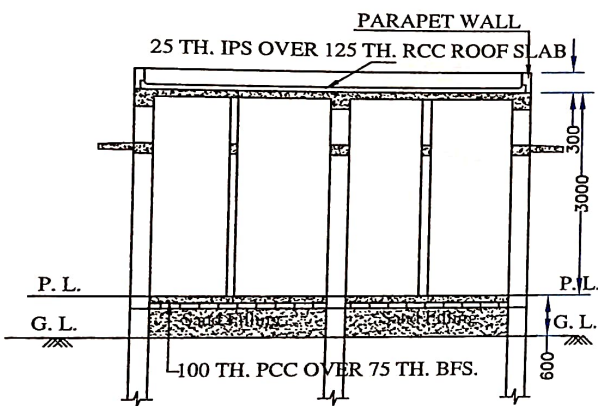


FRONT ELEVATION

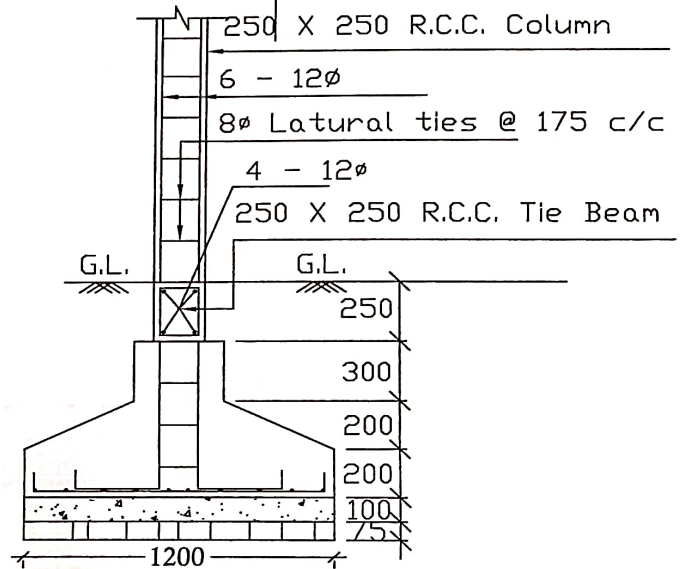


Details Of R.C.C Roof Slab & Beam

(SCALE - 1 : 25)

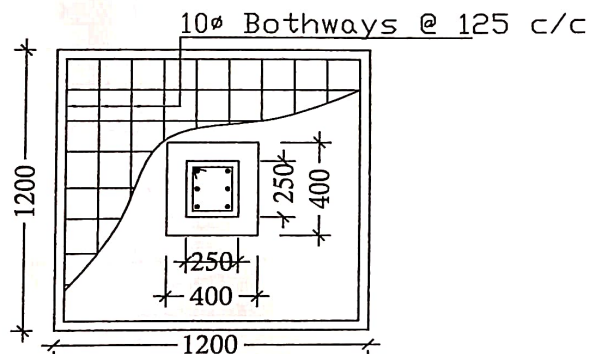
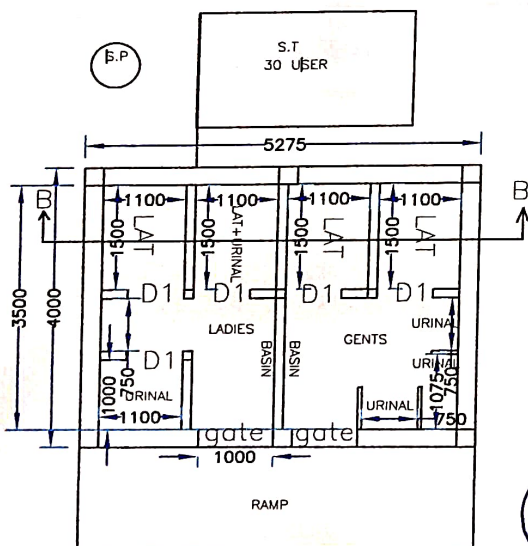


SECTION - 'B - B'



DETAILS OF R. C. C COLUMN

(SCALE - 1 : 25)



Sub-Assistant Engineer  
 SAINTHIA MUNICIPALITY  
 Sainthia Birbhum

Chairman  
 SAINTHIA MUNICIPALITY  
 Sainthia, Birbhum