

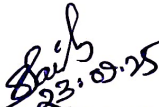
**NAME OF WORK:- ESTIMATE FOR NON-SCHEDULED WORK OF COMMUNITY TOILET AT CHAR MATHA MORE
 ,BESIDE POLICE STATION, WARD-08, MOUZA-SAINTHIA, JL-95 UNDER SAINTHIA MUNICIPALITY OF WEST BENGAL
 (MODEL NO - ULB)
 [ASPIRATIONAL PARAMETER]**

*The rates of non-scheduled item as approved by SUDA.

* No district charges will be applicable on non-schedule items.

SL.NO	Item Description & Item No.	Quantity	Rate	Unit	Ammount
1	Non Shedule Item Sl. No. 91-106 (Order as per SUDA) standard plastic dustbin (12lits)	2	350 ✓	Each	700.00 ✓
2	Sinage APC based & Reflective vinyl	2	3776 ✓	each	7552.00 ✓
3	Supplying and fixing sinage with fixing stand post for public toilet for visible to passersby	1	1000 ✓	Each	1000.00 ✓
4	Glow Sign board Name and contact details of the following are displayed prominently - Toilet Identification number , name of ULB under which	1	5000 ✓	each	5000.00 ✓
5	Installation of Sinage	1	2071 ✓	each	2071.00 ✓
6	Air freshner(pack of 4nos)	1	216 ✓	Each	216.00 ✓
7	Air freshner (Napthaline 250 gm)	1	210 ✓	Each	210.00 ✓
8	Supplying paper Napkin	1	50 ✓	Each	50.00 ✓
9	Supplying Sanitary Napkin (Whisper or similar make 50 pcs)	1	520 ✓	Each	520.00 ✓
10	Harpic (blue 500 ml)	1	300 ✓	Each	300.00 ✓
11	Harpic (Red 500 ml)	1	150 ✓	Each	150.00 ✓
12	Gala double lip floor wiper	1	350 ✓	Each	350.00 ✓
13	Colin glass or surface cleaner	1	200 ✓	Lit	200.00 ✓
14	Muriatic Acid	1	145 ✓	Lit	145.00 ✓
15	Bleaching powder	1	120 ✓	Kg	120.00 ✓
16	Dettol ,lifeboy or similar make liquid soap	2	140 ✓	Lit	280.00 ✓
17	Rubber hand gloves	1	80 ✓	Pair	80.00 ✓
18	Double side plastic brush	1	125 ✓	Each	125.00 ✓
19	Plastic Broom	1	170 ✓	Each	170.00 ✓
20	SMS/any other ICT based feedback system (With number displayed on which SMS has to be sent)	1	5000 ✓	each	5000.00 ✓
21	Mini Tulu Pump	1	4000 ✓	each	4000.00 ✓

22	supplying roaster /register for keeping acoount of regular cleanig	1	200 ✓	Each	200.00 ✓
23	Lettering on Toilet Wall for display of name and contact details of ULB ward number and name of maintanance authority , saniinspector, etc.	1	1000 ✓	each	1000.00 ✓
				Rs.	29439.00 ✓
			Total	Rs.	29439.00 ✓
	Add for Contingency @ 3 %			Rs.	883.17 ✓
			TOTAL	Rs.	30322.17 ✓
				Say Rs.	30322.00 ✓
Rupees Thirty Thousand Three Hundred Twenty Two Only					

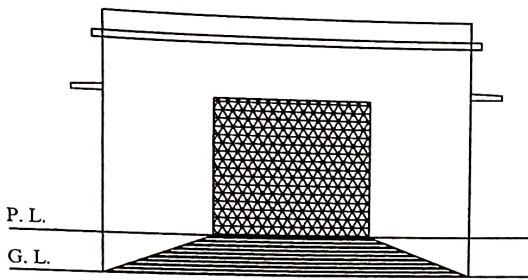

 23/09/25
 Sr. Engineer
 Birbhum Division
 M. E. Directorate
 Govt. of West Bengal


 18/09/25
 Sub-Assistant Engineer
 SAINTHIA MUNICIPALITY
 Sainthia, Birbhum

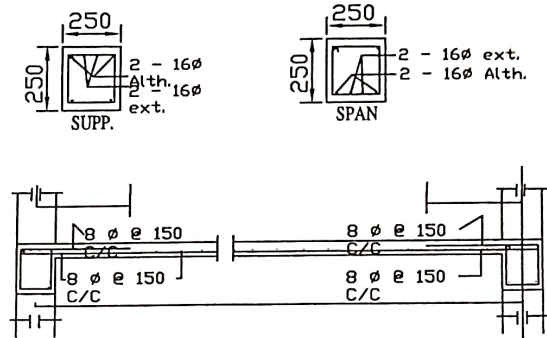

 Chairman
 SAINTHIA MUNICIPALITY
 Sainthia, Birbhum


 23/09/25
 Assistant Engineer
 Birbhum Division
 Municipal Engineering Directorate
 Govt. of West Bengal

CONSTRUCTION OF COMMUNITY TOILET AT CHAR MATHA MORE , BESIDE
 POLICE STATION, WARD-08, PLOT NO-, MOUZA-SAINTHIA, JL-95 UNDER
 SAINTHIA MUNICIPALITY OF WEST BENGAL
 Toilet Seats- 4 Nos and Urinal -5 Nos

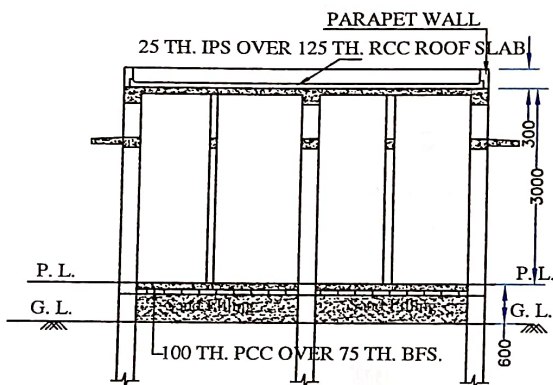


FRONT ELEVATION

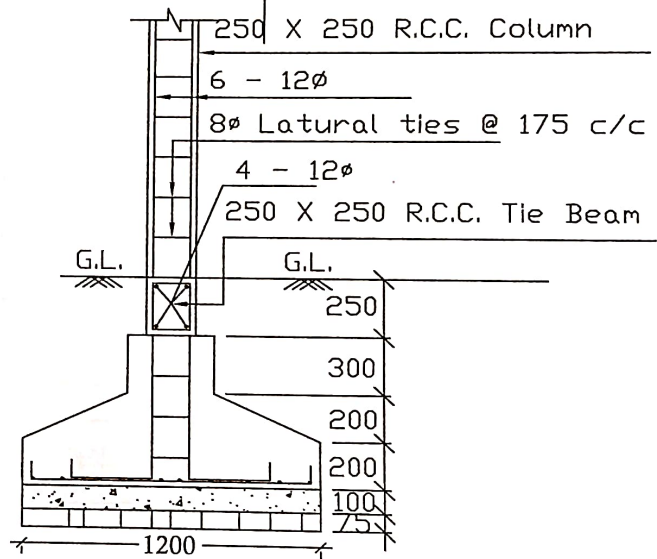


Details of R.C.C. Roof Slab & Beam

(SCALE - 1 : 25)

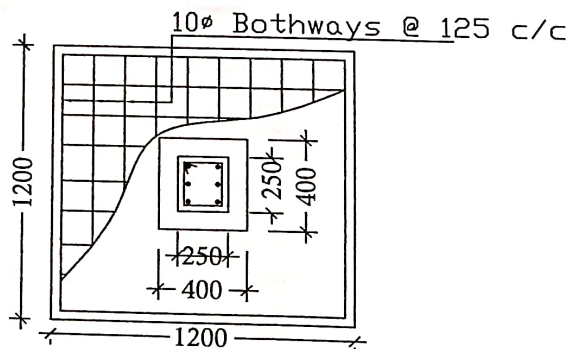
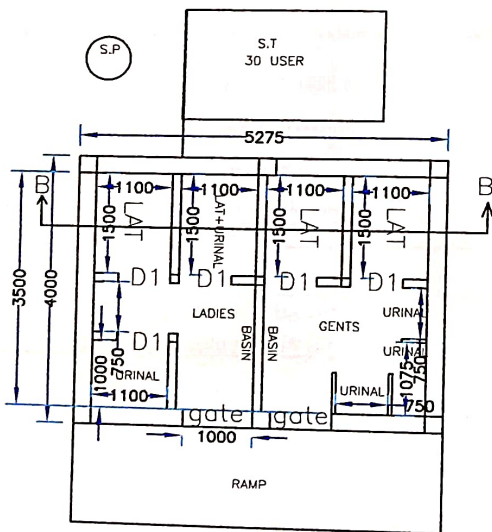


SECTION - 'B - B'



DETAILS OF R. C. C COLUMN

(SCALE - 1 : 25)



Sub-Assistant Engineer
 SAINTHIA MUNICIPALITY
 Sainthia, Birbhum

Chairman
 SAINTHIA MUNICIPALITY
 Sainthia, Birbhum