

SI.N	Item Description & Item No.	Quantity	Rate	Unit	Amount
93	Supplying, fitting and fixing glass shelf with aluminium guard rails. (a) Ordinary type with 5.5 mm sheet glass (i) 450 mm X 125 mm Sanitary and plumbing work schedule P-81, It-16(a)(i)	2.00	341.00	Each	682.00
				Total Rs.	794287.14
				Add : G.S.T-@18%	Rs. 142971.69
				Cost of Civil Work	Total Rs. 937258.83
				Add: Labour Welfare Cess-@ 1%	Rs. 9372.59
				Add: Contingency-@ 3%	Rs. 28117.76
				Total Amount Including L.W.C & Contingency	Total Rs. 974749.18
				Say Rs.	974749.00

PART - B (NON-SCHEDULE ITEMS)

MODEL NO - A NON SCHEDULE WORKS

94	Non Shedule Item Sl. No. 91-106 (Order as per SUDA) standard plastic dustbin (12lits)	5	350	Each	1750.00
95	Sinage APC based & Reflective vinyl	5	3776	each	18880.00
96	Supplying and fixing sinage with fixing stand post for public toilet for visible to passersby	5	1000	Each	5000.00
97	Glow Sign board Name and contact details of the following are displayed prominently - Toilet Identification number , name of ULB under which jurisdiction toilet is coverwd , ward number and maintanance authority prominently displayed for each toilet block supervisor, supervisor's agency and area sanitary inspector.	1	5000	each	5000.00
98	Installation of Sinage	1	2071	each	2071.00
99	Air freshner(pack of 4nos)	8	216	Each	1728.00
100	Air freshner (Napthaline 250 gm)	5	210	Each	1050.00
101	Supplying paper Napkin	5	50	Each	250.00
102	Supplying Sanitary Napkin (Whisper or similar make 50 pcs)	4	520	Each	2080.00
103	Harpic (blue 500 ml)	4	300	Each	1200.00
104	Harpic (Red 500 ml)	4	150	Each	600.00
105	Gala double lip floor wiper	4	350	Each	1400.00
106	Colin glass or surface cleaner	2	200	Lit	400.00
107	Muriatic Acid	2	145	Lit	290.00
108	Bleaching powder	4	120	Kg	480.00
109	Dettol ,lifeboy or similar make liquid soap	8	140	Lit	1120.00
110	Rubber hand gloves	6	80	Pair	480.00
111	Double side plastic brush	6	125	Each	750.00
112	Plastic Broom	4	170	Each	680.00
113	SMS/any otherICT based feedback system (With number displayed on which SMS has to be sent)	1	5000	each	5000.00
114	Mini Tulu Pump	1	4000	each	4000.00



SI.N	Item Description & Item No.	Quantity	Rate	Unit	Ammount
115	supplying roaster /register for keeping acoount of regular cleanig	3	200	Each	600.00
116	Lettering on Toilet Wall for display of name and contact details of ULB ward number and name of maintainance authority , saniinspector, etc.	1	1000	each	1000.00
				Total Rs.	55809.00
	Add: Labour Welfare Cess-@ 1%			Rs	558.09
	Add: Contingency-@ 3%			Rs	1674.27
	Total Amount Including L.W.C & Contingency			Total Rs.	58041.36
				Say Rs.	58041.00
	PART- A TOTAL AMOUNT			Rs	974749.00
	PART- B TOTAL AMOUNT			Rs	58041.00
	GRAND TOTAL			Rs	1032790.00

Necessary NOC should be taken from
respective land woner for public use
of C.T./P.T.

[Signature]
Sub. Assistant Engineer
North Dum Dum Municipality

[Signature]
Assistant Engineer
North Dum Dum Municipality

[Signature]
Chairman
North Dum Dum Municipality

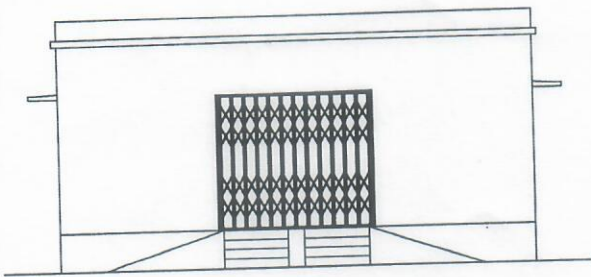
[Signature]
19/06/2025
Junior Engineer (Civil)
North 24-Parganas Division, M.E.Dte.
Deptt. of U.D & M.A
Govt. of West Bengal

[Signature]
19/06/25
Assistant Engineer (Civil)
North 24 Pgs Divn., M.E.Dte

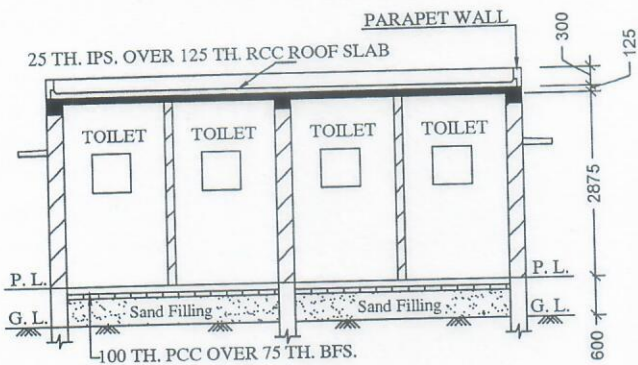
[Signature]
Executive Engineer
North 24 Pgs Divn. M.E.Dte



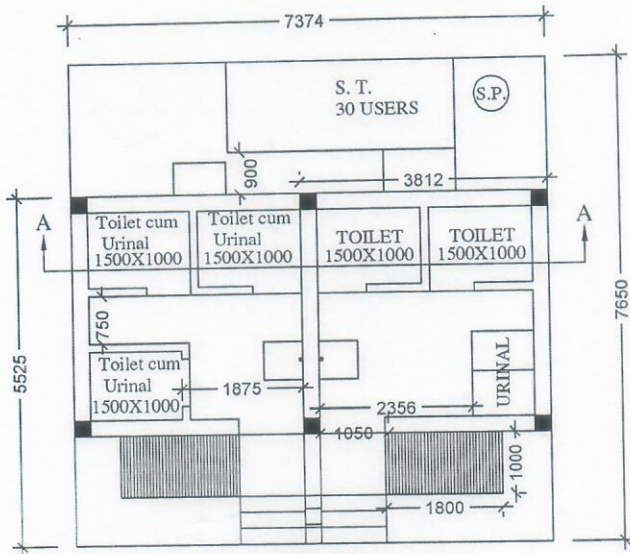
MODEL DRAWING FOR CONSTRUCTION OF C. T./P.T
 Toilet Seats - 5 Nos Urinal 5 Nos
 MODEL NO.- A



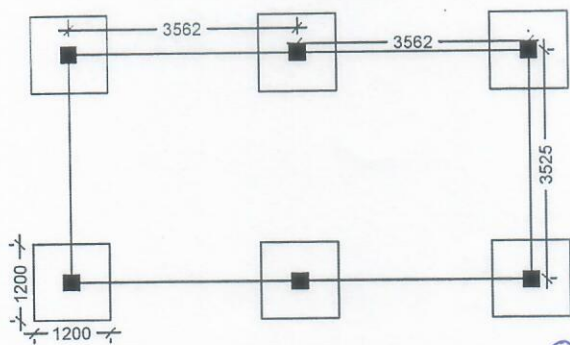
FRONT ELEVATION



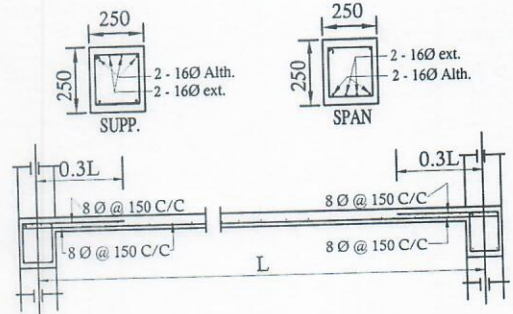
SECTION - 'A - A'



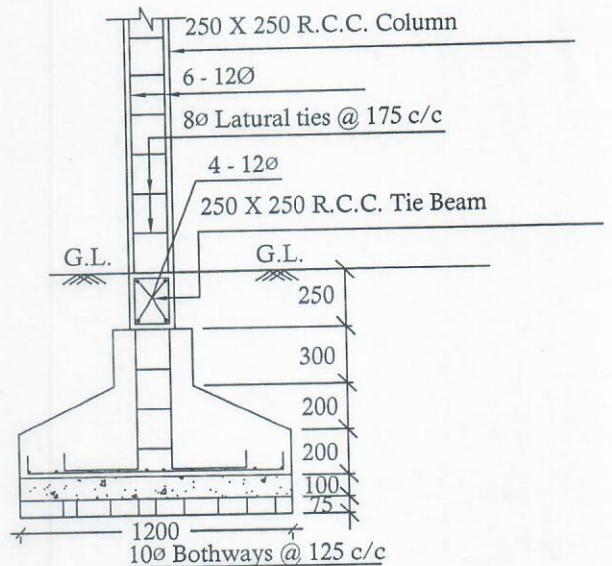
PLAN



LAYOUT PLAN



Details Of R.C.C Roof Slab & Beam
 (SCALE - 1 : 25)



DETAILS OF R. C. C COLUMN
 (SCALE - 1 : 25)



Sub. Assistant Engineer
 North Dum Dum Municipality

Assistant Engineer
 North Dum Dum Municipality

Chairman
 North Dum Dum Municipality