

Halisahar Ramprasad Vidyapith (H.S)

(Govt. Sponsored Co-Educational Higher Secondary School)
INDEX NO. BI-079 * H.S. CODE NO. 103284, D. Code- 19112901507

From :
President / Secretary
Ref. No.
Date.....20.....



Halisahar Railway Colony
P.O. Nabanagar, Dist. 24 Pgs. (N)
P.S.- Halisahar, PIN - 743136
Ph. No. : 70037 82615
E-mail : halisahar.ramprasad@gmail.com

MEMO No.

DATE :

To
The Chairman
Halisahar Municipality
Halisahr North 24 Parganas

Subject: Sending necessary documents for setting up New Toilet within our ~~School~~ Premises.

Dear Sir,

I, hereby sending you all necessary documents attached herewith in respect of setting up New Toilet within our ~~school~~ premises through Mission Nirmal Bangla under your laudable initiative.

I shall be highly obliged if you kindly take necessary action.

Thanking You

Subhasish Mukhopadhyay
30/09/24

Signatory Authority
Subhasish Mukhopadhyay
Headmaster / Secretary
Halisahar Ramprasad Vidyapith (H.S.)
Nabanagar, 24 Pgs. (N)



पश्चिमबङ्ग पश्चिम बंगाल WEST BENGAL

97AB 848572

To
The Chairman
Halisahar Municipality
Halisahar, North 24 Parganas

Subject: 'No-Objection' for setting up Toilet Complex under Mission Nirmal Bangla scheme within our School Premises.

Dear Sir,

I wish to inform you that there is 'No Objection' from (Halisahar Ramprasad Vidyapith, Ward No-15 Halisahar) if toilet complex is being set up under Mission Nirmal Bangla scheme within the school premises for the benefit of School Children.

Thanking You,

Head Master/ Head Mistress/TIC

(Halisahar Ramprasad Vidyapith, Ward No-15 Halisahar)

Subhasish Mukhopadhyay
Headmaster / Secretary
Halisahar Ramprasad Vidyapith (H.S.)
Nabansagar, 24 Pgs. (N)

Annexure-III

Site Inspection Report for construction of CT/PT

Date : 10.09.2024

| | | |
|--|--|--------------------------------------|
| ULB Name | HALISAHAR MUNICIPALITY | |
| Ward No | 15 | |
| Name of the proposed site | RAMPRASAD VIDYAPITH (H.5) | |
| Address | HALISAHAR WARD NO:- 15 | |
| Category CT/PT | INSTITUTE (PT) | |
| Necessary Land Details | Whether the Land is belongs to the ULB/Other (If Other please specify) | OTHER |
| | Dag No., Khatian No., J.L. No. & other plot information. | PLOT NO- 70,71 MOUZA- JADUNATH BATI |
| | No objection Certificate received from the concerned authority | YES |
| Nearest location of CT/PT (approx distance in meter) | NA | |
| Proposed no of Toilet seats | Male | 2.0 |
| | Female | 2.0 |
| Proposed no of Urinal seats | Male | 2.0 |
| | Female | 2.0 |
| To be constructed as Aspirational Toilet or Normal Toilet (only) | Aspirational/Normal | NORMAL |
| Area required for Public Toilets | 4 to 5 sq. meters per 10 toilet seats: Min. 1.5 m x 1.2 m | MODEL-A |
| Area requirement details in sq mm for Community Toilets | Toilet Cubical (Optimum=900x1200, Minimum=750x900) | 1500 X 1000 |
| | Urinal (Minimum=500x600) | 750 X 600 |
| Space identified for installation of Soakpit and Soak Well | YES | |
| Availability of surface water/piped water supply (in details) | AVAILABLE | |
| Operation and Maintenance plan in detail | SCHOOL | |
| Remarks if any: | | |
| Representative assigned from Hijji Inspiration for the site inspection | Name & Designation | SHAHID ANWAR ANSARI (Civil Engineer) |
| | Contact No | 7980028462 |
| | Signature with Seal | |
| Representative assigned from the ULB for the site inspection | Name & Designation | PRADYOT MAZUMDAR (S.A.E) |
| | Contact No | 9804280034 |
| | Signature with Seal | |

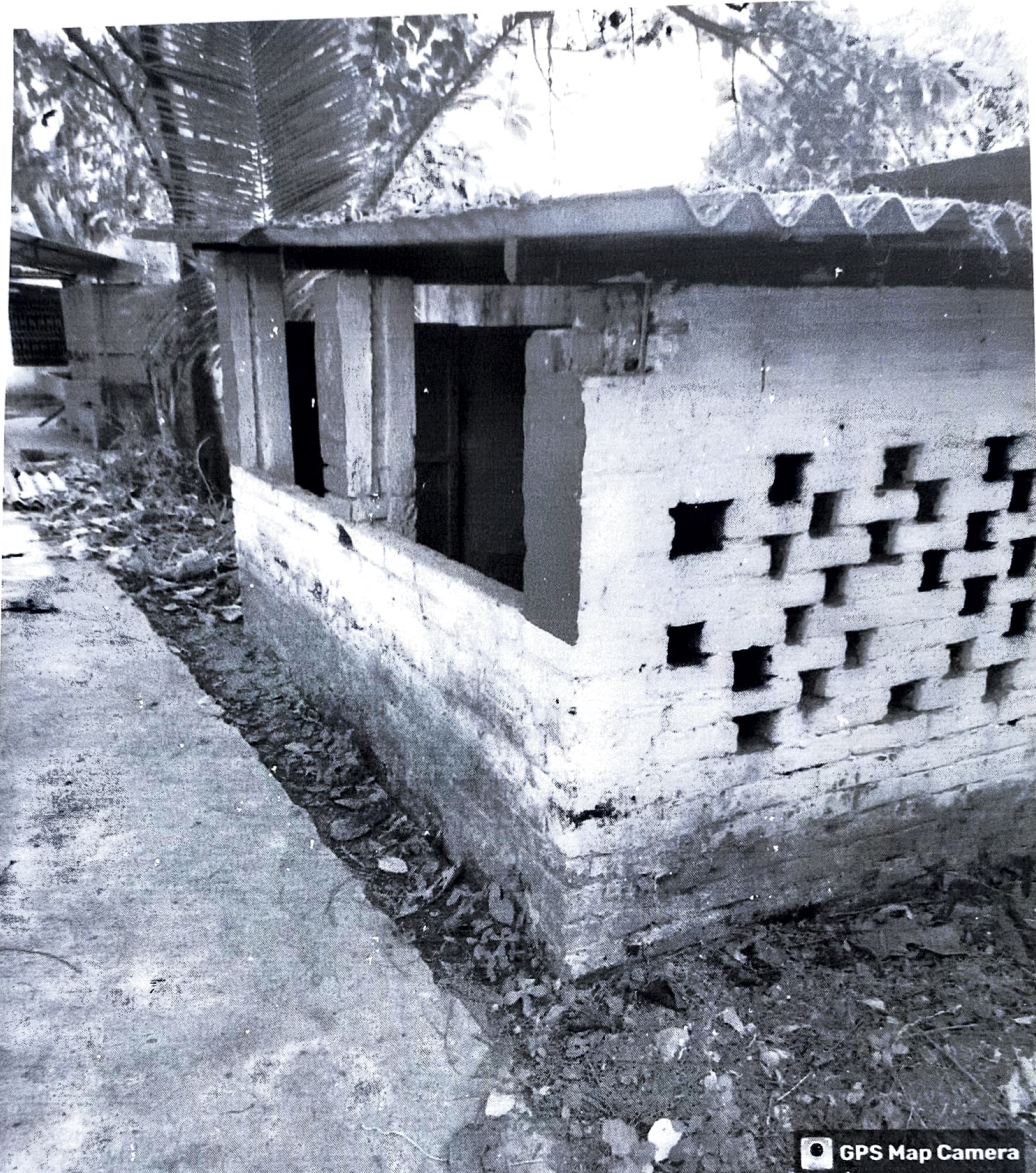


Checked & Verified

 Engineer (Civil)
 Hijji INSPIRATION

Sub-Assistant Engineer
 Halisahar Municipality

Chairman,
 Halisahar Municipality

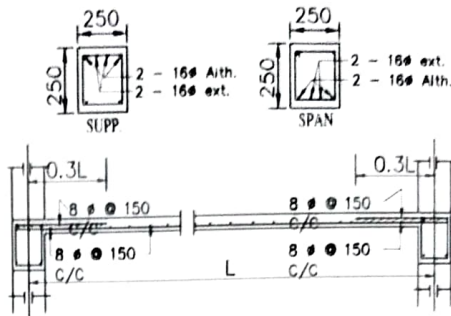
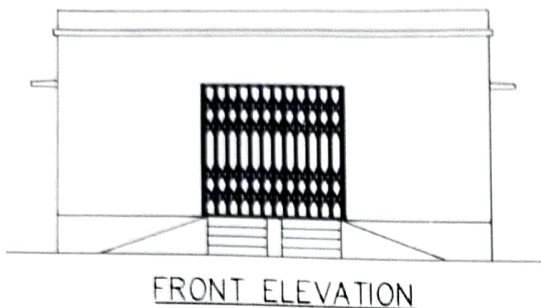


GPS Map Camera



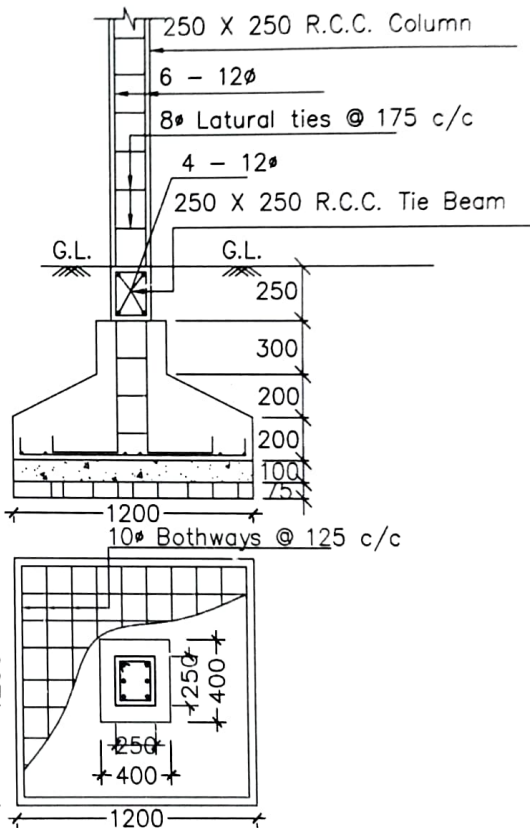
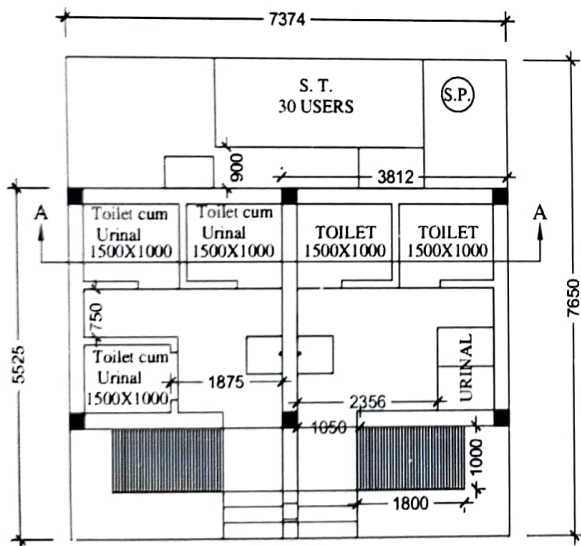
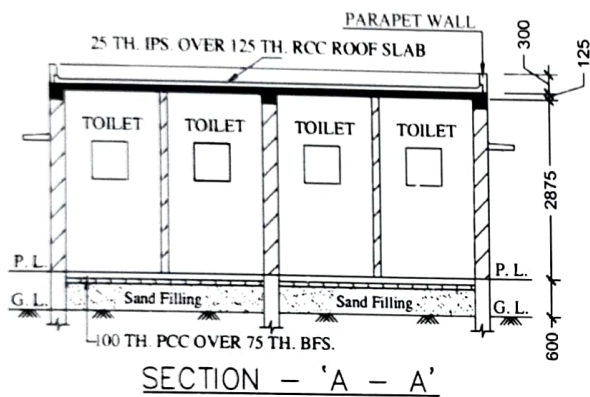
Kanchrapara, West Bengal, India
Wccm+96j, 27/7, Nabanagar Main Rd, Halisahar Railway North
Colony, Naihati, Halisahar, Kanchrapara, West Bengal 743134, India
Lat 22.920882° Long 88.43311°
23/11/24 01:56 PM GMT +05:30

MODLE DRAWING FOR CONSTRUCTION OF C. T./P.T.
 Toilet Seats - 5 Nos Urinal 5 Nos
 MODLE NO.- A



Details Of R.C.C Roof Slab & Beam

(SCALE - 1 : 25)



DETAILS OF R. C. C COLUMN

(SCALE - 1 : 25)